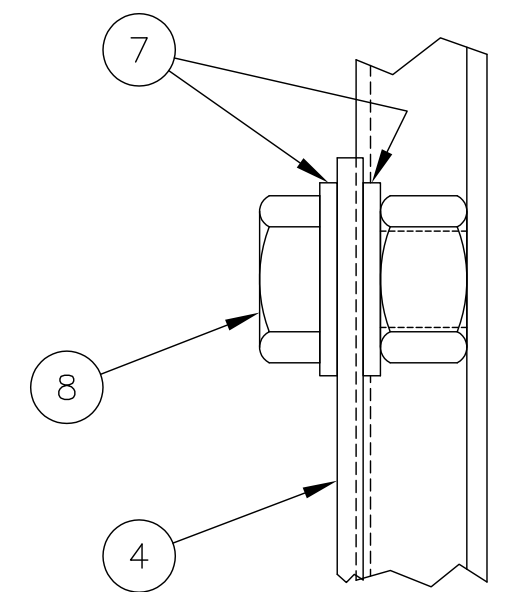
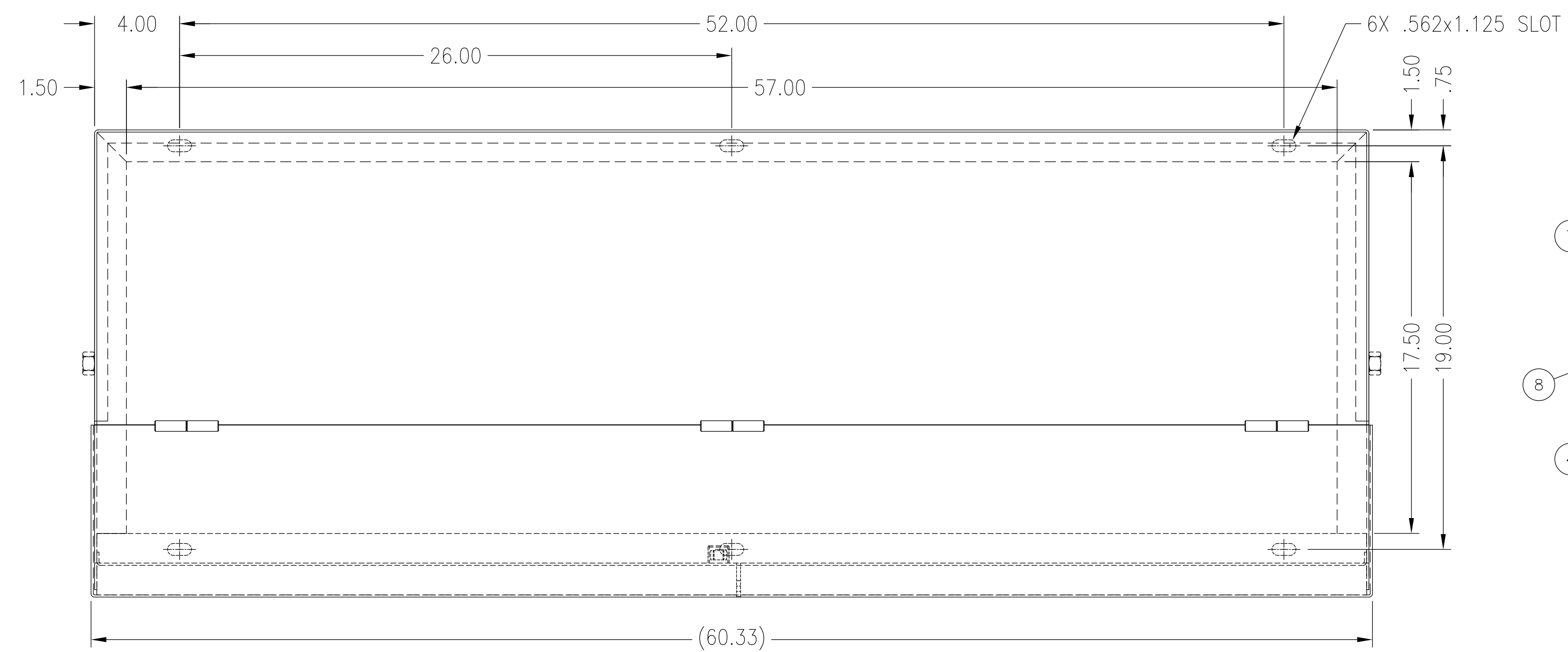
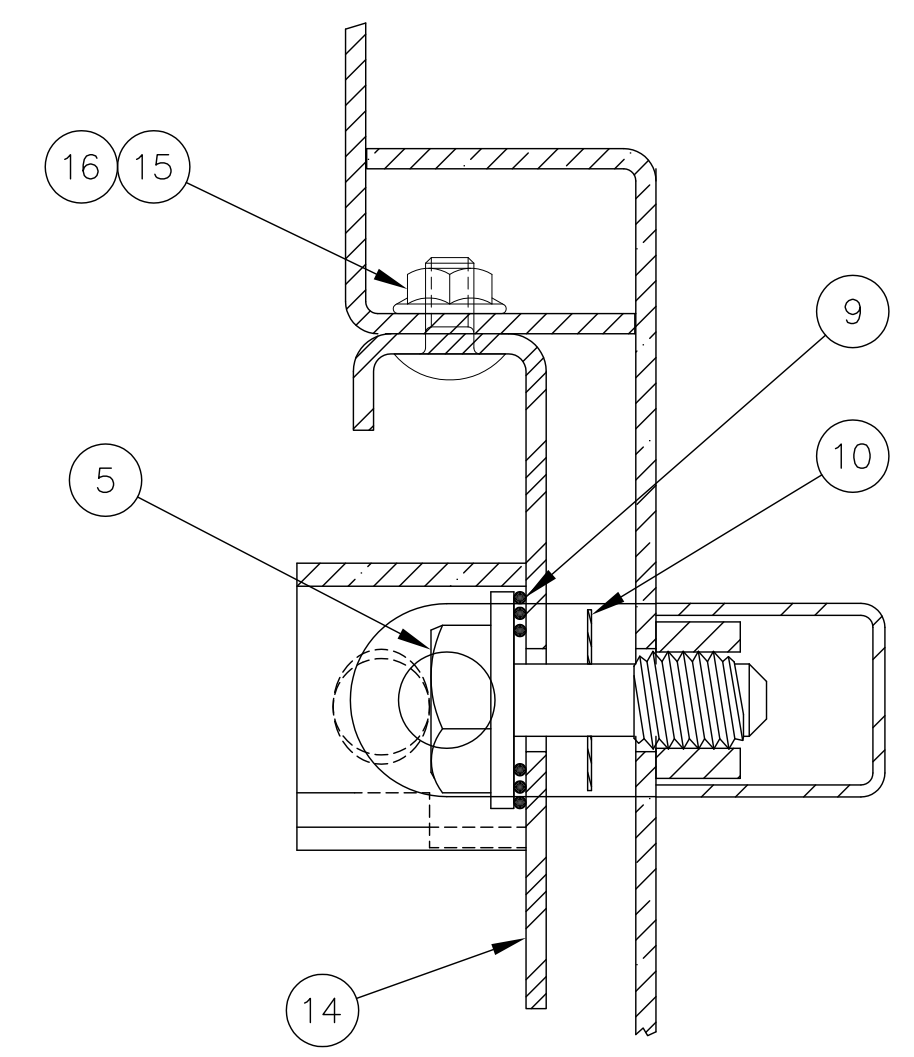


* 63388005ALN COMPONENT

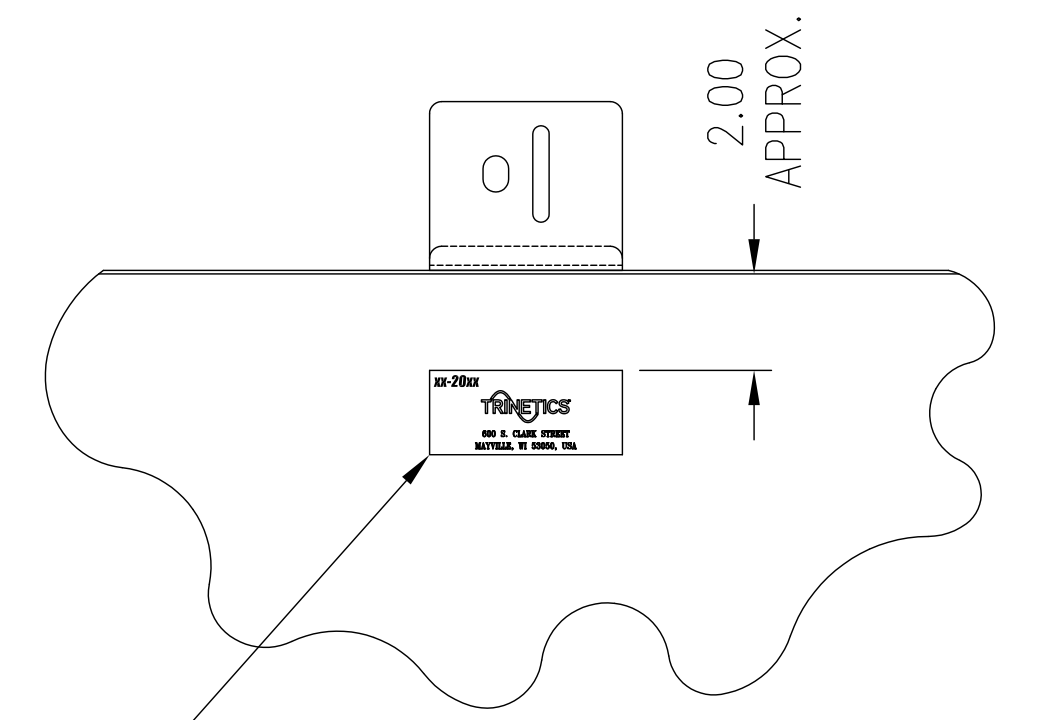
| ITEM | QTY | PART # | DESCRIPTION | MATERIAL |
|------|-----|------------|--------------------------|------------|
| 1* | 1 | 63388105 | BODY WELDMENT | #12GA HRPO |
| 2* | 1 | 63388207 | COVER WELDMENT | #12GA HRPO |
| 3 | 3 | 63223203 | MOUNTING BAR | #14GA HRPO |
| 4 | 1 | 63380300 | WIND STOP | #10GA HRPO |
| 5 | 1 | 61216202 | PENTA BOLT | |
| 6 | 6 | 92078120 | 5/16-18x1.25 HHCS | |
| 7 | 2 | 92601305 | 1/2 FLAT WASHER | STN STL |
| 8 | 1 | 92138116 | 1/2-13x1.0 HHCS | STN STL |
| 9 | 1 | 612079 | 1/2 SPRING | |
| 10 | 1 | 612048 | 1/2 ONE WAY WASHER | |
| 11 | .17 | 61208402 | NEOPRENE GASKET | |
| 12 | 1 | 617204 | DECAL NAME & LOGO | |
| 13* | A/R | 617055 | MUNSELL GREEN POWDER | PAINT |
| 14 | 1 | 73189605 | HANDLE WELDMENT | |
| 15 | 2 | 9205A108 | 1/4-20x.50 CARRIAGE BOLT | STN STL |
| 16 | 2 | 92251706WX | 1/4-20 WHIZ LOCK NUT | STN STL |
| 17 | 2 | 612129 | CAPLUG | |



DETAIL "B"

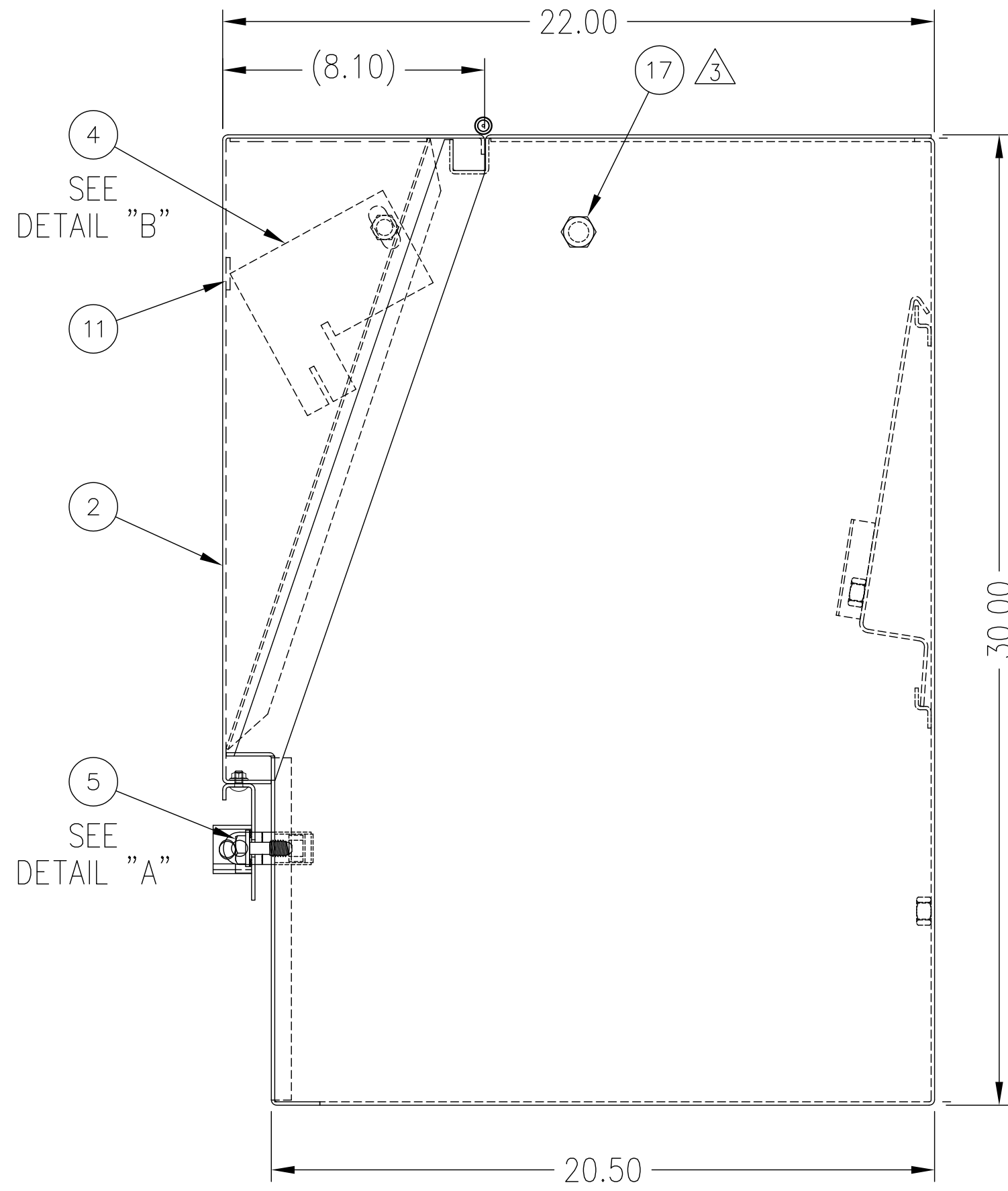
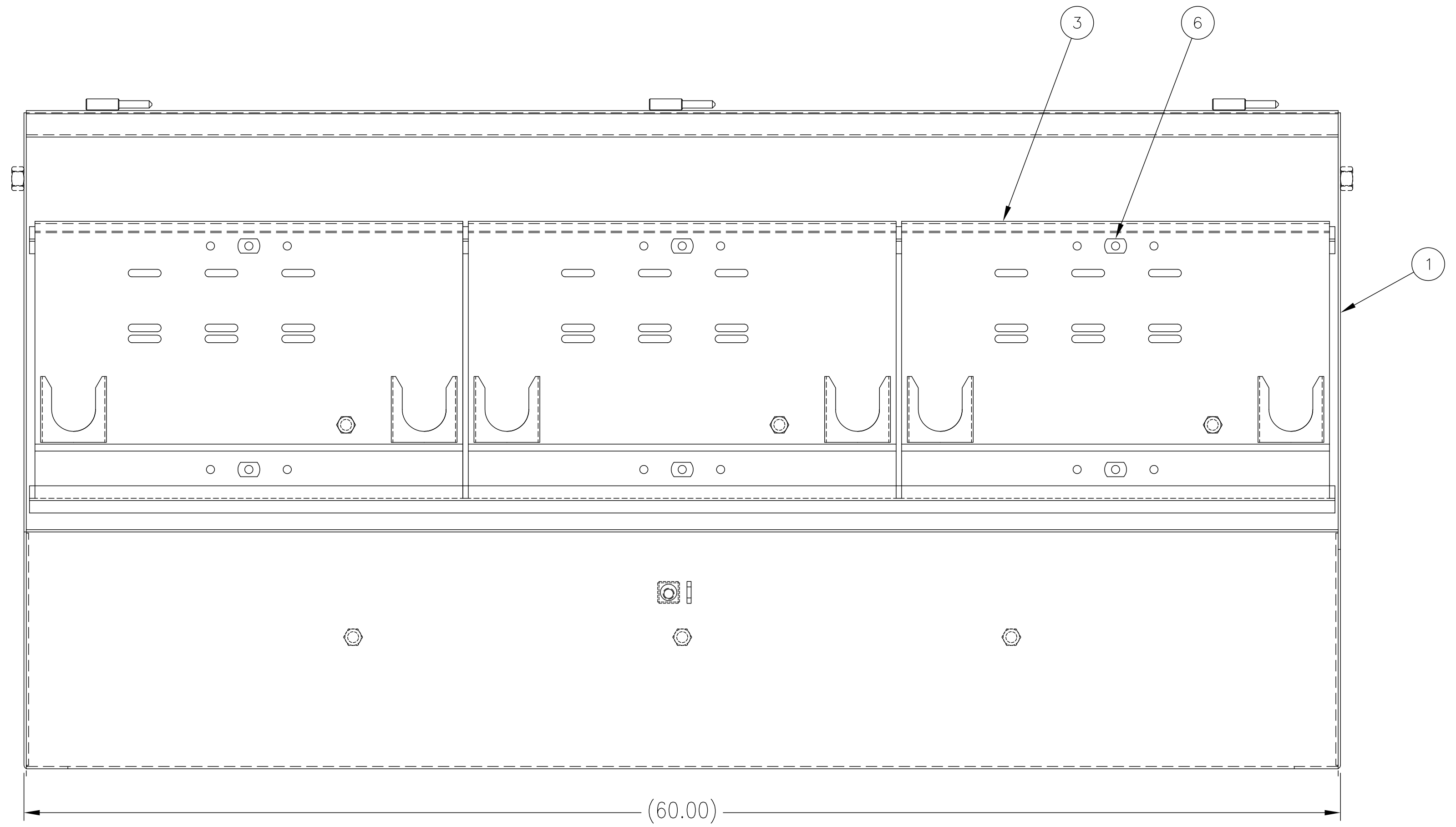


DETAIL "A"



12 - CENTERED ON COVER AND READABLE WITH COVER IN OPEN POSITION

VIEW OF INSIDE OF COVER IN OPEN POSITION



| REV ERN # | DESCRIPTION | DATE BY |
|----------------|---------------|-----------------|
| 003 5.00283 | ADDED CAPLUGS | 11/11/20 MM |
| 002 63329 | REVISED | 04/09/99 WK |
| 001 62478 | REVISED | 10/21/97 WK |
| 000 2399 | NEW RELEASE | 06/16/92 MLP |

| | | | |
|--|------------------------|---|------------------|
| TOL. UNLESS NOTED X ±.06 XX ±.03 XXX ±.015 ANGLES ±1° FLATS ±.005 | THIRD ANGLE PROJECTION | THIS DRAWING AND ALL INFORMATION THEREON IS THE SOLE PROPERTY OF TRINETICS. IT MUST NOT BE COPIED, REPRODUCED OR SUBMITTED TO OTHERS WITHOUT WRITTEN AUTHORIZATION. ALL REPRODUCTIONS ARE SUBJECT TO RETURN ON DEMAND. ALL DIMENSIONS ARE IN INCHES UNLESS OTHERWISE SPECIFIED. | TRINETICS |
| NEXT ASSEMBLY | | TH-FINAL ASSEMBLY #12GA (.1046) HRPO STEEL CC360-22TH (R) | |
| SIMILAR TO | | DRAWN BY MLP | DATE 06/16/92 |
| WEIGHT | SCALE 1/4 | CURRENT ERN 50000000283 | REV 003 |
| SIZE FAMILY ID D P100 | SHEET 1 OF 1 | PART NUMBER 63388005 | |