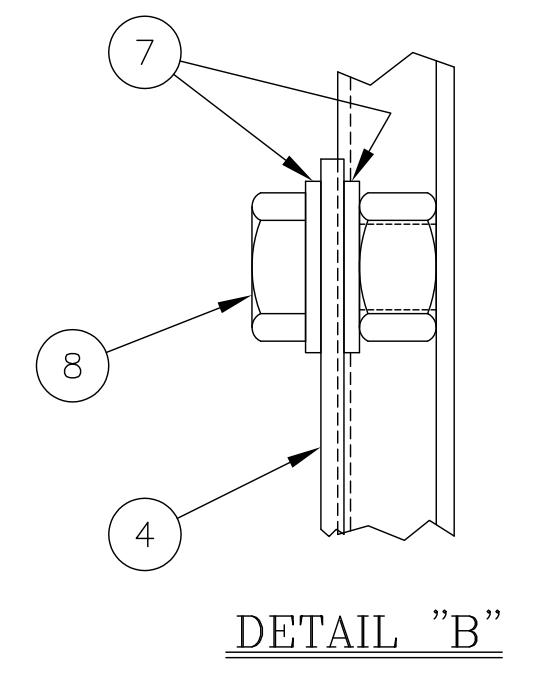
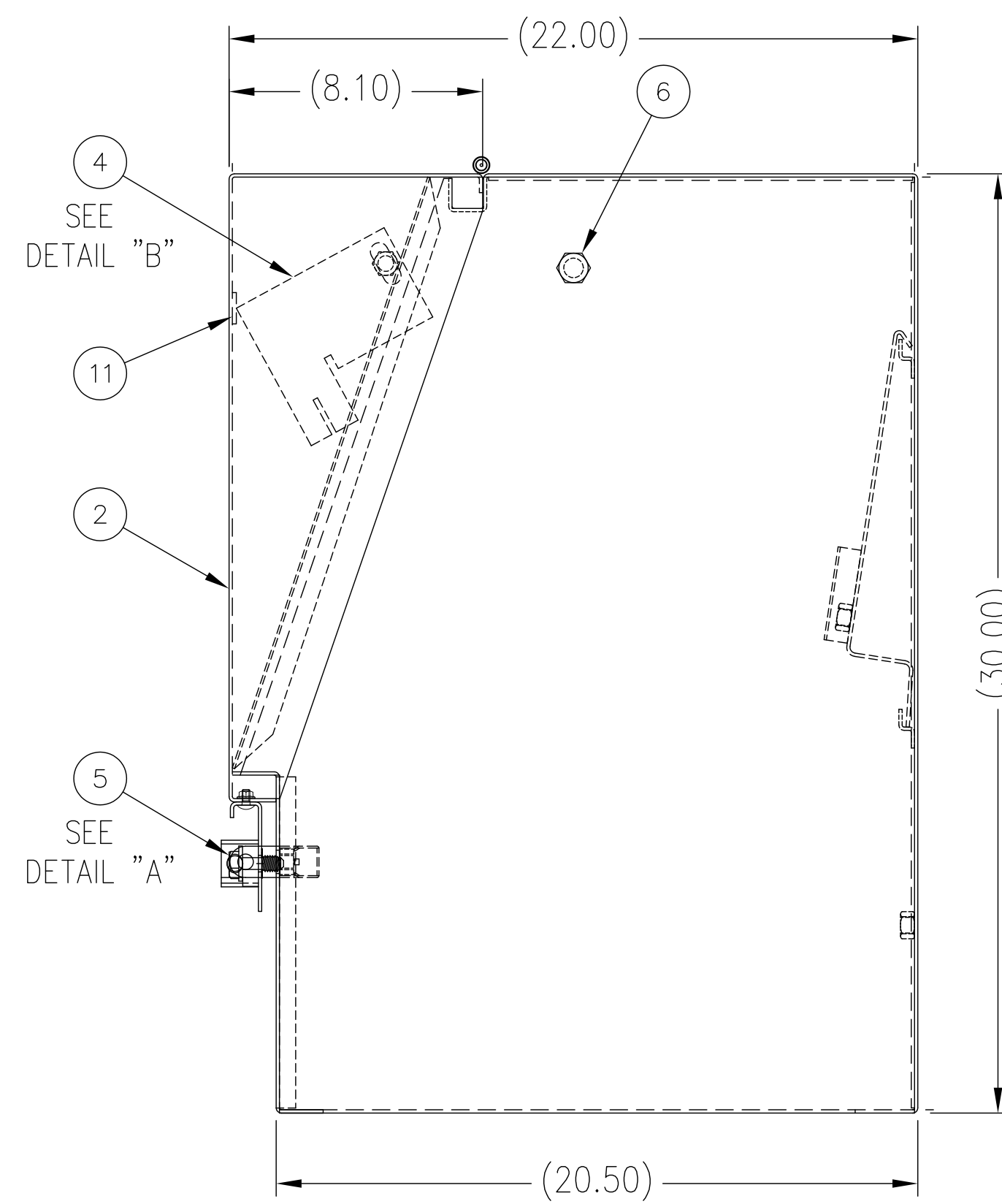
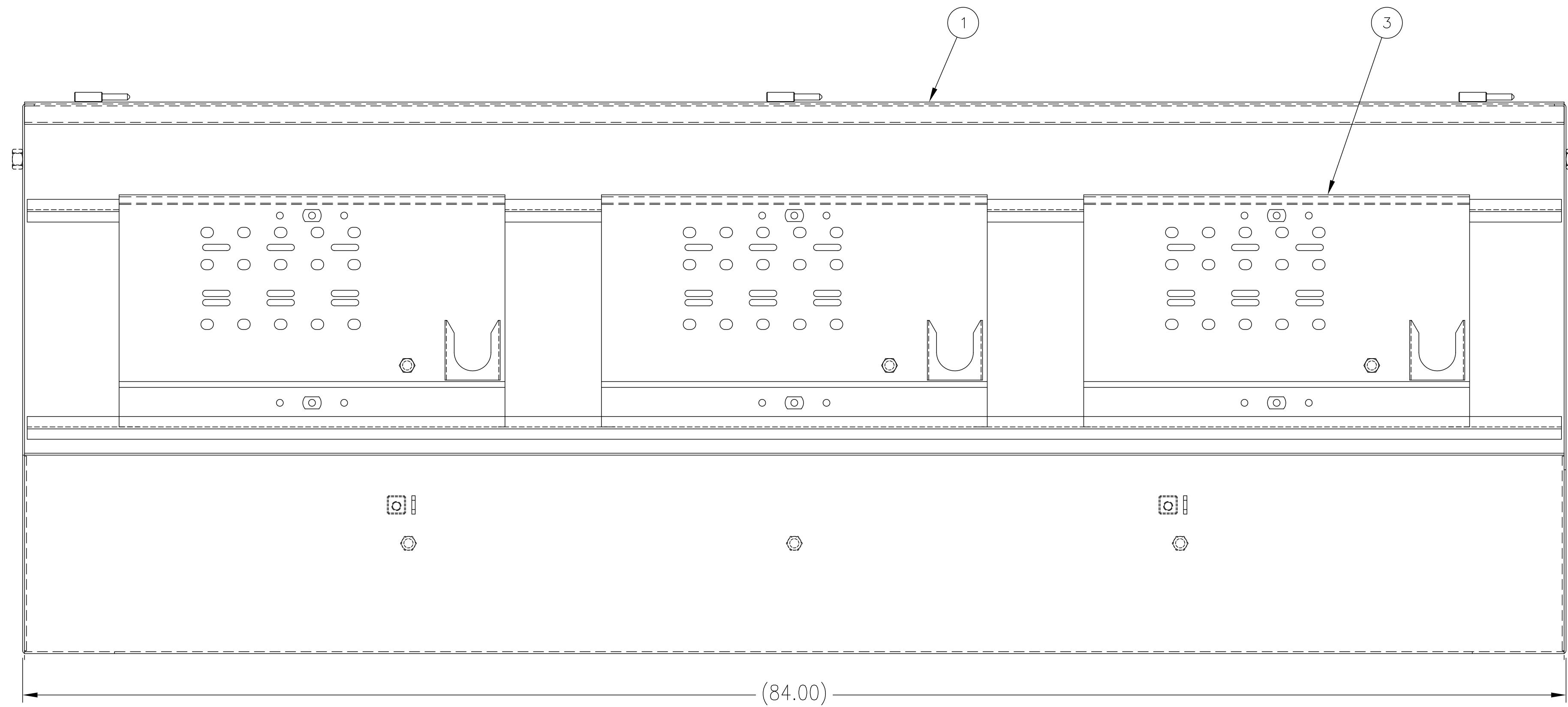
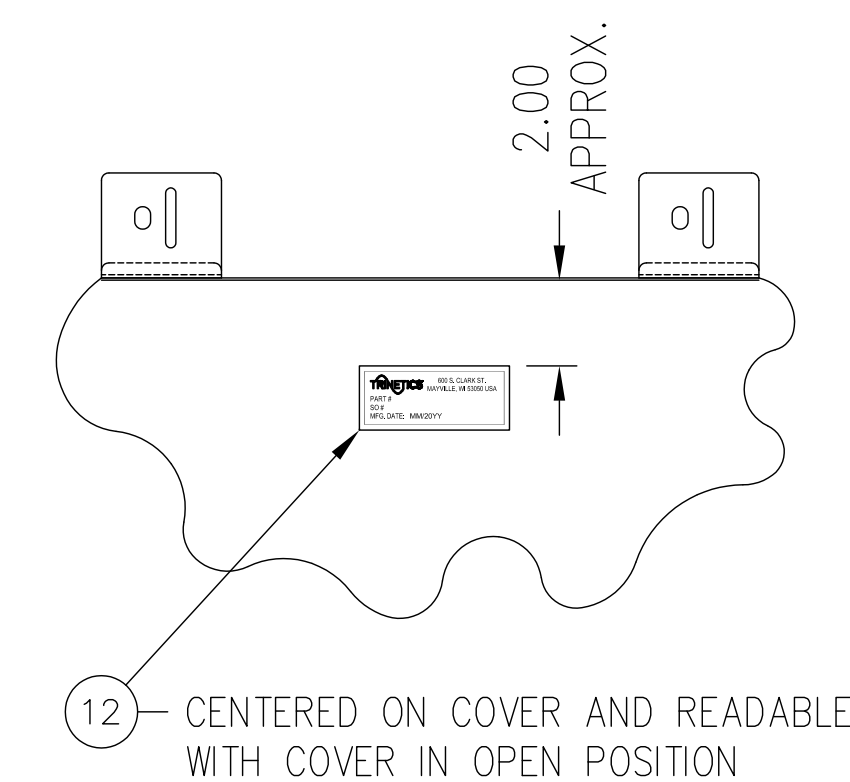


ITEM	QTY	PART #	DESCRIPTION	MATERIAL
1*	1	63396111	BODY WELDMENT	#12GA #304
2*	1	63388242	COVER WELDMENT	#12GA #304
3	3	63223274	MOUNTING BAR	#12GA #304
4	2	63380302	WIND STOP	#10GA #304
5	2	61216202	PENTA BOLT	S.S.
6	2	612129	CAPLUG	
7	4	92601305	1/2 FLAT WASHER	S.S.
8	2	92138116	1/2-13x1" LG. HHCS	S.S.
9	2	612079	1/2 SPRING	
10	2	612048	1/2 ONE WAY WASHER	
11	.17	61208402	NEOPRENE GASKET	
12	1	617204	DECAL NAME & LOGO	
13*	A/R	617055	MUNSELL GREEN POWDER	
14	2	73189614	HANDLE WELDMENT	S.S.
15	4	9205A108	1/4-20x.50 CARRIAGE BOLT	S.S.
16	4	92251706WX	1/4-20 WHIZ LOCK NUT	S.S.
17*	.25	61721215	PALLET 90x48	



REV	DESCRIPTION	DATE BY
003	REVIS	06/28/00 PST
002	REVIS	05/02/00 PST
001	REVIS	02/18/00 CLV
000	NEW RELEASE	05/28/98 SWK

TOL. UNLESS NOTED X ±.06 XX ±.03 XXX ±.015 ANGLES ±1° FLATS ±.005	THIRD ANGLE PROJECTION	THIS DRAWING AND ALL INFORMATION THEREON IS THE SOLE PROPERTY OF TRINETICS. IT MUST NOT BE COPIED, REPRODUCED OR SUBMITTED TO OTHERS WITHOUT WRITTEN AUTHORIZATION. ALL REPRODUCTIONS ARE SUBJECT TO RETURN ON DEMAND. ALL DIMENSIONS ARE IN INCHES UNLESS OTHERWISE SPECIFIED.	TRINETICS
NEXT ASSEMBLY		TH-FINAL ASSEMBLY	
SIMILAR TO		#12GA (.1046) #304 SS	
DRAWN BY SWK		DATE 05/28/98	
WEIGHT 228 LBS		SCALE 7/32	
SIZE FAMILY ID D 305		SHEET 1 OF 1	
CURRENT ERN 63867	REV 003	PART NUMBER 63488009	