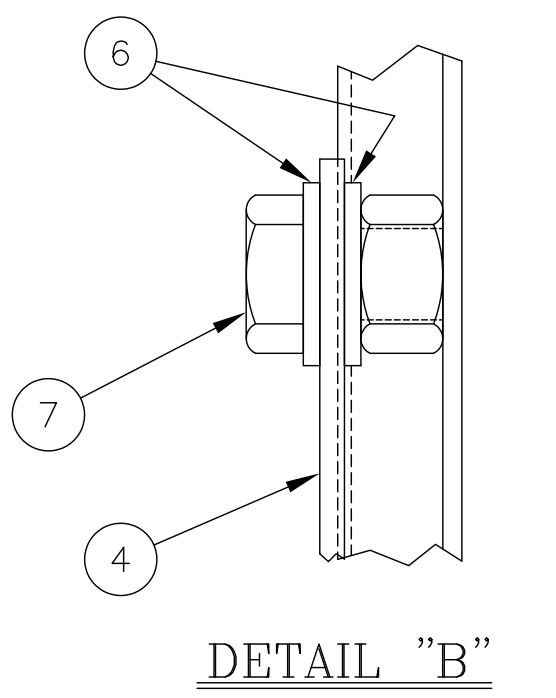
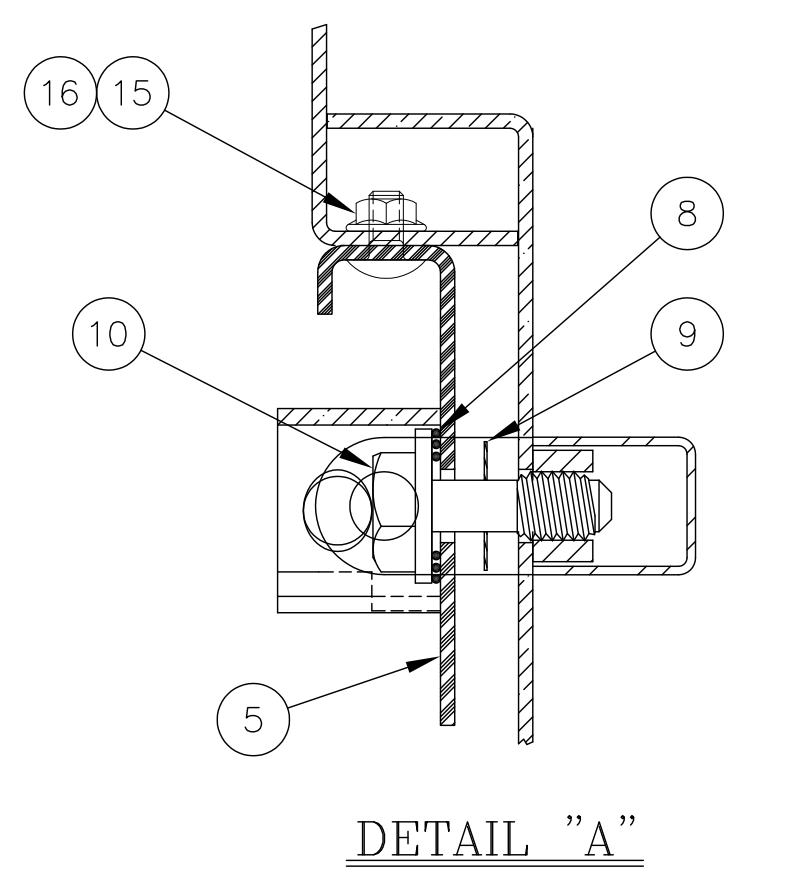
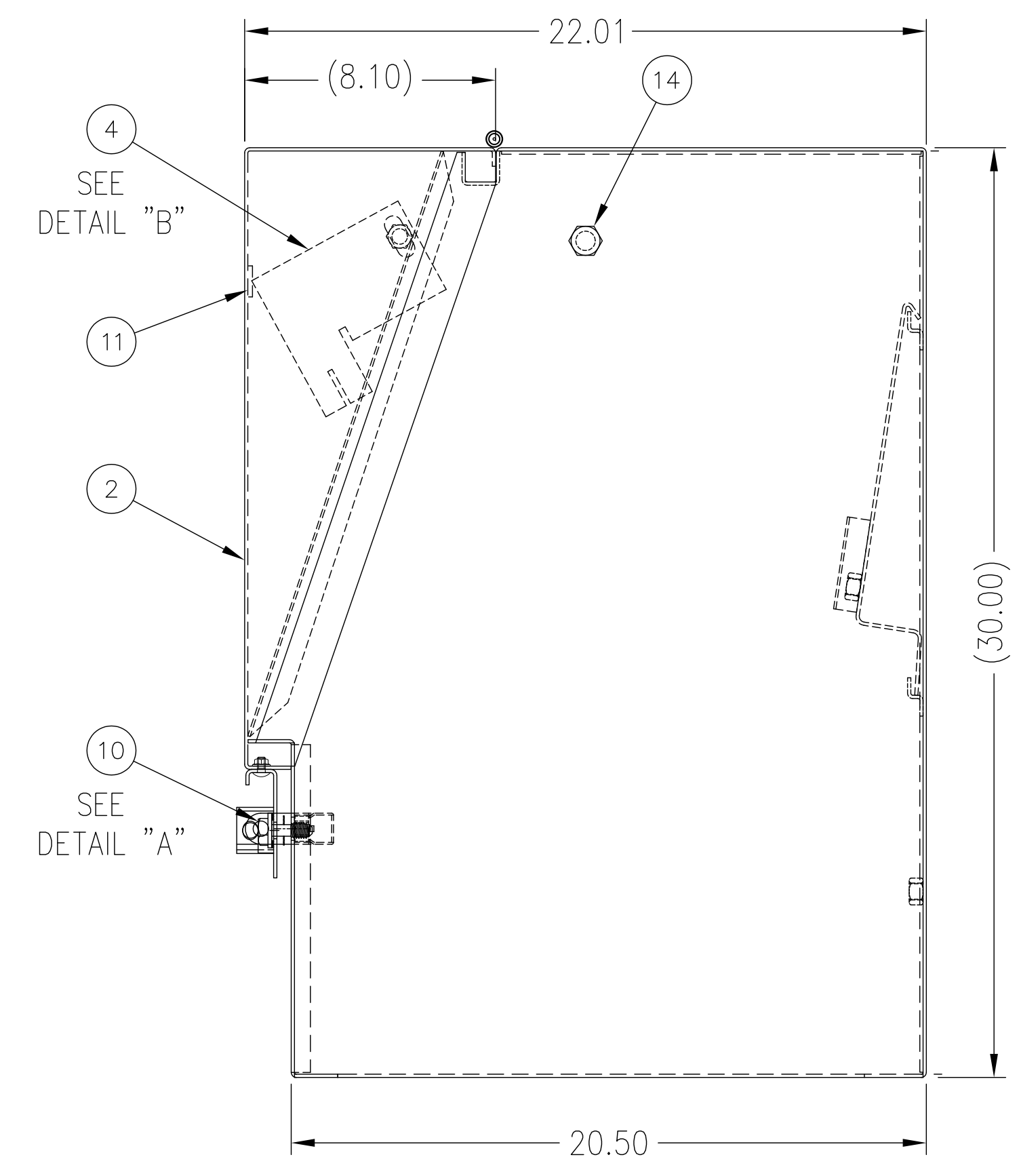
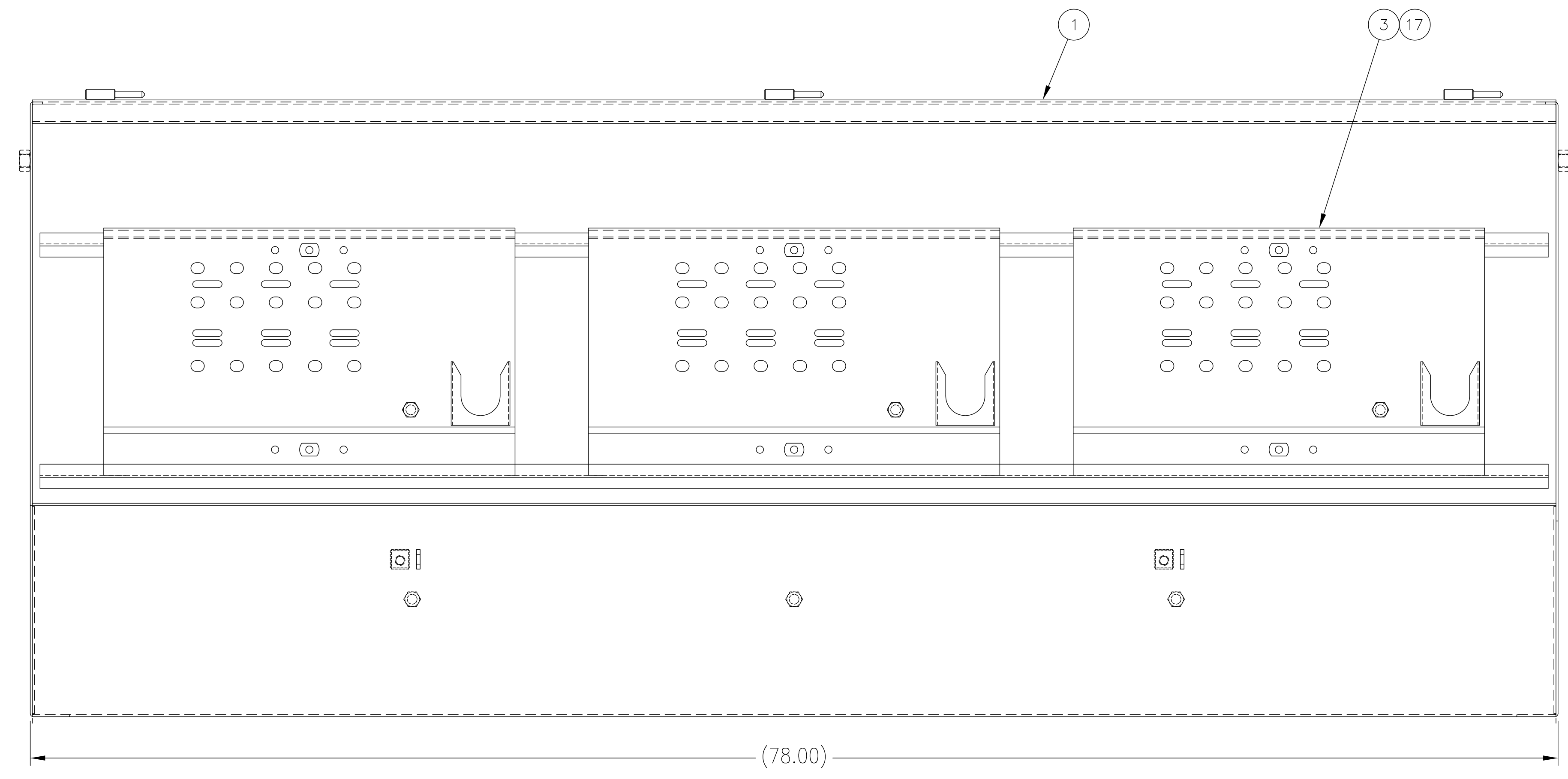


VIEW OF INSIDE OF COVER IN OPEN POSITION

ITEM	QTY	PART #	DESCRIPTION	MATERIAL
1*	1	63396129	BODY WELDMENT	12GA 304SS
2*	1	63388269	COVER WELDMENT	12GA 304SS
3	3	63223274	MOUNTING BAR 200/600A	#12GA SST
4	2	63380302	WIND STOP	#12GA SST
5	2	73189614	HANDLE WELDMENT	STN STL
6	4	92601305	1/2 FLAT WASHER	STN STL
7	2	92138116	1/2-13x1.00 HX HD CAP SCR	STN STL
8	2	612079	1/2 SPRING	STN STL
9	2	612048	1/2 ONE WAY WASHER	STN STL
10	2	61216202	1/2-13 PENTA BOLT	STN STL
11	.34'	61208402	NEOPRENE GASKET	
12	1	617204	DECAL NAME & LOGO	DECAL
13*	A/R	617055	MUNSELL GREEN POWDER	PAINT
14	2	612129	CAPLUG, 5/8"	
15	4	9205A108	1/4-20x.50 CARRIAGE BOLT	STN STL
16	4	92251706WX	1/4-20 WHIZ LOCK NUT	STN STL
17	6	92078120FT	5/16-18x1-1/4 HEX HD SC	



TOL. UNLESS NOTED X ±.06 XX ±.03 XXX ±.015 ANGLES ±1° FLATS ±.005	THIRD ANGLE PROJECTION	THIS DRAWING AND ALL INFORMATION THEREON IS THE SOLE PROPERTY OF TRINETICS. IT MUST NOT BE COPIED, REPRODUCED OR SUBMITTED TO OTHERS WITHOUT WRITTEN AUTHORIZATION. ALL REPRODUCTIONS ARE SUBJECT TO RETURN ON DEMAND. ALL DIMENSIONS ARE IN INCHES UNLESS OTHERWISE SPECIFIED.	TRINETICS
NEXT ASSEMBLY	TH - FINAL ASSEMBLY		
SIMILAR TO	#12GA (.1046) 304-2B SS		
DRAWN BY PST	DATE 02/12/03	CC378-22TH(R)-304-2B-SS	
WEIGHT	SCALE 15/64	CURRENT ERN 65111	REV 000
SIZE FAMILY ID D P103	SHEET 1 OF 1	PART NUMBER 63588000	

REV	DESCRIPTION	DATE BY
000	NEW RELEASE	02/12/03 PST
1		

REVISIONS