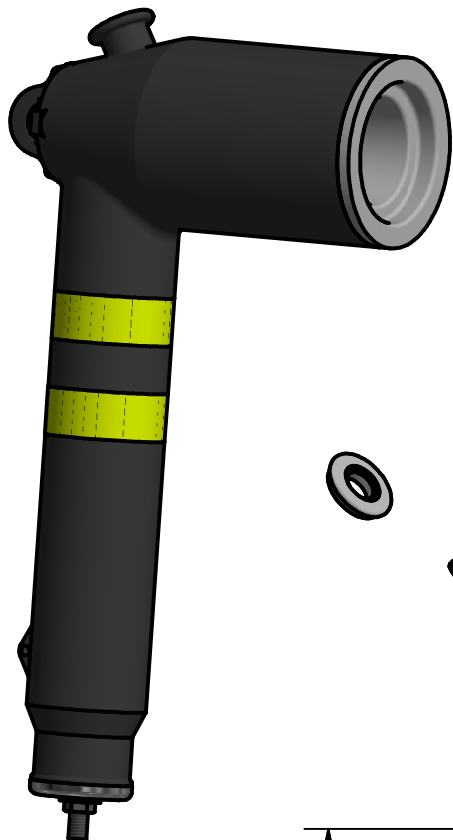


DEADFRONT ELBOW ARRESTER FOR 35KV 600A DEADBREAK BUSHING



Insulation Withstand Voltages

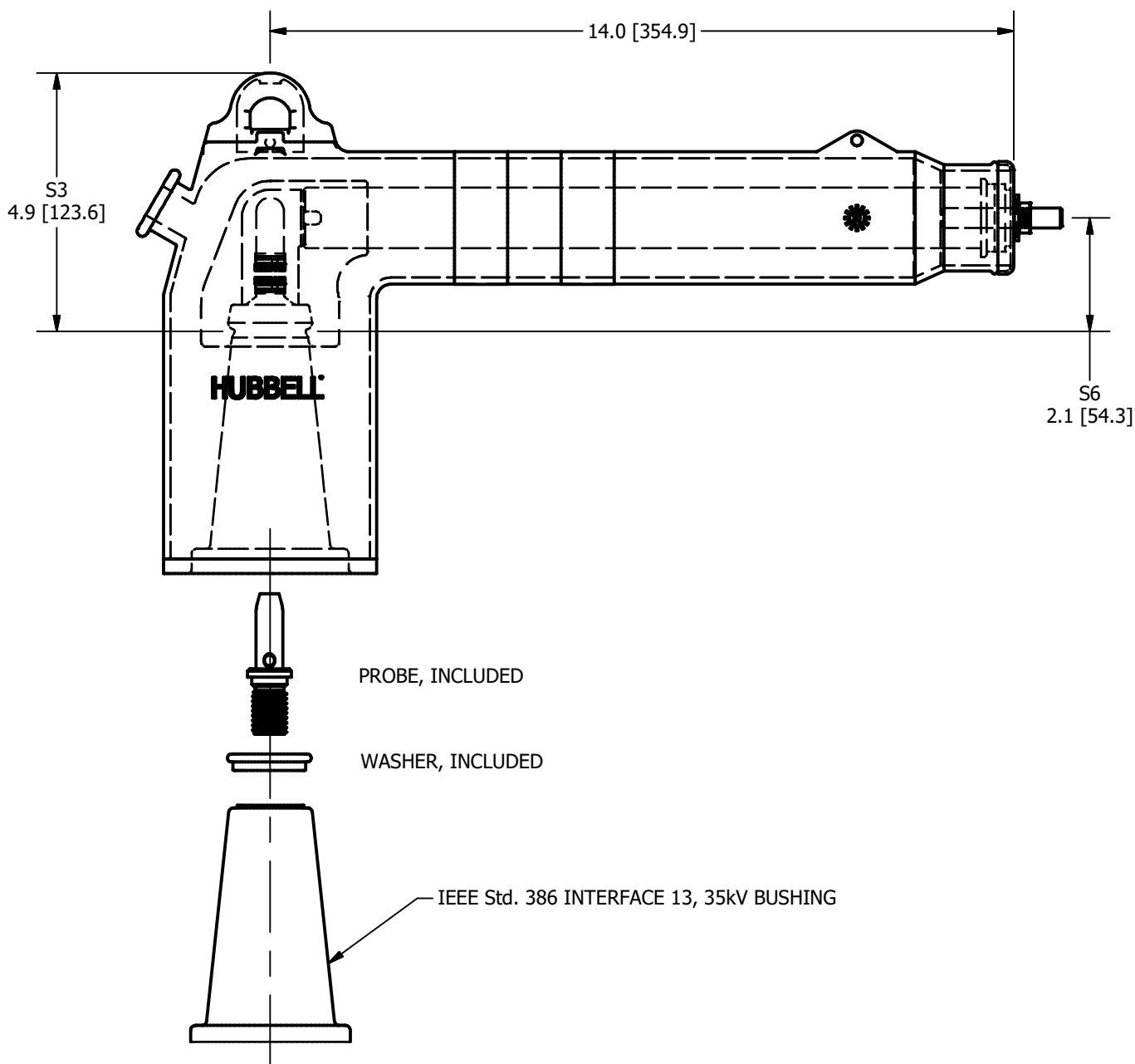
Basic Impulse Level.....150 kV Crest (1.2 x 50 μ Sec. wave)
60 Hz (60 Sec.).....50 kV rms
Partial Discharge Extinction Voltage (5 pC).....26 kV rms

Deadfront Arrester Failure Mode Test

The Hubbell Deadbreak Elbow Arresters meet the requirements of ANSI Std. C62.11 Clause 8.17
Aided by the patented isolated chamber design and the fiberglass wrapped MOV module to improve operator/bystander safety during failure mode.

Production Tests

100% factory tested for Partial Discharge and either AC 60 Hz (50 kV for 60 Sec.) or Impulse (BIL) (150 kV 1.2 x 50 μ Sec. wave) on housing per IEEE Std. 386, also 100% factory tested for Partial Discharge on complete arrester.



Catalog #	MCOV (kV)	Duty Cycle (kV)	0.5 μ sec. 5kA (kV Crest)	Maximum Discharge Voltage (kV Crest) 8x20 μ sec. Current Wave						Length (In)
				@ 1.5 kA	@ 3 kA	@ 5 kA	@ 10 kA	@ 20 kA	@ 40 kA	
635EDA220	22.0	27	89.6	70.8	75.4	80.4	90.5	104.6	130.7	14.0
635EDA244	24.4	30	99.5	78.7	83.8	89.3	100.6	116.2	145.2	14.0
635EDA270	27.0	33	107.6	86.6	92.2	98.3	110.7	127.9	159.8	14.0
635EDA290	29.0	36	119.3	94.4	100.5	107.2	120.7	139.4	174.3	14.0

HUBBELL POWER SYSTEMS, Inc.		TITLE		
		DEADFRONT ELBOW ARRESTER FOR 35KV 600A DEADBREAK BUSHING		
REV DATE	SIZE	DWG NO.	CAT / PART / ASSY NO.	REV
10/19/2021	SB	---	635EDA	1
DO NOT SCALE THIS DRAWING		DRN BY BVB	DATE 7/9/2021	SHEET 1 OF 1

CONTENTS ARE CONFIDENTIAL AND THE EXCLUSIVE PROPERTY OF HUBBELL POWER SYSTEMS. NO PUBLICATION, DISTRIBUTION OR COPIES MAY BE MADE WITHOUT THE WRITTEN CONSENT OF HUBBELL POWER SYSTEMS. HUBBELL POWER SYSTEMS UNPUBLISHED ALL RIGHTS RESERVED UNDER THE COPYRIGHT LAWS.