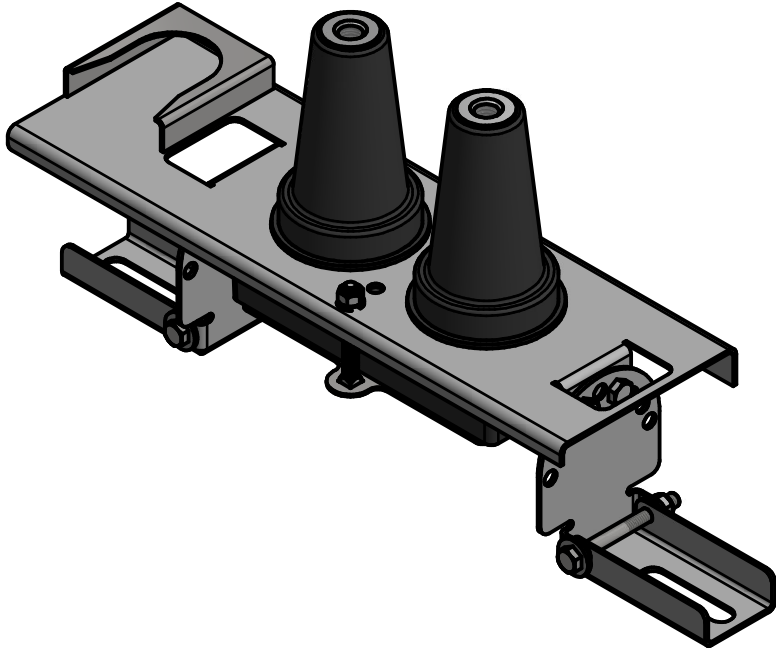


# 600 A 35 kV 200 kV BIL 2-Position Deadbreak Junction



Conforms to all Requirements of IEEE Std. 386 - Latest Revision

**Ratings**

Maximum Continuous Voltage.....21.1 kV Phase-to-Ground  
Continuous Current.....600 A  
Overload Current 4 hour rating.....900 A

**Short-Time Current Ratings**

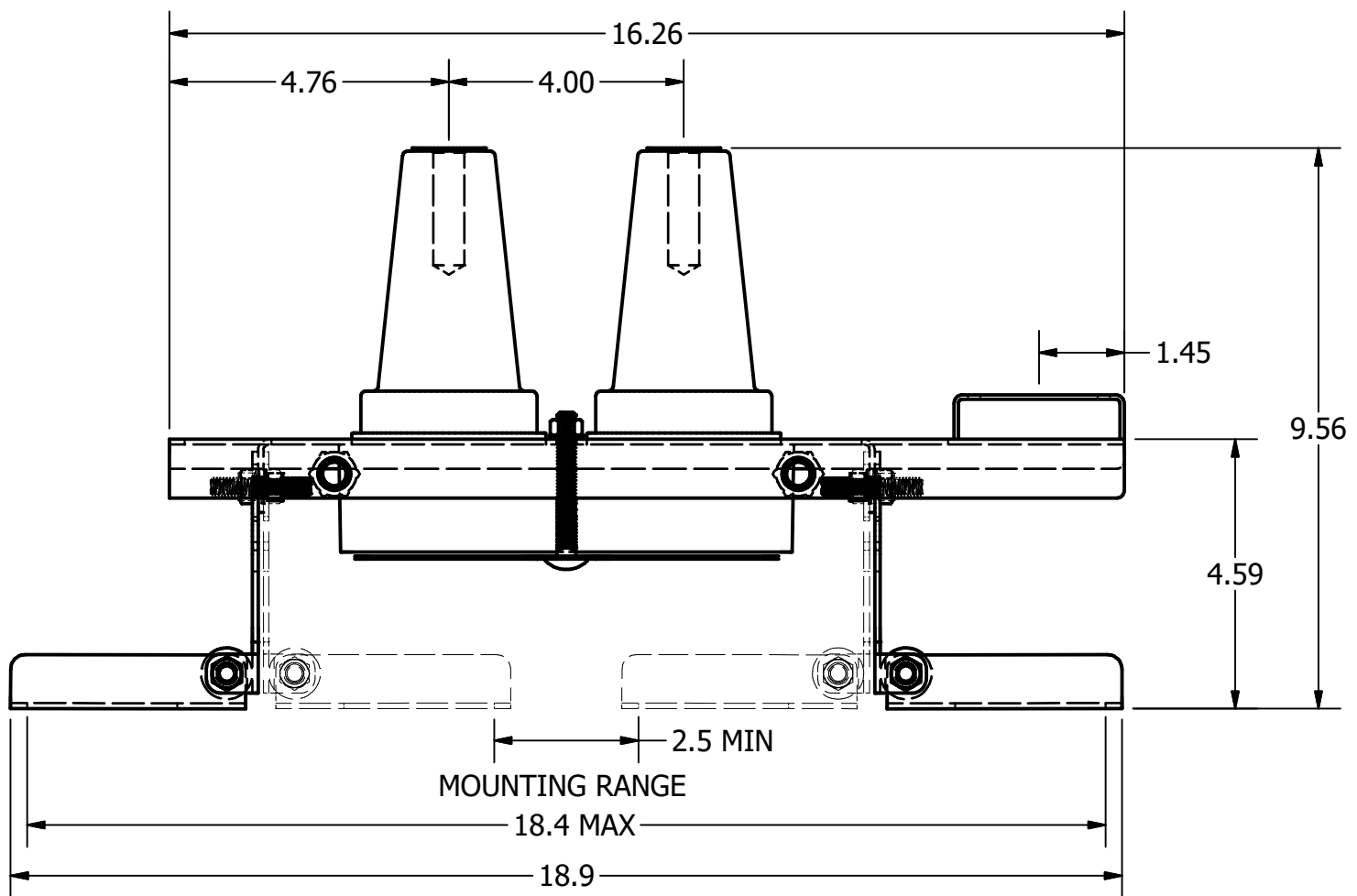
0.17 Sec. Duration.....40,000 A rms Symmetrical  
3.00 Sec. Duration.....20,000 A rms Symmetrical

**Insulation Withstand Voltages**

Basic Impulse Level.....200 kV Crest (1.2 x 50  $\mu$ Sec. wave)  
60 Hz (60 Sec.).....50 kV rms  
Partial Discharge Extinction Voltage (5 pC).....26 kV rms

**Production Tests**

100% factory tested for Partial Discharge and either AC 60 Hz (50 kV for 60 Sec.) or Impulse (BIL) (200 kV 1.2 x 50  $\mu$ Sec. wave).



REV DATE 5/3/2021

CONTENTS ARE CONFIDENTIAL AND THE EXCLUSIVE PROPERTY OF HUBBELL POWER SYSTEMS. NO PUBLICATION, DISTRIBUTION OR COPIES MAY BE MADE WITHOUT THE WRITTEN CONSENT OF HUBBELL POWER SYSTEMS. HUBBELL POWER SYSTEMS UNPUBLISHED ALL RIGHTS RESERVED UNDER THE COPYRIGHT LAWS.



HUBBELL POWER SYSTEMS, Inc.

TITLE  
**600 A 35 kV 2-POSITION  
DEADBREAK-JUNCTION / BRACKET**

SIZE <b>SB</b>	DWG NO. ---	CAT / PART / ASSY NO. <b>635J2B</b>	REV <b>3</b>
-------------------	----------------	--	-----------------

DO NOT SCALE THIS DRAWING | DRN BY BvB | DATE 12/19/2019 | SHEET 1 OF 1