

600 A 35 kV 200 kV BIL 2-Position Deadbreak Junction

Conforms to all Requirements of IEEE Std. 386 - Latest Revision

Ratings

Maximum Continuous Voltage.....21.1 kV Phase-to-Ground
Continuous Current.....600 A
Overload Current 4 hour rating.....900 A

Short-Time Current Ratings

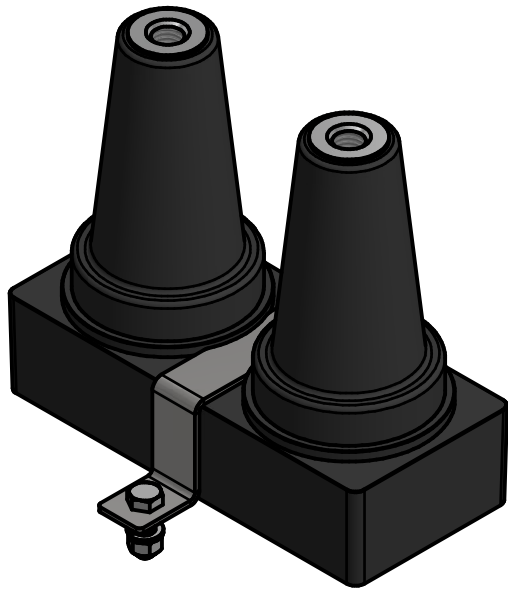
0.17 Sec. Duration.....40,000 A rms Symmetrical
3.00 Sec. Duration.....20,000 A rms Symmetrical

Insulation Withstand Voltages

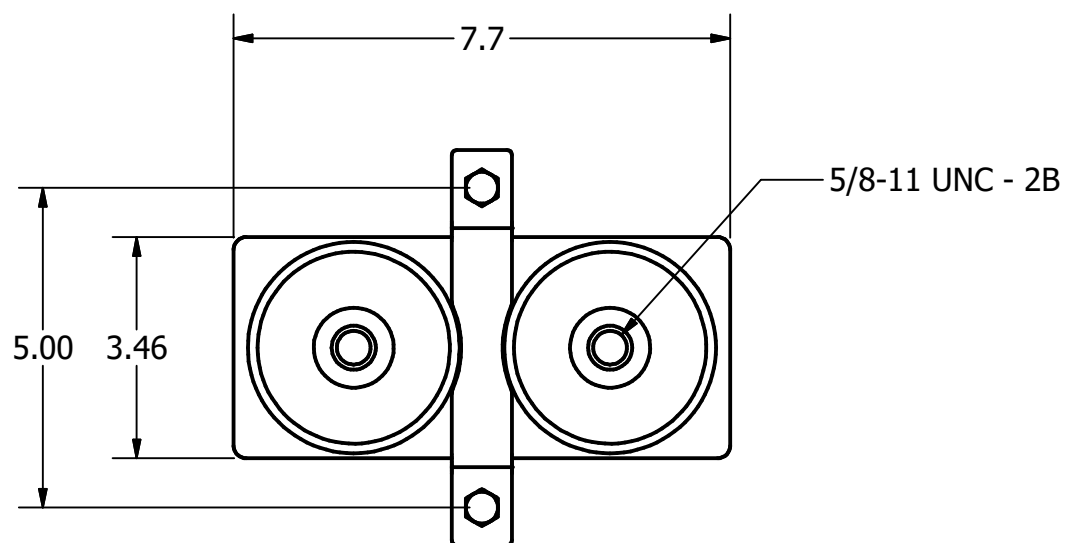
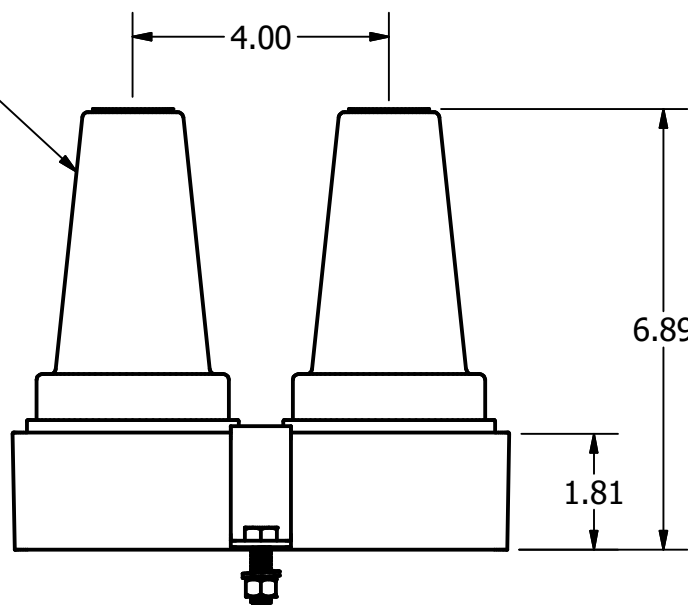
Basic Impulse Level.....200 kV Crest (1.2 x 50 μ Sec. wave)
60 Hz (60 Sec.).....50 kV rms
Partial Discharge Extinction Voltage (5 pC).....26 kV rms


Production Tests

100% factory tested for Partial Discharge and either AC 60 Hz (50 kV for 60 Sec.) or Impulse (BIL) (200 kV 1.2 x 50 μ Sec. wave).



INTERFACES COMPLIES WITH
IEEE STD. 386 INTERFACE 13



<p>CONTENTS ARE CONFIDENTIAL AND THE EXCLUSIVE PROPERTY OF HUBBELL POWER SYSTEMS. NO PUBLICATION, DISTRIBUTION OR COPIES MAY BE MADE WITHOUT THE WRITTEN CONSENT OF HUBBELL POWER SYSTEMS. HUBBELL POWER SYSTEMS UNPUBLISHED ALL RIGHTS RESERVED UNDER THE COPYRIGHT LAWS.</p>		 HUBBELL POWER SYSTEMS, Inc.		
		TITLE 600 A 35 kV 2-POSITION DEADBREAK-JUNCTION / U-STRAPS		
REV DATE 5/3/2021	SIZE SB	DWG NO. ---	CAT / PART / ASSY NO. 635J2U	REV 3
DO NOT SCALE THIS DRAWING		DRN BY BvB	DATE 12/19/2019	SHEET 1 OF 1