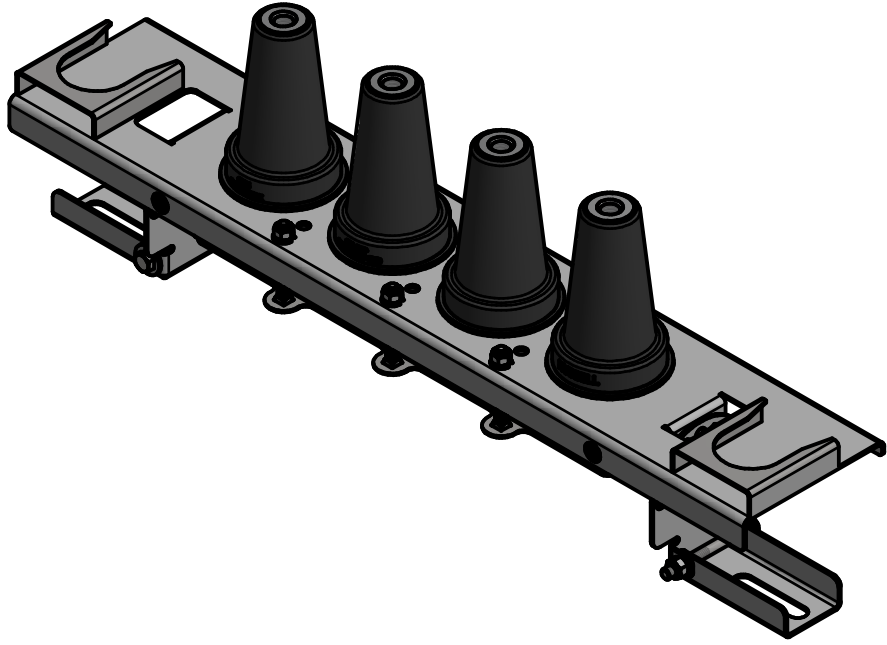


600 A 35 kV 200 kV BIL 4-Position Deadbreak Junction



Conforms to all Requirements of IEEE Std. 386 - Latest Revision

Ratings

Maximum Continuous Voltage.....21.1 kV Phase-to-Ground
Continuous Current.....600 A
Overload Current 4 hour rating.....900 A

Short-Time Current Ratings

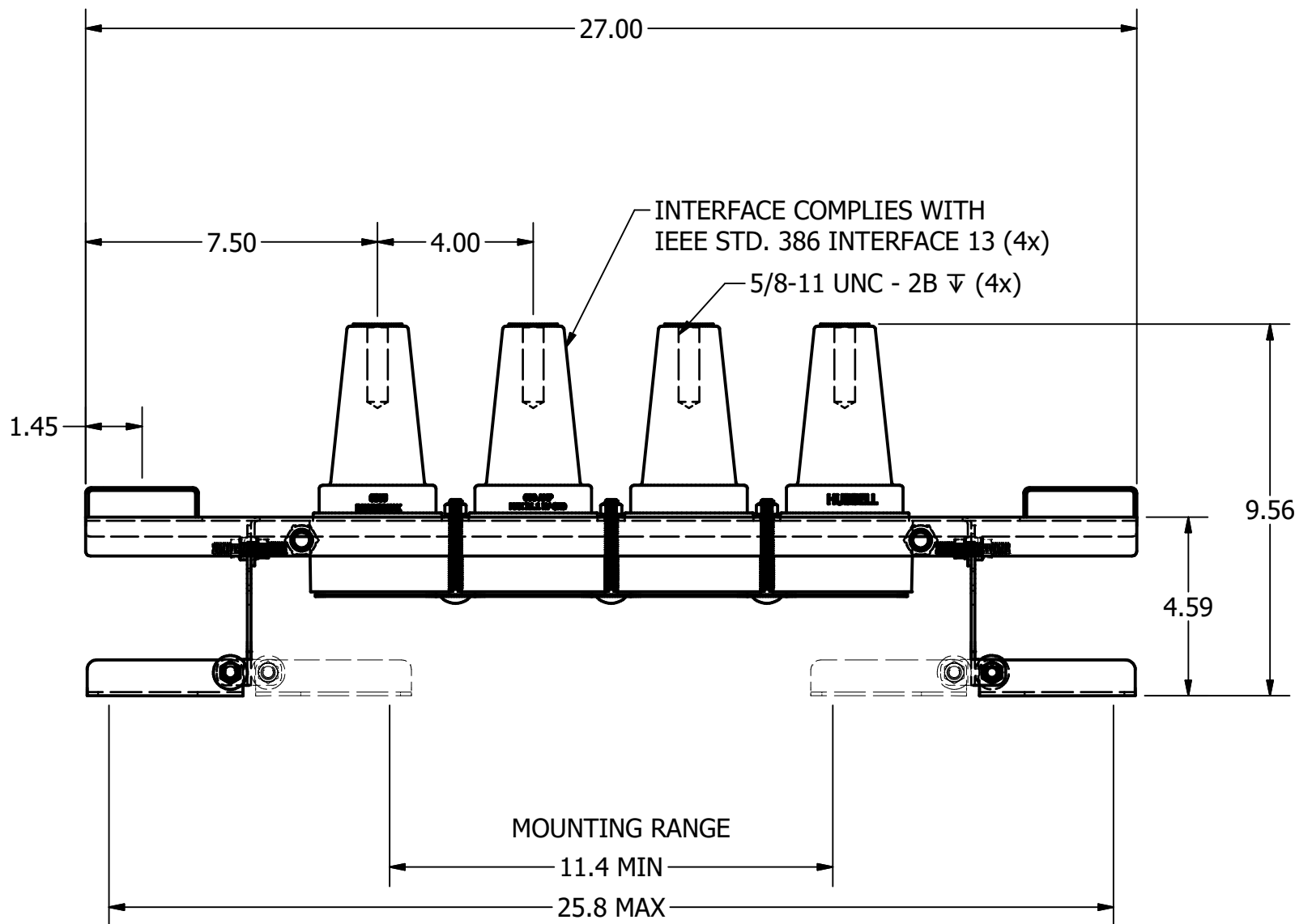
0.17 Sec. Duration.....40,000 A rms Symmetrical
3.00 Sec. Duration.....20,000 A rms Symmetrical

Insulation Withstand Voltages

Basic Impulse Level.....200 kV Crest (1.2 x 50 μ Sec. wave)
60 Hz (60 Sec.).....50 kV rms
Partial Discharge Extinction Voltage (5 pC).....26 kV rms

Production Tests

100% factory tested for Partial Discharge and either AC 60 Hz (50 kV for 60 Sec.) or Impulse (BIL) (200 kV 1.2 x 50 μ Sec. wave).



REV DATE 5/3/2021

CONTENTS ARE CONFIDENTIAL AND THE EXCLUSIVE PROPERTY OF HUBBELL POWER SYSTEMS. NO PUBLICATION, DISTRIBUTION OR COPIES MAY BE MADE WITHOUT THE WRITTEN CONSENT OF HUBBELL POWER SYSTEMS. HUBBELL POWER SYSTEMS UNPUBLISHED ALL RIGHTS RESERVED UNDER THE COPYRIGHT LAWS.



HUBBELL POWER SYSTEMS, Inc.

TITLE
600 A 35 kV 4-POSITION DEADBREAK-JUNCTION / BRACKET

SIZE SB	DWG NO. ---	CAT / PART / ASSY NO. 635J4B	REV 3
DO NOT SCALE THIS DRAWING	DRN BY BVB	DATE	SHEET 1 OF 1