



**PCORE**  
ELECTRIC

**TITLE**  
SEISMICALLY ENHANCED TEST (SET) TERMINAL  
TWO CORONA RINGS

**DWG.** CATALOG NUMBER  
SD B-64049-30-AF-EE

**DATE** 2-22-16

**REV. DATE**

**TOP TERMINAL**  
2-12 THREAD MALE

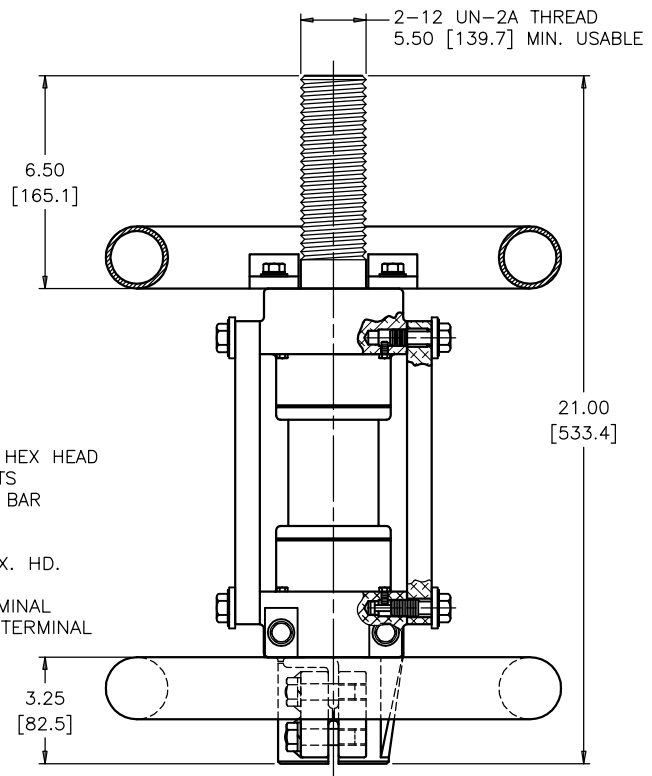
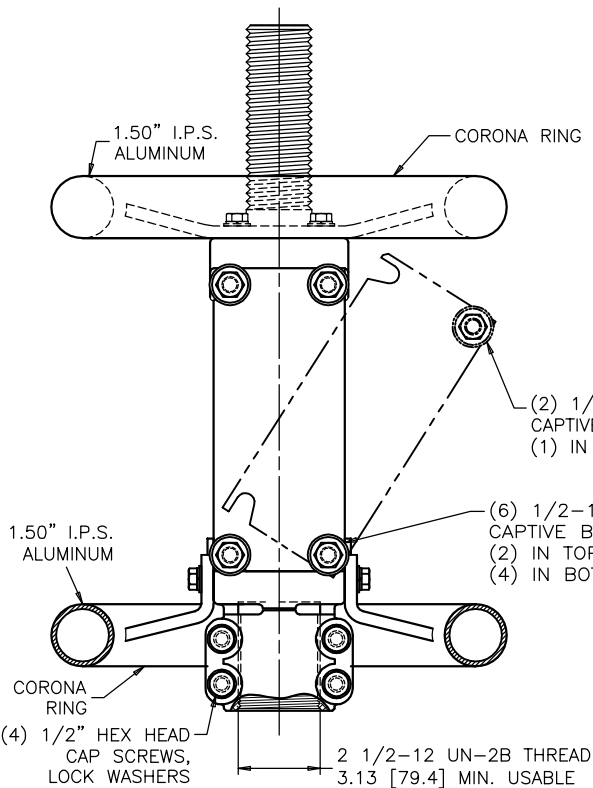
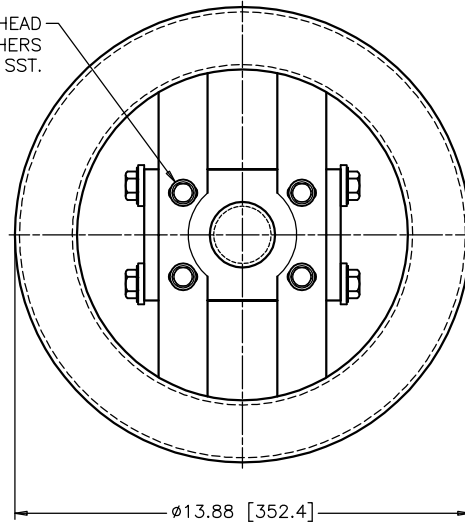
**CURRENT RATING**  
3000 A

**REF.**

**BOTTOM TERMINAL**  
2 1/2-12 THREAD FEMALE

UNITS ARE SHIPPED WITH NO-OX GREASE APPLIED TO SIDE BLADE CONTACTS. IT IS RECOMMENDED THAT THE CONTACTS BE CLEANED AND GREASED PERIODICALLY USING AN ELECTRICAL CONTACT OXIDATION INHIBITING GREASE SPECIFICALLY MADE FOR ALUMINUM CONTACTS.

(8) 3/8-16 HEX HEAD CAP SCREWS WITH FLAT WASHERS AND LOCK WASHERS SST.



BOLTS ARE STAINLESS STEEL  
HARDWARE IS ALUMINUM

DIMENSIONS IN INCHES [MILLIMETERS]

**REVISION**

**SCALE** 1/4

NOTE TO PURCHASER:  
ALL SALES OF PCORE PRODUCTS ARE SUBJECT  
TO OUR STANDARD TERMS AND CONDITIONS  
AND THE LIMITED WARRANTIES THEREUNDER