



PCORE
ELECTRIC

TITLE
SEISMICALLY ENHANCED TEST (SET) TERMINAL
TWO CORONA RINGS

DWG. CATALOG NUMBER

SD B-64049-AF-EE

DATE 1-28-16

REV. DATE 7-13-17

TOP TERMINAL
2 1/2-12 THREAD MALE

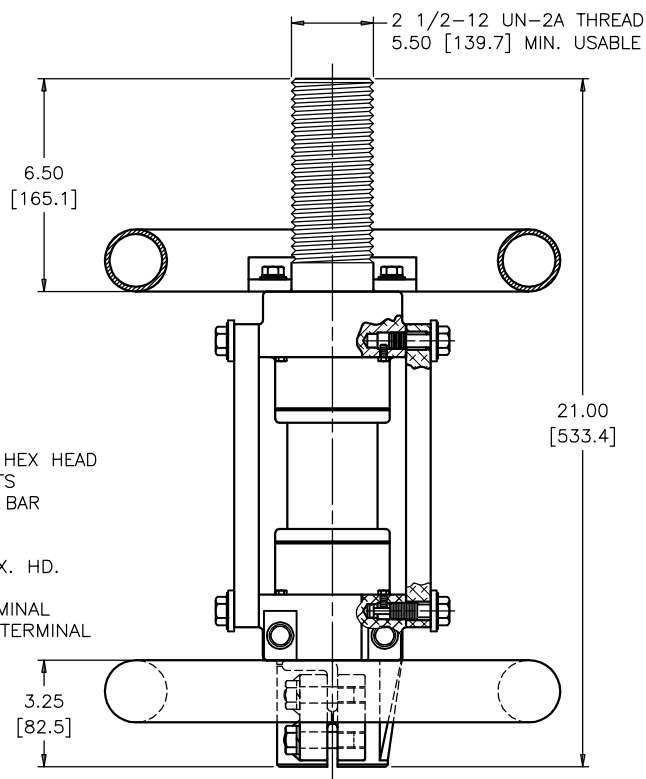
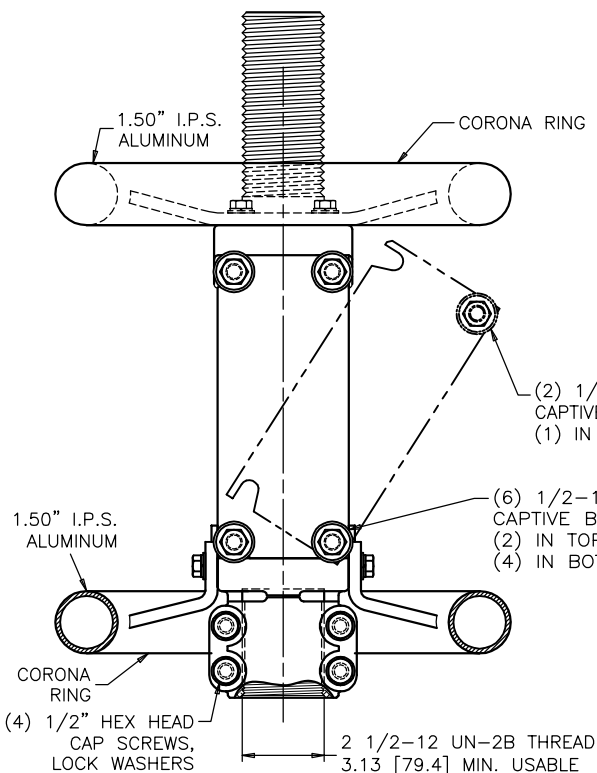
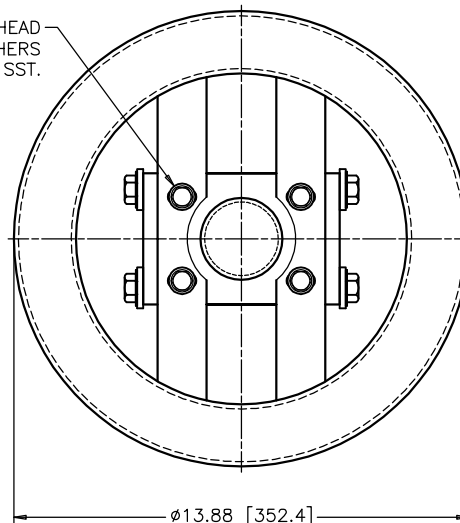
CURRENT RATING
3000 A

REF.

BOTTOM TERMINAL
2 1/2-12 THREAD FEMALE

UNITS ARE SHIPPED WITH NO-OX GREASE APPLIED TO SIDE BLADE CONTACTS. IT IS RECOMMENDED THAT THE CONTACTS BE CLEANED AND GREASED PERIODICALLY USING AN ELECTRICAL CONTACT OXIDATION INHIBITING GREASE SPECIFICALLY MADE FOR ALUMINUM CONTACTS.

(8) 3/8-16 HEX HEAD CAP SCREWS WITH FLAT WASHERS AND LOCK WASHERS SST.



BOLTS ARE STAINLESS STEEL
HARDWARE IS ALUMINUM

DIMENSIONS IN INCHES [MILLIMETERS]

REVISION ERROR, HARDWARE WAS LISTED AS SILVER PLATED COPPER AND EVERDUR BOLTS

SCALE 1/4

NOTE TO PURCHASER:
ALL SALES OF PCORE PRODUCTS ARE SUBJECT
TO OUR STANDARD TERMS AND CONDITIONS
AND THE LIMITED WARRANTIES THEREUNDER