



PCORE
ELECTRIC

TITLE
TEST TERMINAL
TWO CORONA RINGS

DWG.	CATALOG NUMBER	GLAZE COLOR
SD	B-64049-EE	BROWN
SD	B-64049-EE-70	LT. GRAY

TOP TERMINAL
2 1/2-12 THREAD MALE

BOTTOM TERMINAL
2 1/2-12 THREAD FEMALE

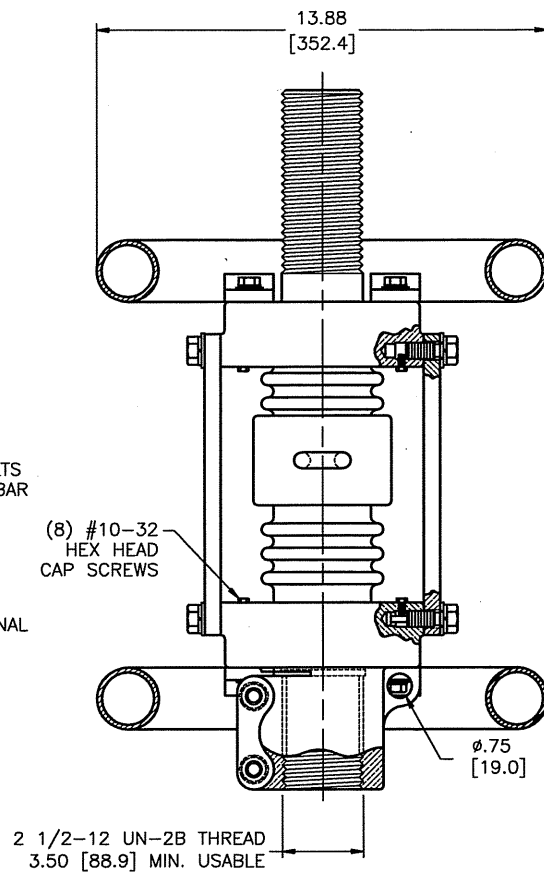
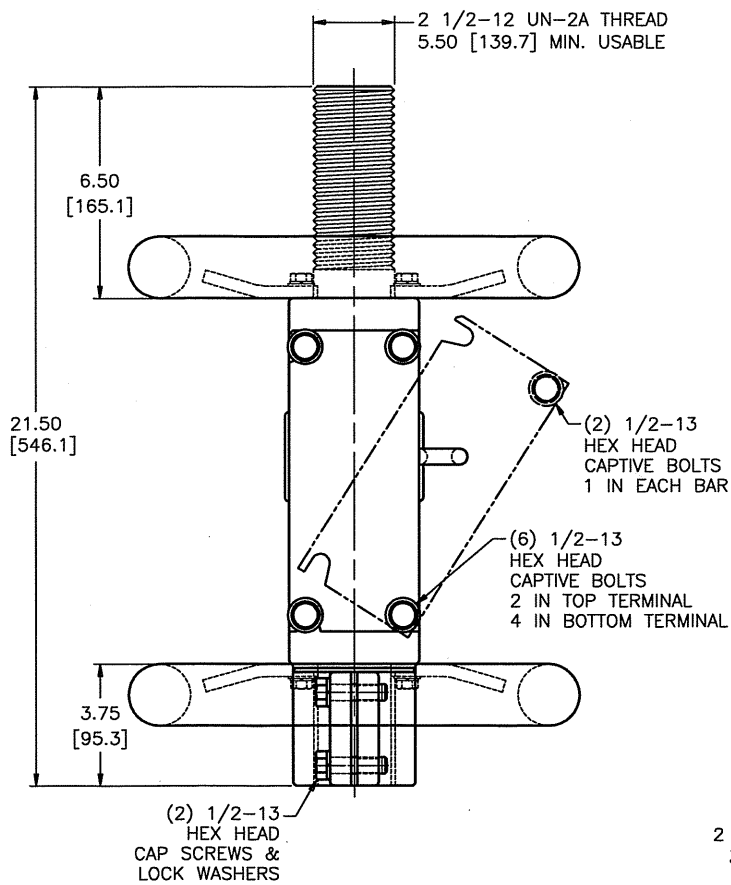
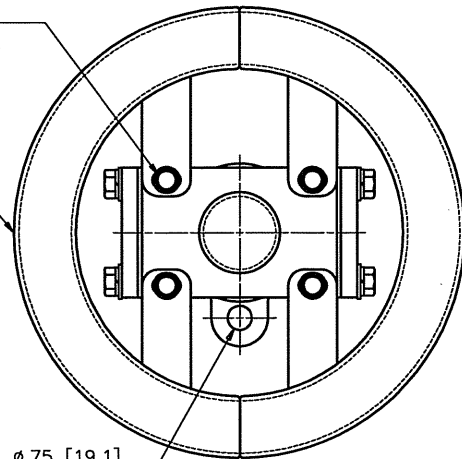
CURRENT RATING
3000 A

DATE	2-2-15	REV. DATE	
REF.			

(8) 3/8-16 HEX HEAD CAP SCREWS
WITH FLAT WASHERS & LOCK WASHERS

CORONA RING
1.50 I.P.S. ALUMINUM
TOP & BOTTOM

Ø.75 [19.1]
GUARD LOOP



BOLTS ARE EVERDUR AND STAINLESS STEEL
HARDWARE IS HIGH CONDUCTIVITY COPPER - SILVER PLATED

DIMENSIONS IN INCHES [MILLIMETERS]

REVISION

SCALE 1/4

NOTE TO PURCHASER:
ALL SALES OF PCORE PRODUCTS ARE SUBJECT
TO OUR STANDARD TERMS AND CONDITIONS
AND THE LIMITED WARRANTIES THEREUNDER