



PCORE
ELECTRIC

TITLE SEISMICALLY ENHANCED TEST (SET) TERMINAL
ONE CORONA RING ON TOP TERMINAL

DWG. CATALOG NUMBER

SD B-64071-57-CF-E

TOP TERMINAL
8 HOLE NEMA PAD W/ SPECIAL HORIZONTAL SPACING

CURRENT RATING 5000 A

1/2-13 CAPTIVE & CLAMP BOLTS 40 ft-lbs

3/8-16 CORONA RING BOLTS 20 ft-lbs

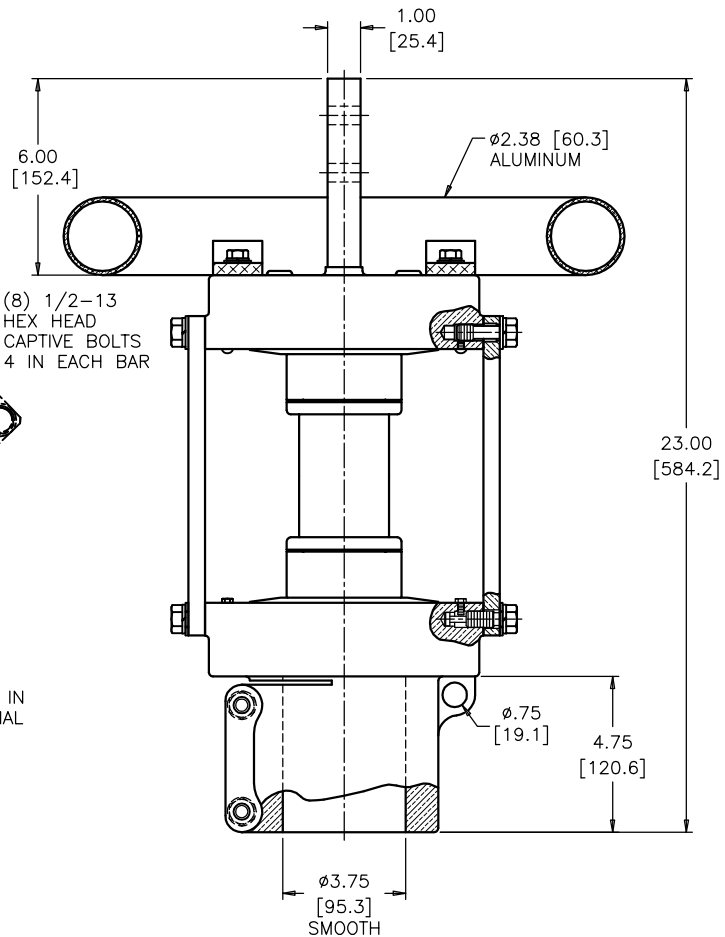
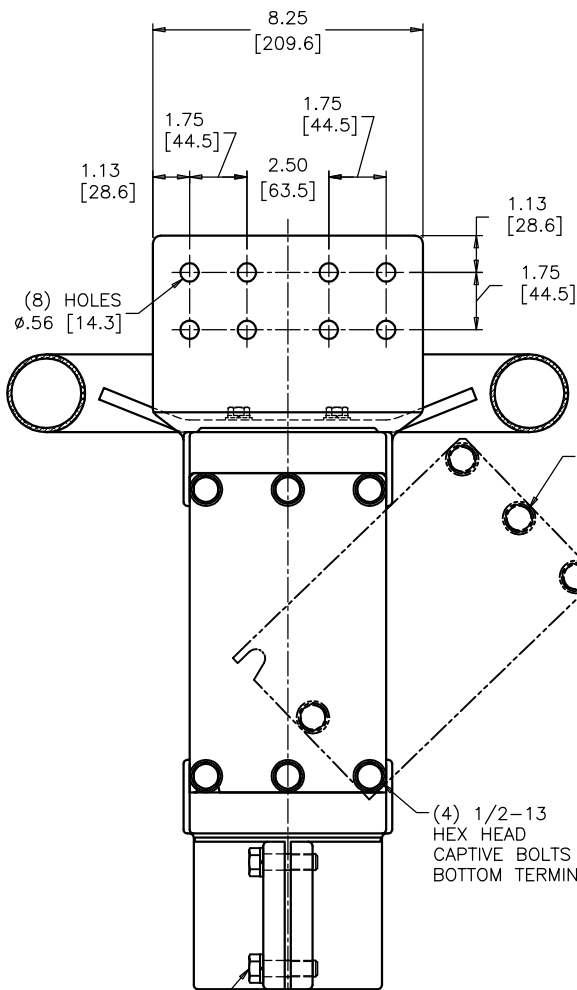
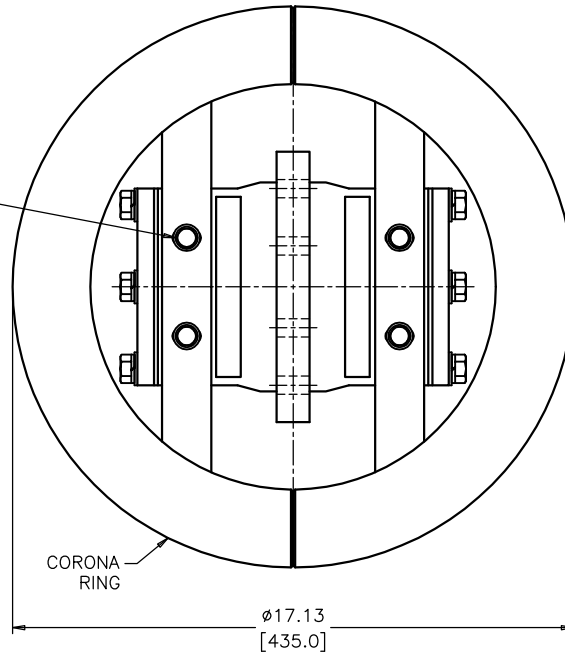
CANTILEVER STRENGTH 2500 ft-lbs

DATE 6-16-15
WEIGHT 118 lbs [54 kg]

REV. DATE 3-31-16
REF.

BOTTOM TERMINAL
Ø3.75 SMOOTH FEMALE

(4) 3/8-16 HEX HEAD CAP SCREWS
WITH FLAT WASHERS AND
LOCK WASHERS STAINLESS STEEL



(2) 1/2-13
HEX HEAD
CAP SCREWS &
LOCK WASHERS

BOLTS ARE EVERDUR AND STAINLESS STEEL
HARDWARE IS HIGH CONDUCTIVITY COPPER - SILVER PLATED
REFERENCE INSTRUCTIONS B-330756-A BEFORE INSTALLATION

DIMENSIONS IN INCHES [MILLIMETERS]

REVISION BLADE WIDTH WAS 8.00 [203.2], ADDED INSTRUCTIONS TO BOTTOM NOTES, ADDED TORQUE AND CANTILEVER STRENGTH VALUES **SCALE** 1/4

NOTE TO PURCHASER:
ALL SALES OF PCORE PRODUCTS ARE SUBJECT
TO OUR STANDARD TERMS AND CONDITIONS
AND THE LIMITED WARRANTIES THEREUNDER