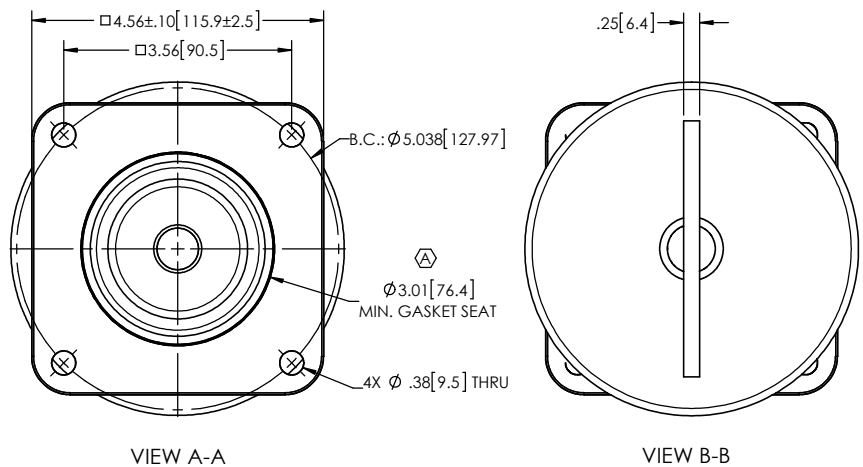
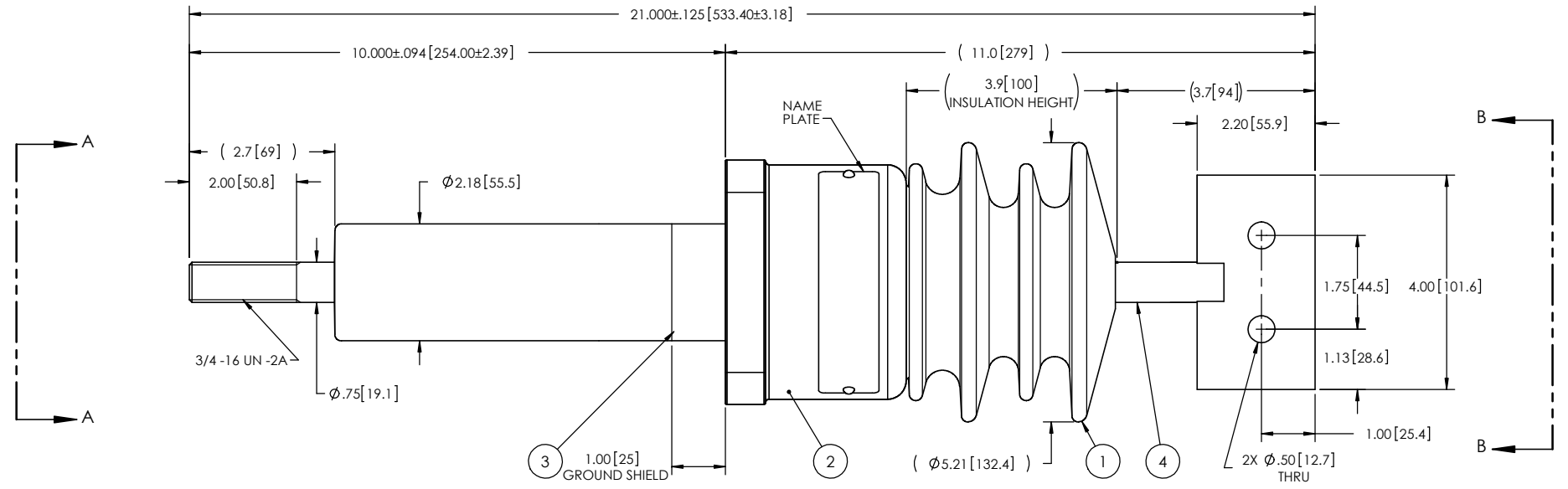


NOTES:

- 1 CREEPAGE DISTANCE: 8.9" / 227mm
- 2 ARC DISTANCE: 5.0" / 129mm
- 3 NOMINAL VOLTAGE: 5kV
- 4 NOMINAL CURRENT: 435A
- 5 VOLTAGE WITHSTAND, 60 sec.: 27kV
- 6 BIL: 75kV
- 7 ROUTINE TEST ACCORDING TO: IEEE C57.19.01
- 8 MAX. TORQUE APPLIED ON FLANGE BOLTS: 40 lbf·ft/ 54.2 N·m
- 9 WEIGHT: 15 lb / 6.8 kg

REVISIONS					
ZONE	REV.	DESCRIPTION	DRAWN BY	DATE	APPR.
--	A	GENERAL UPDATE TO ACTUAL STANDARD ADD THE "SDC" DESIGNATION TO THE BUSHING NAME. ADD THE MINIMUM GASKET SEAT DIMENSION.	M. FORGET	2019-08-01	Y.V.



ITEM NO.	QTY	DRAWING NO.	PART NO.	DESCRIPTION	NOTE / MAT'L
4	1	S-7098-6825		ROD ASSEMBLY	COPPER
3	1	S-7098-6824		SHIELD ASSEMBLY	COPPER
2	1	S-7098-6823		FLANGE	ALUMINUM
1	1	S-7098-6822	-001	CASTING, CYCLOALIPHATIC RESIN	EC-APG-02

**PARTS LIST**

GENERAL TOLERANCES (UNLESS OTHERWISE SPECIFIED)		 <b>Electro Composites</b> solid HV bushings solution	
X.	±0.125		
.X	±0.094	TITLE: <b>SDC® BUSHING 5kV, 435A</b>	
.XX	±0.063	MODEL: 075-004-T-663-00	
.XXX	±0.031	DRAWN BY: <b>A.SAVARD</b>	DATE: 2011/10/05
ANGLES	±0.25°	PROJECTING:	
RADIUS	±0.031	PROJECT MANAGER:	
REMOVE BURRS AND BREAK SHARP EDGES		FORMAT: <b>A</b>	CAGE CODE: <b>S-7098-6822</b>
DIMENSIONS ARE IN INCHES (UNLESS OTHERWISE SPECIFIED)		DRAWING NO.:	REVISION: <b>A</b>
		SCALE: <b>1:3</b>	GENERATED BY: <b>SolidWorks 2009</b>
		SHEET: <b>1 of 1</b>	

This drawing is the proprietary property of Electro Composites (2008) ULC, not part of the public domain, and is issued with the express understanding and agreement that it is not to be reproduced or copied in whole or in part or issued for furnishing information to others, or used directly or indirectly, in any way detrimental to the interest of Electro Composites (2008) ULC and is to be returned upon request by Electro Composites (2008) ULC. All Rights Reserved.