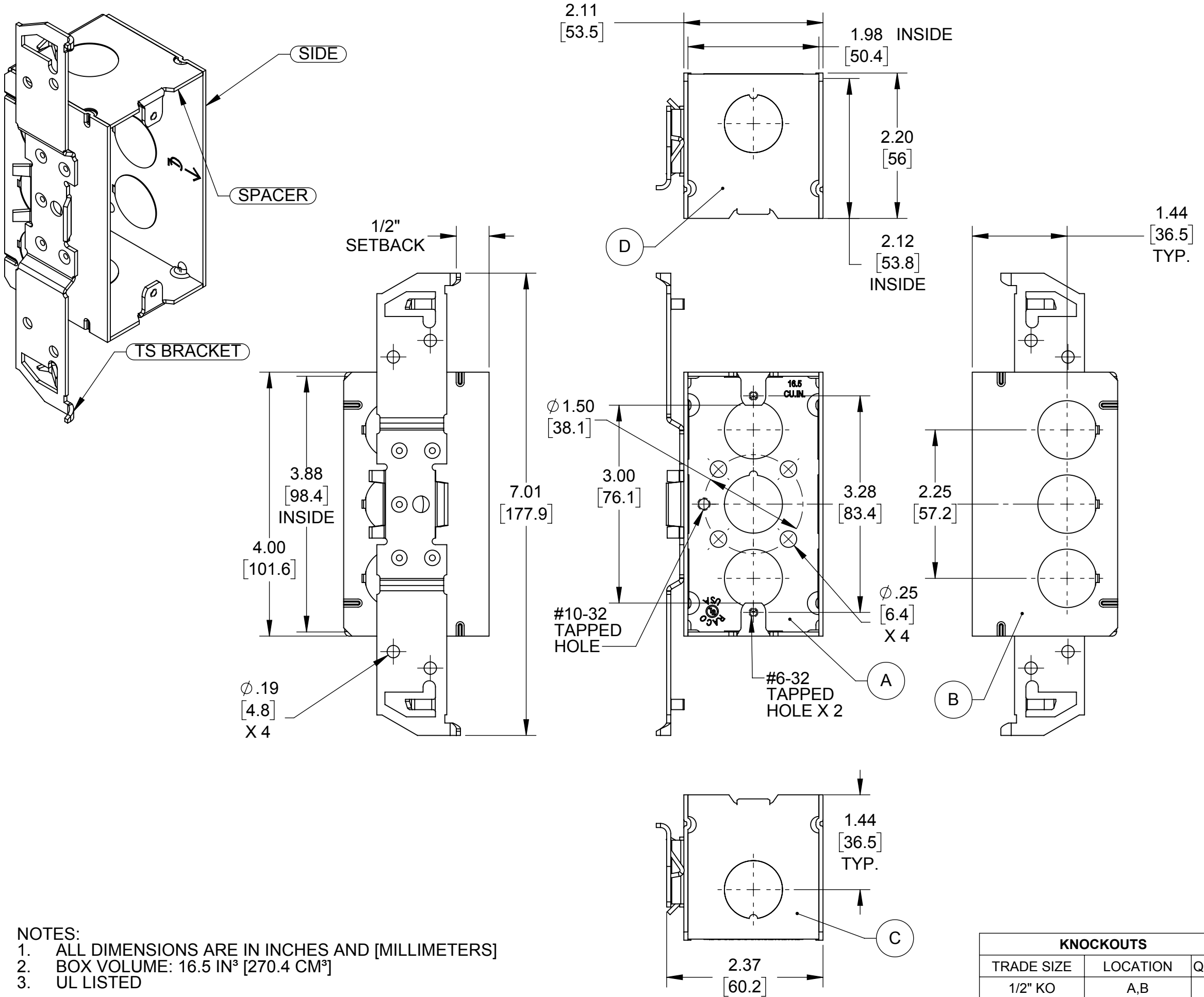


LIST OF PARTS

DESCRIPTION	MATERIAL	FINISH
SPACER	STEEL	GALVANIZED
SIDE	STEEL	GALVANIZED
TS BRACKET	STEEL	GALVANIZED



- NOTES:**
1. ALL DIMENSIONS ARE IN INCHES AND [MILLIMETERS]
 2. BOX VOLUME: 16.5 IN³ [270.4 CM³]
 3. UL LISTED

SYMBOL	REVISION DESCRIPTION	APP	DATE
	INITIAL RELEASE	N.S.	02/29/2016

THE DESIGN AND DIMENSIONS OF THE PRODUCT SHOWN ON THIS DRAWING ARE SUBJECT TO CHANGE WITHOUT NOTICE

TITLE:
4" X 2" HANDY BOX 2-1/8" DEEP WITH TS BRACKET

KNOCKOUTS		
TRADE SIZE	LOCATION	QTY.
1/2" KO	A,B	3
1/2" KO	C,D	1

TOLERANCE UNLESS OTHERWISE SPECIFIED
.XX DECIMAL ±.015
.XXX DECIMAL ±.005
ANGLE ±2°

RACO
South Bend, Indiana

DRAWN BY:	J.R.	SCALE:	2:3
APP. BY:	N.S.		
DATE:	02/29/2016		