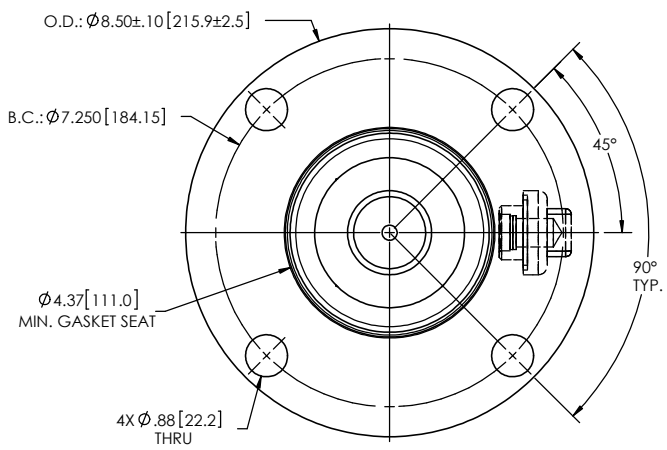
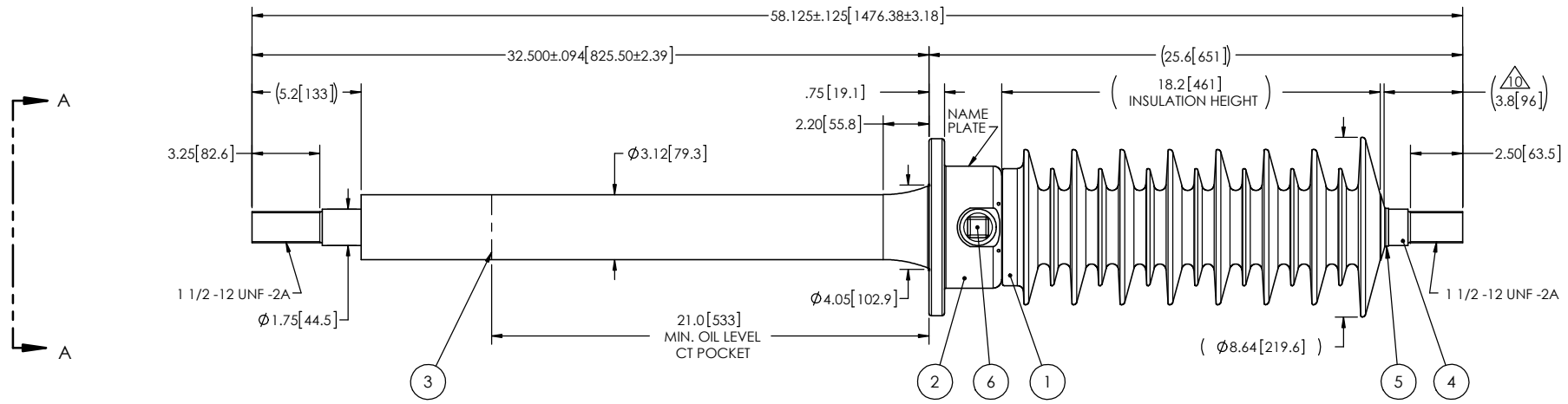


- NOTES:
- 1 CREEPAGE DISTANCE: 54.8" / 1390mm
  - 2 ARC DISTANCE: 20.6" / 524mm
  - 3 NOMINAL VOLTAGE: 34.5kV
  - 4 NOMINAL CURRENT: 2700A
  - 5 VOLTAGE WITHSTAND, 60 sec.: 80 kV
  - 6 BIL : 200kV
  - 7 ROUTINE TEST ACCORDING TO: IEEE C57.19.01
  - 8 MAX. TORQUE APPLIED ON FLANGE BOLTS: 40 lbf · ft / 54.2 N · m
  - 9 WEIGHT: 84 lb / 38.1 kg
- SILVER PLATED, AS PER ASTM B700, TYPE 1, GRADE D, CLASS N, NO NICKEL LAYER, FROM 13 TO 20 MICROMETERS THICKNESS
- 11 BUSHING NOT SUITABLE FOR ENCLOSED APPLICATIONS.
  - 12 MAXIMUM OPERATING TEMPERATURE: 130°C

REVISIONS					
ZONE	REV.	DESCRIPTION	DRAWN BY	DATE	APPR.



VIEW A-A  
SCALE 1 : 4

This drawing is the proprietary property of Electro Composites (2008) ULC, not part of the public domain, and is issued with the express understanding and agreement that it is not to be reproduced or copied in whole or in part or issued for furnishing information to others, or used directly or indirectly, in any way detrimental to the interest of Electro Composites (2008) ULC and is to be returned upon request by Electro Composites (2008) ULC. All Rights Reserved.

ITEM NO.	QTY	DRAWING NO.	PART NO.	DESCRIPTION	NOTE / MAT'L
6	1	S-1001-2022		CAPACITANCE TAP ASSEMBLY	ALUMINUM
5	1	S-1600-0587-0		CAP	COPPER
4	1	S-1695-9743		ROD ASSEMBLY	COPPER
3	1	S-1695-9742		SHIELD ASSEMBLY	COPPER
2	1	S-4894-4272		FLANGE	ALUMINUM
1	1	S-1695-9741	-001	CASTING, CYCLOALIPHATIC RESIN	EC-APG-15NA

PARTS LIST

GENERAL TOLERANCES  
(UNLESS OTHERWISE SPECIFIED)

X.	±0.125
.X	±0.094
.XX	±0.063
.XXX	±0.031
ANGLES	±0.25°
RADIUS	±0.031

REMOVE BURRS AND  
BREAK SHARP EDGES

DIMENSIONS ARE IN  
INCHES  
(UNLESS OTHERWISE SPECIFIED)

DRAWN BY: M. FORGET DATE: 2018/07/05

CHECK BY:

PROJECT ENG.:

PROJECT MANAGER:

**Electro Composites**  
solid HV bushings solution

TITLE:  
SDC® BUSHING 34.5kV 2700A  
MODEL: 200-027-T-686-06

FORMAT: A	CAGE CODE:	DRAWING NO.: S-1695-9741	REVISION: NR
SCALE: 1:8	GENERATED BY: SolidWorks 2013	SHEET: 1 of 1	