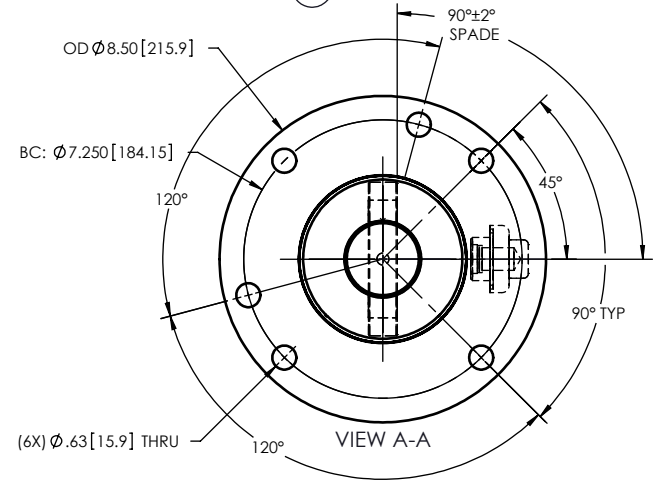
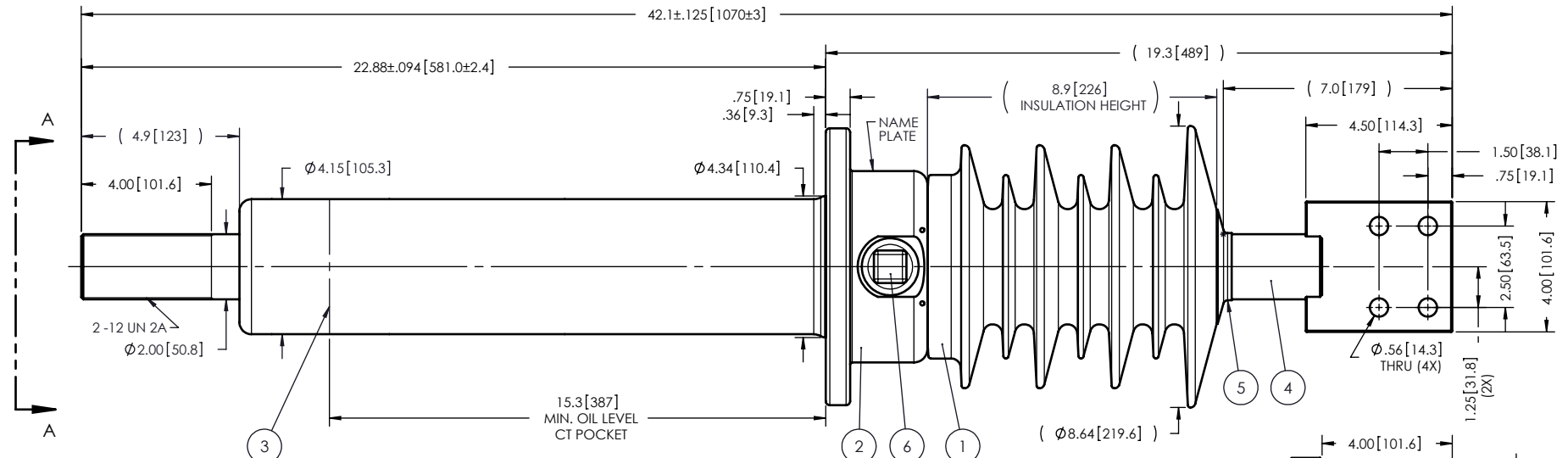


NOTES:

- 1 CREEPAGE DISTANCE: 26.3" / 668mm
- 2 ARC DISTANCE: 11.3" / 287mm
- 3 NOMINAL VOLTAGE: 15kV
- 4 NOMINAL CURRENT: 2000A
- 5 WITHSTAND VOLTAGE AT 60 sec.: 50kV
- 6 B.I.L. : 110kV
- 7 ROUTINE TEST ACCORDING TO: IEEE C57.19.01
- 8 MAX. TORQUE APPLIED ON FLANGE BOLTS: 40 lbf x ft
- 9 WEIGHT: 74.2 lbs / 33.66 Kg

REVISIONS					
ZONE	REV.	DESCRIPTION	DRAWN BY	DATE	APPR.
B4	A	CHANGE FLANGE TO ALLOW INSTALLATION USING EITHER A 3 OR 4 BOLTS CIRCLE CONFIGURATION	J.N.PILOTTE	2013-05-09	Y.V.



ITEM NO.	QTY	DRAWING NO.	PART NO.	DESCRIPTION	NOTE / MAT'L
6	1	S-1001-2022		CAPACITANCE TAP ASSEMBLY	ALUMINUM
5	1	S-1344-0162		CAP	COPPER
4	1	S-7488-7032		ROD ASSEMBLY	COPPER
3	1	S-7488-7031		SHIELD ASSEMBLY	COPPER
8	1	S-7488-7927		FLANGE	ALUMINUM
1	1	S-7488-7030	-001	CASTING, CYCLOALIPHATIC RESIN	EC-APG-02

PARTS LIST

This drawing is the proprietary property of Electro Composites (2008) ULC, not part of the public domain, and is issued with the express understanding and agreement that it is not to be reproduced or copied in whole or in part or issued for furnishing information to others, or used directly or indirectly, in any way detrimental to the interest of Electro Composites (2008) ULC and is to be returned upon request by Electro Composites (2008) ULC. All Rights Reserved.

GENERAL TOLERANCES (UNLESS OTHERWISE SPECIFIED)		<b>Electro Composites</b> solid HV bushings solution	
X.	±0.125		
.X	±0.094	TITLE: SDC® BUSHING 15kV, 2000A MODEL: 110-020-T-692-00	
.XX	±0.063	DRAWN BY: J.N.PILOTTE DATE: 2012/01/26	
.XXX	±0.031	PROJECT NO.: S-7488-7030	
ANGLES	±0.25°	SCALE: 1:5	
RADIUS	±0.031	GENERATED BY: SolidWorks 2012 SHEET: 1 of 1	
REMOVE BURRS AND BREAK SHARP EDGES		PROJECT MANAGER:	
DIMENSIONS ARE IN INCHES (UNLESS OTHERWISE SPECIFIED)			