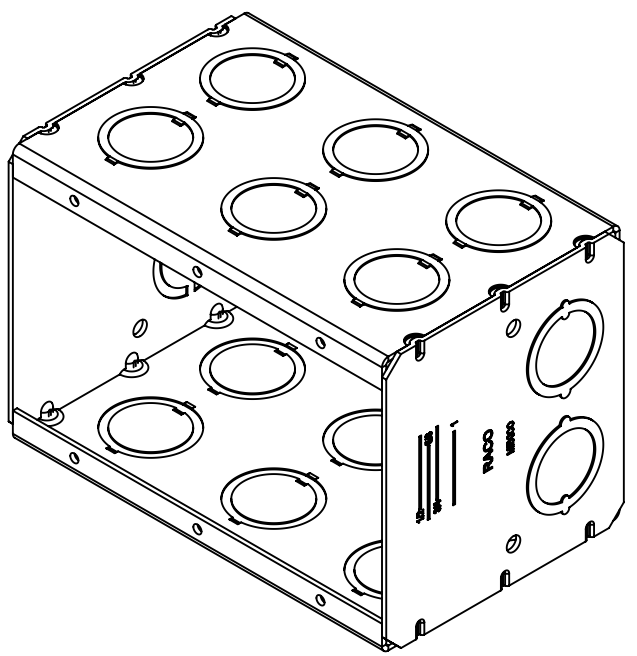
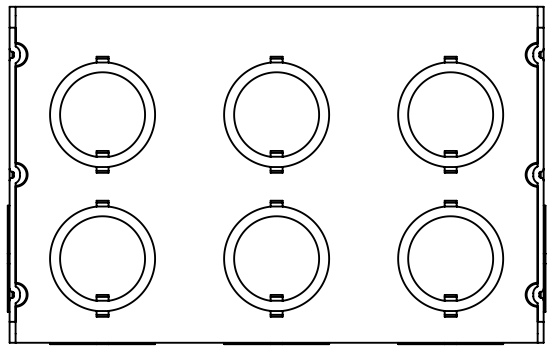
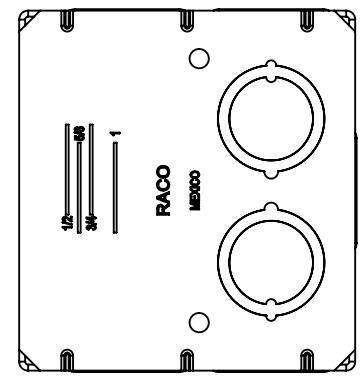
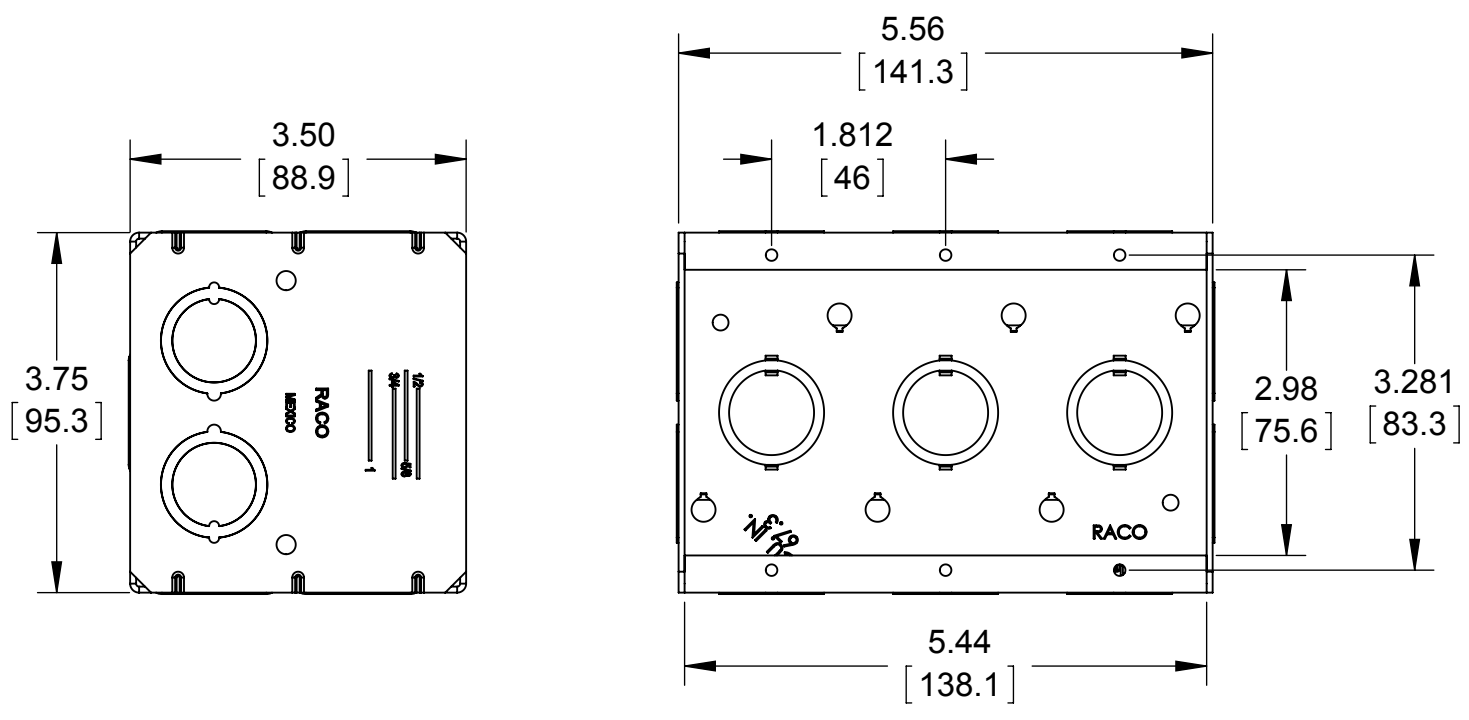


LIST OF PARTS

DESCRIPTION	MATERIAL	FINISH
SPACER	STEEL	GALVANIZED
SIDES	STEEL	GALVANIZED



INITIAL RELEASE	K.K.	
SYM.	REVISION DESCRIPTION	APP DATE

THE DESIGN AND DIMENSIONS OF THE PRODUCT SHOWN ON THIS DRAWING ARE SUBJECT TO CHANGE WITHOUT NOTICE

TITLE: **THREE GANG 3-1/2" DEEP WELDED MASONRY BOX**

- NOTES:
1. ALL DIMENSIONS ARE IN INCHES AND [MILLIMETERS]
 2. BOX VOLUME: 67.3 IN³ [1102.8 CM³]
 3. ACCEPTS # 971 PARTITION, SOLD SEPARATELY
 4. ACCEPTS # 701FG GANGABLE PROTECTOR PLATE, SOLD SEPARATELY
 5. UL LISTED

KNOCKOUTS -SINGLE GANG BOX	
TRADE SIZE	LOCATION
1/2", 3/4" CONC. KO'S	6- TOP
	6- BOTTOM
	3- BACK
	2- EACH SIDE

TOLERANCE UNLESS OTHERWISE SPECIFIED
 .XX DECIMAL ±.015
 .XXX DECIMAL ±.005
 ANGLE ±2°

RACO
 South Bend, Indiana

DRAWN BY:	K.K.	SCALE: 1:2
APP. BY:	N.S.	
DATE:	1/26/2015	