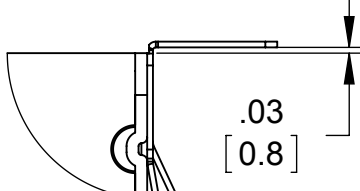
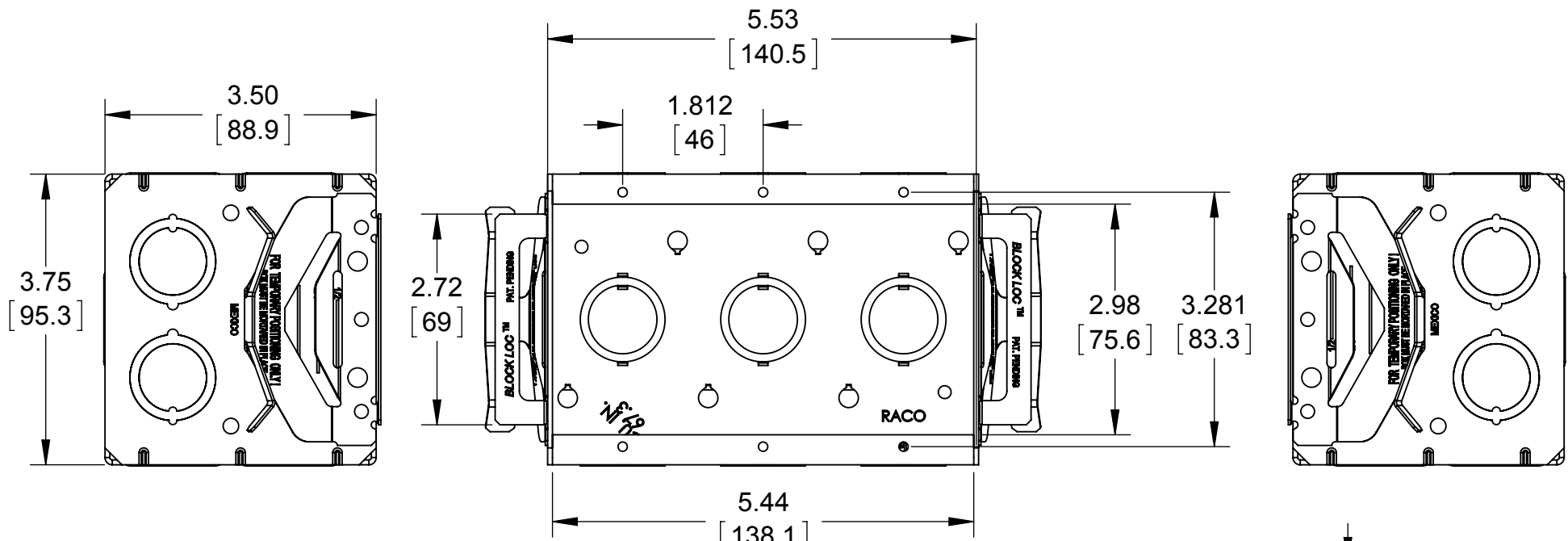
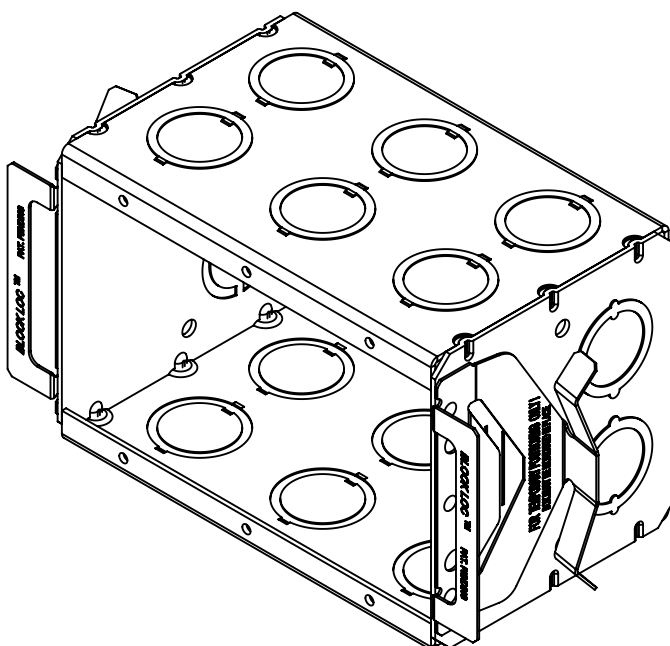
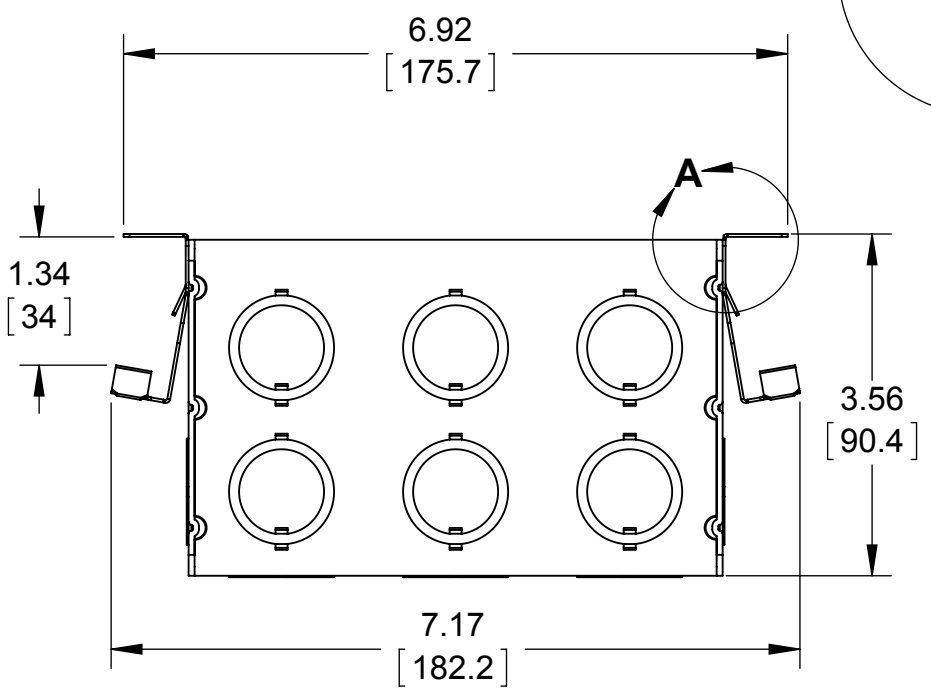


LIST OF PARTS

DESCRIPTION	MATERIAL	FINISH
SPACER	STEEL	GALVANIZED
SIDES	STEEL	GALVANIZED
BLOCK LOC™ BRACKETS	STEEL	GALVANIZED



**DETAIL A
SCALE 1 : 1**



BRACKET MAY BE BENT TO ACOMODATE THINNER BLOCK

- NOTES:**
1. ALL DIMENSIONS ARE IN INCHES AND [MILLIMETERS]
 2. BOX VOLUME: 67.3 IN³ [1102.8 CM³]
 3. ACCEPTS # 971 PARTITION , SOLD SEPARATELY
 4. ACCEPTS # 701FG GANGABLE PROTECTOR PLATE , SOLD SEPARATELY
 5. UL LISTED

KNOCKOUTS -SINGLE GANG BOX	
TRADE SIZE	LOCATION
1/2", 3/4" CONC. KO'S	6- TOP
	6- BOTTOM
	3- BACK
	2- EACH SIDE

SYM.	REVISION DESCRIPTION	APP	DATE
	INITIAL RELEASE	K.K.	

THE DESIGN AND DIMENSIONS OF THE PRODUCT SHOWN ON THIS DRAWING ARE SUBJECT TO CHANGE WITHOUT NOTICE

TITLE: **BLOCK LOC™
THREE GANG 3-1/2" DEEP
WELDED MASONRY BOX**

TOLERANCE UNLESS OTHERWISE SPECIFIED		<p>RACO South Bend, Indiana</p>	SCALE: 1:2
.XX DECIMAL ±.015	.XXX DECIMAL ±.005		
DATE:	1/26/2015	DRAWN BY: K.K.	APP. BY: N.S.