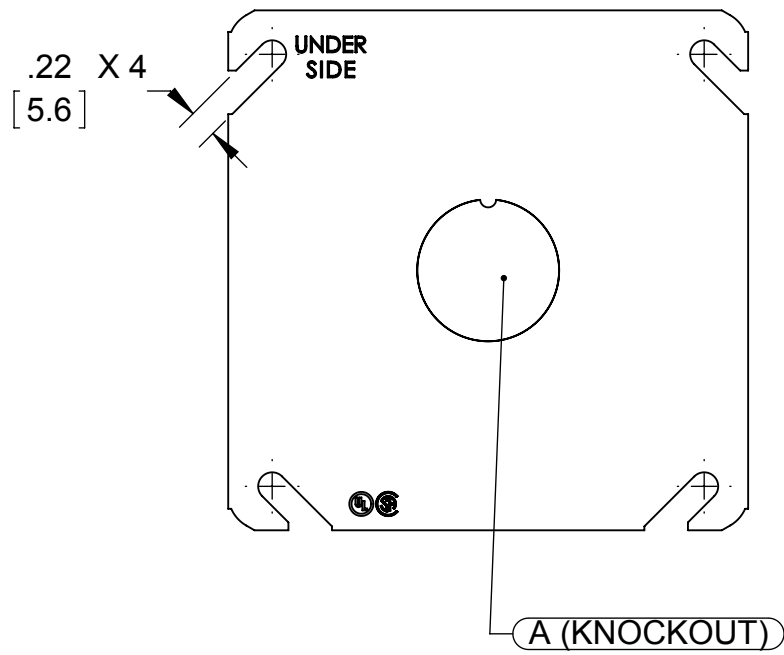
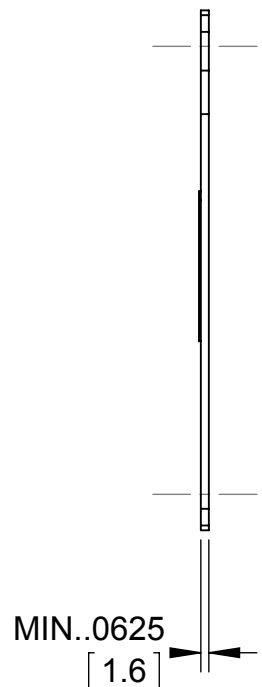
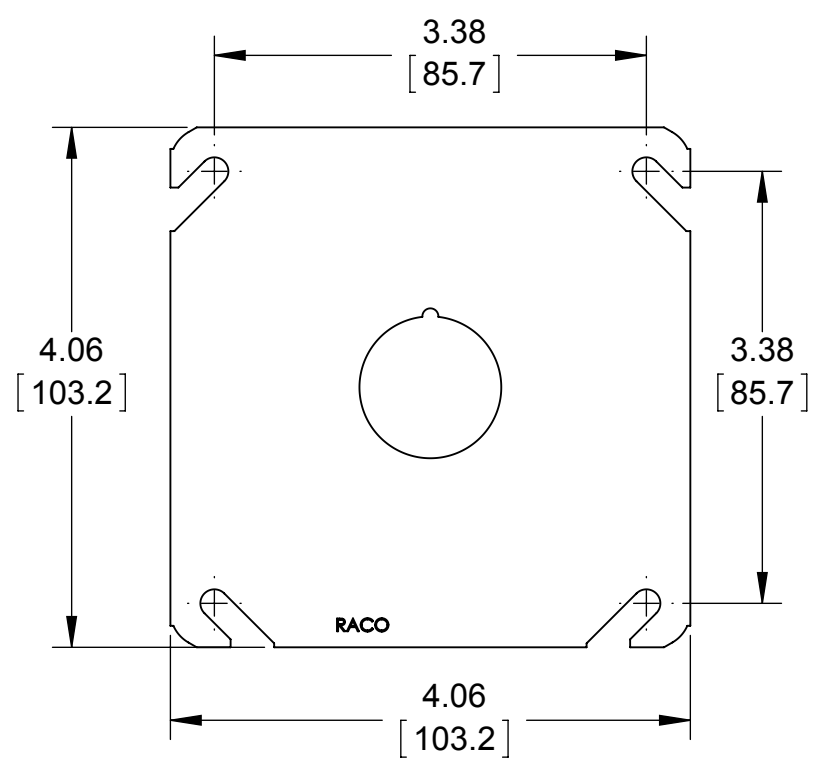
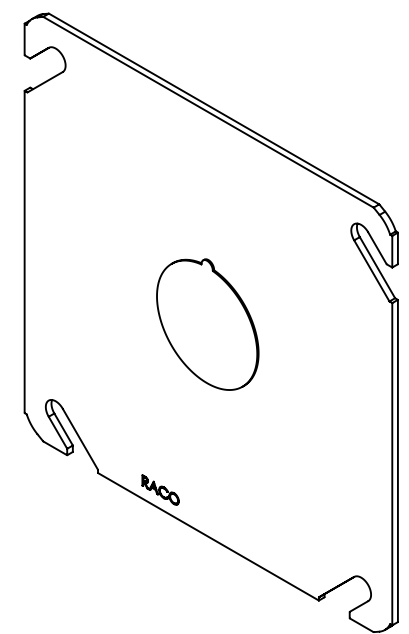


LIST OF PARTS

DESCRIPTION	MATERIAL	FINISH
COVER	STEEL	GALVANIZED



NOTES:
 1. ALL DIMENSIONS ARE IN INCHES AND [MILLIMETERS]
 2. CSA & UL LISTED

	INITIAL RELEASE	N.S.	1/12/2016
SYM.	REVISION DESCRIPTION	APP	DATE

THE DESIGN AND DIMENSIONS OF THE PRODUCT SHOWN ON THIS DRAWING ARE SUBJECT TO CHANGE WITHOUT NOTICE

TITLE:
4" SQUARE FLAT COVER W/ 3/4" KO CAT. # 754

KNOCKOUTS		
TRADE SIZE	LOCATION	QTY.
3/4" KO	A	1

TOLERANCE UNLESS OTHERWISE SPECIFIED
 .XX DECIMAL ±.015
 .XXX DECIMAL ±.005
 ANGLE ±2°

RACO
 South Bend, Indiana

DRAWN BY:	K.K	SCALE:	2:3
APP. BY:	N.S.		
DATE:	1/12/2016		

SIZE: **B**