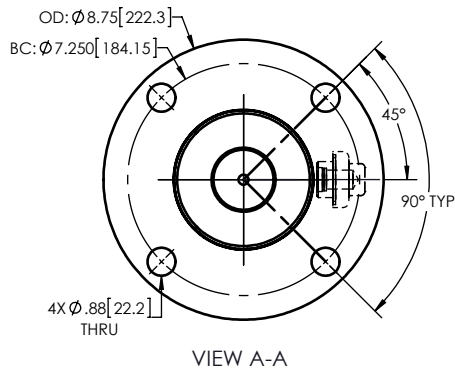
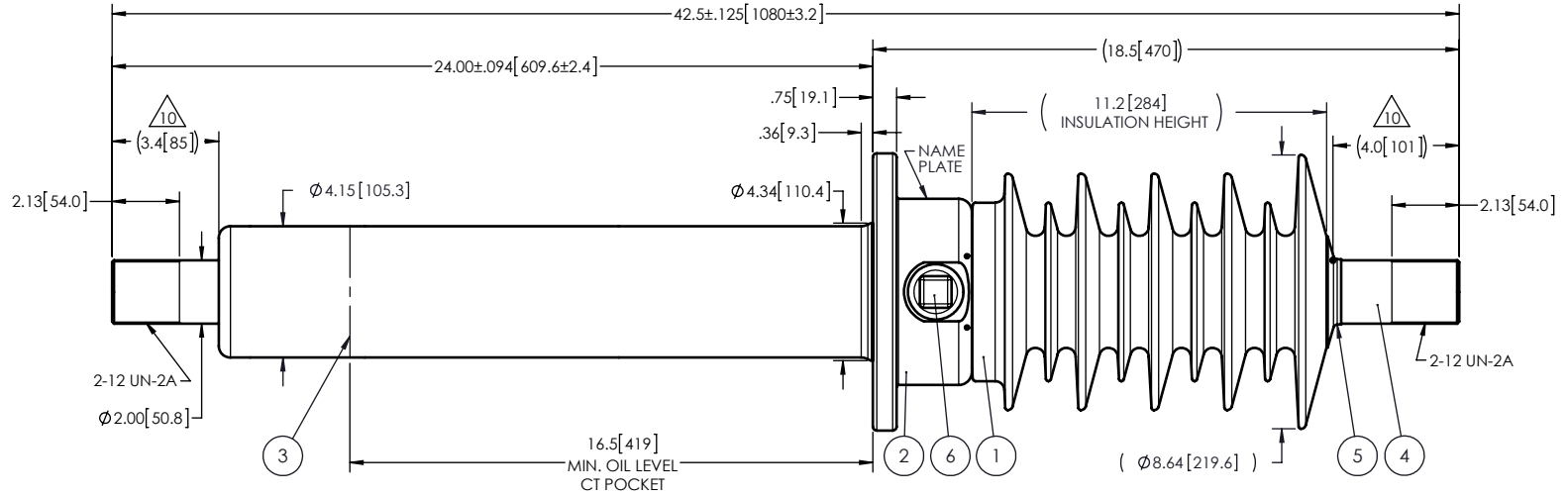


NOTES:

- 1 CREEPAGE DISTANCE: 33.5" / 851mm
- 2 ARC DISTANCE: 13.6" / 345mm
- 3 NOMINAL VOLTAGE: 25kV
- 4 NOMINAL CURRENT: 2000A
- 5 WITHSTAND VOLTAGE AT 60 sec.: 60kV
- 6 B.I.L. : 150kV
- 7 ROUTINE TEST ACCORDING TO: IEEE C57.19.01
- 8 MAX. TORQUE APPLIED ON FLANGE BOLTS: 40 lbf · ft / 54.2 N · m
- 9 WEIGHT: 79 lb / 35.8 Kg
- 10 TIN PLATED, AS PER ASTM B545, FROM .0003" TO .0005" THICKNESS
- 11 MAXIMUM OPERATING TEMPERATURE: 130°C

REVISIONS

ZONE	REV.	DESCRIPTION	DRAWN BY	DATE	APPR.
B4 F5	A	THE RESIN TYPE CHANGE FROM EC-APG-15 TO EC-APG-15NA REMOVE THE NOTE CONCERNING THE UV PROTECTION	J. CLICHE	2013-09-05	Y.V.



ITEM NO.	QTY	DRAWING NO.	PART NO.	DESCRIPTION	NOTE / MAT'L
6	1	S-1001-2022		CAPACITANCE TAP ASSEMBLY	ALUMINUM
5	1	S-1344-0162		CAP	COPPER
4	1	S-8060-7560		ROD ASSEMBLY	COPPER
3	1	S-5943-5522		SHIELD ASSEMBLY	COPPER
2	1	S-5023-5103		FLANGE	ALUMINUM
1	1	S-8060-7559	-001	CASTING, BISPHENOL RESIN	EC-APG-15NA

PARTS LIST

GENERAL TOLERANCES (UNLESS OTHERWISE SPECIFIED)

X.	±0.125
.X	±0.094
.XX	±0.063
.XXX	±0.031
ANGLES	±0.25°
RADIUS	±0.031

REMOVE BURRS AND
BREAK SHARP EDGES

DIMENSIONS ARE IN
INCHES
(UNLESS OTHERWISE SPECIFIED)

ElectroComposites
solid HV bushings solution

TITLE:
SDC® BUSHING 25kV, 2000A
MODEL: 150-020-T-766-00

DRAWN BY: J. CLICHE	DATE: 2012/10/11	FORMAT: A	CAGE CODE:	DRAWING NO.: S-8060-7559	REVISION: A
CHECK BY:		SCALE: 1:6	GENERATED BY: SolidWorks 2012	SHEET: 1 of 1	

This drawing is the proprietary property of Electro Composites (2008) ULC, not part of the public domain, and is issued with the express understanding and agreement that it is not to be reproduced or copied in whole or in part or issued for furnishing information to others, or used directly or indirectly, in any way detrimental to the interest of Electro Composites (2008) ULC and is to be returned upon request by Electro Composites (2008) ULC. All Rights Reserved.