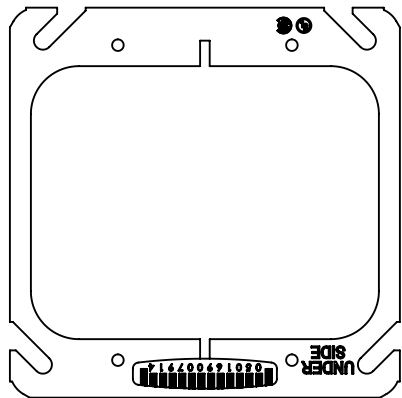


4X Ø #6-32 UNC - 2B THRU



- NOTES:  
 1. ALL DIMENSIONS ARE IN INCHES AND [MILLIMETERS]  
 2. CSA CERTIFIED  
 3. UL LISTED

**LIST OF PARTS**

DESCRIPTION	MATERIAL	FINISH
COVER	STEEL	GALVANIZED

791 CUS

SYMBOL	REVISION DESCRIPTION	APP	DATE
	INITIAL RELEASE	RMV	03/05/18

THE DESIGN AND DIMENSIONS OF THE PRODUCT SHOWN ON THIS DRAWING ARE SUBJECT TO CHANGE WITHOUT NOTICE

TITLE:  
**4 SQ. MUD RING, TWO DEVICE, FLAT**

TOLERANCE UNLESS OTHERWISE SPECIFIED  .XX DECIMAL ±.015 .XXX DECIMAL ±.005 ANGLE ±2°	<b>RACO</b> South Bend, Indiana		SCALE:
	DRAWN BY:	RMV	1:2
	APP. BY:	N.S.	
	DATE:	03/05/18	

791 DIMENSION SHEET FOR CAT. NO.

SIZE: **A**

8.5in\*11in