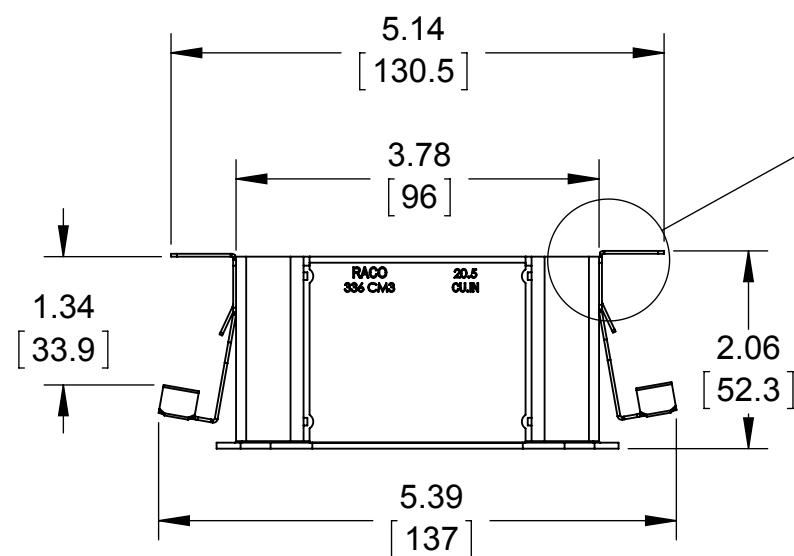
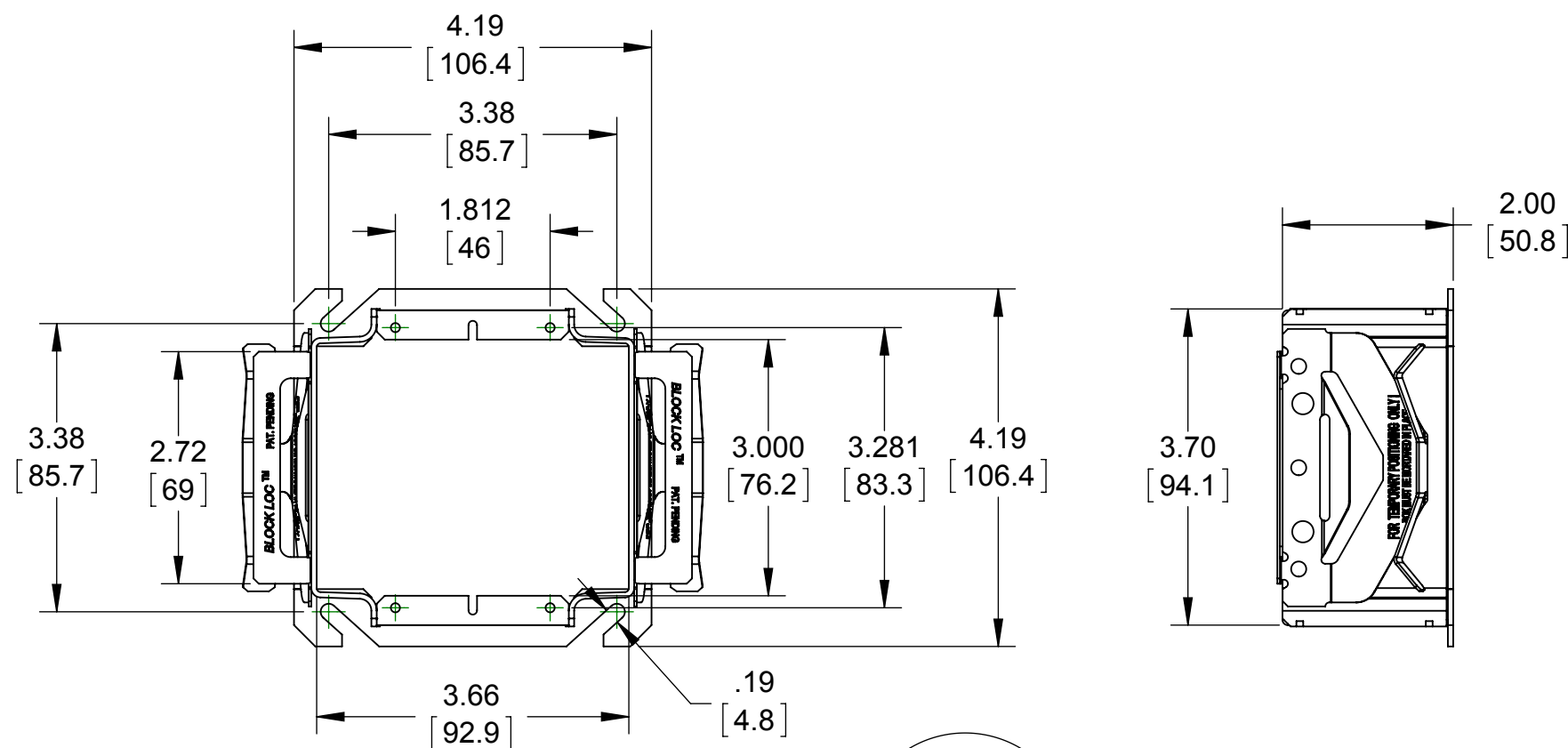


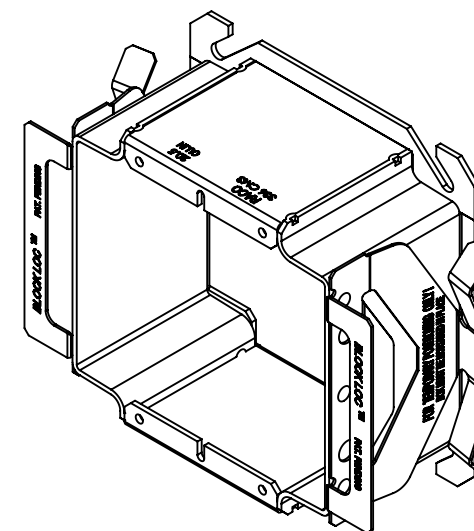
LIST OF PARTS

DESCRIPTION	MATERIAL	FINISH
ENDS	STEEL	GALVANIZED
SIDES	STEEL	GALVANIZED
BLOCK LOC™ BRACKETS	STEEL	GALVANIZED



**DETAIL C
SCALE 1 : 1**

BRACKET MAY BE BENT TO ACOMODATE THINNER BLOCK



INITIAL RELEASE	K.K.	DATE
SYM.	REVISION DESCRIPTION	APP

THE DESIGN AND DIMENSIONS OF THE PRODUCT SHOWN ON THIS DRAWING ARE SUBJECT TO CHANGE WITHOUT NOTICE

TITLE: **BLOCK LOC™
4" SQ. DOUBLE DEVICE
2" RAISED COVER**

TOLERANCE UNLESS OTHERWISE SPECIFIED		
.XX DECIMAL ±.015	RACO South Bend, Indiana	
.XXX DECIMAL ±.005	DRAWN BY: K.K.	SCALE: 1:2
ANGLE ±2°	APP. BY: N.S.	DATE: 1/26/2015

- NOTES:
- ALL DIMENSIONS ARE IN INCHES AND [MILLIMETERS]
 - COVER VOLUME: 20.5 IN³ [336 CM³]
 - CSA & UL LISTED