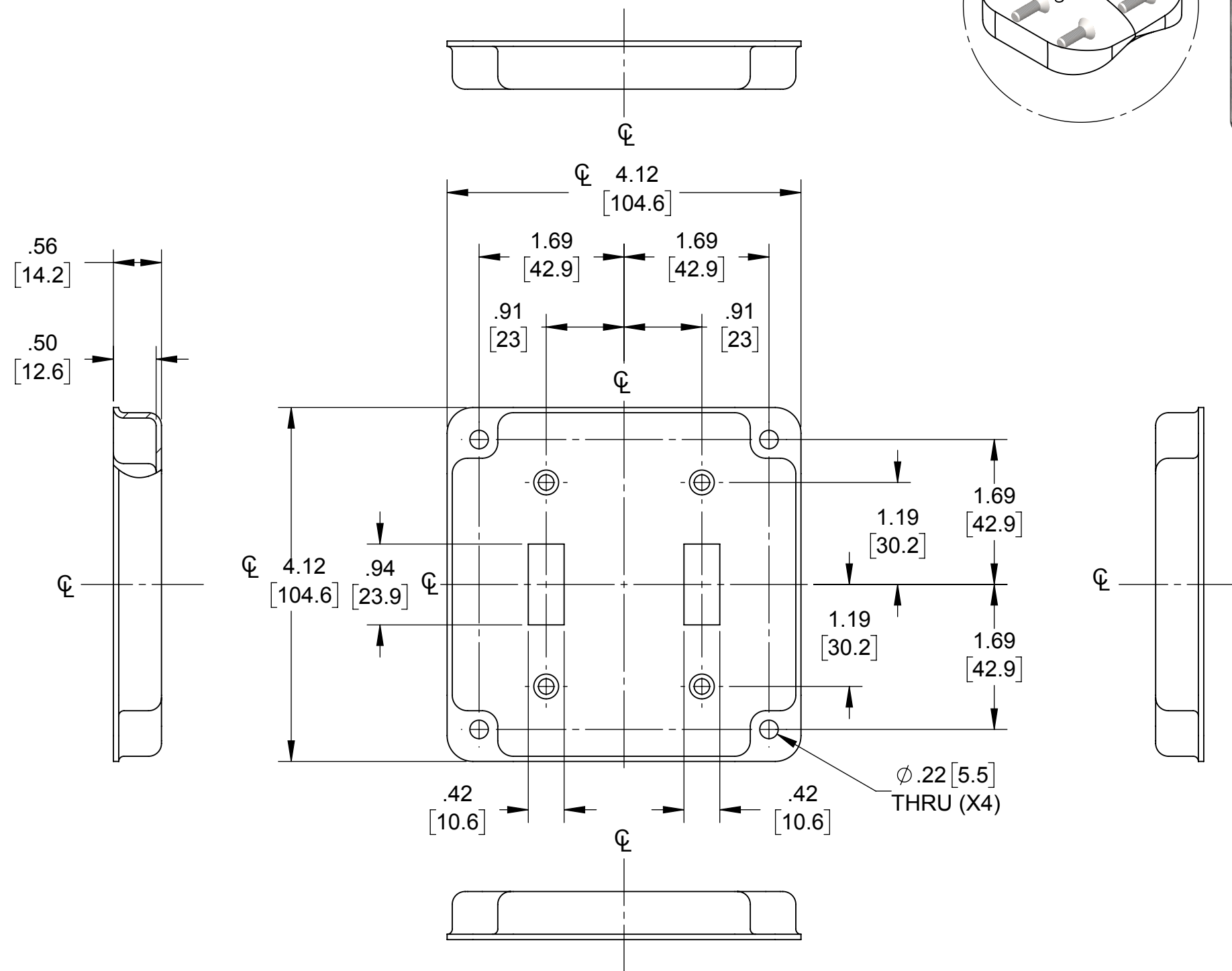
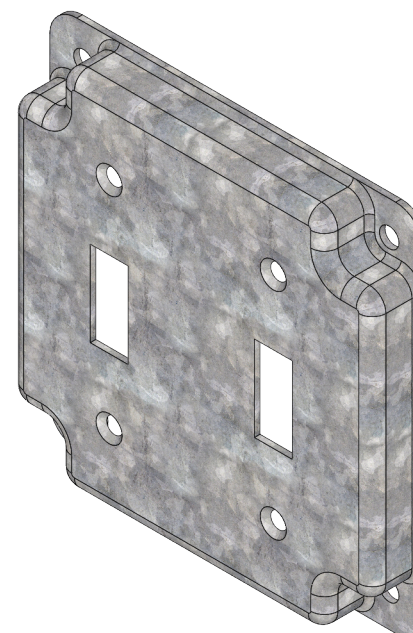
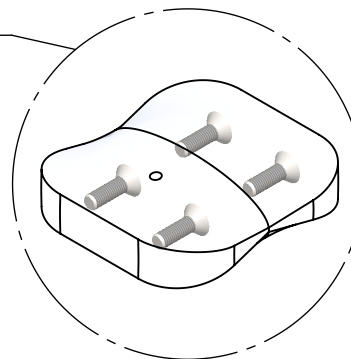


LIST OF PARTS

DESCRIPTION	MATERIAL	FINISH
COVER	STEEL	GALVANIZED
SCREWS	STEEL	GALVANIZED

#6-32 X 7/16" COUNTERSINK
MACHINE SCREWS (QTY. 4)



NOTES:

- ALL DIMENSIONS ARE IN INCHES AND [MILLIMETERS]
- BOX VOLUME: 6.5 IN³ [107] CM³
- UL LISTED

SYM.	REVISION DESCRIPTION	APP	DATE
	INITIAL RELEASE	RMV	03-30-17

THE DESIGN AND DIMENSIONS OF THE PRODUCT SHOWN ON THIS DRAWING ARE SUBJECT TO CHANGE WITHOUT NOTICE

TITLE:

**4" SQ. CRUSHED CORNER COVER,
(2) TOGGLE SWITCHES**

TOLERANCE UNLESS OTHERWISE SPECIFIED

.XX DECIMAL ±.015
.XXX DECIMAL ±.005
ANGLE ±2°

RACO
South Bend, Indiana

DRAWN BY:	RMV	SCALE:	1:1.5
APP. BY:	RMV		
DATE:	03-30-17		