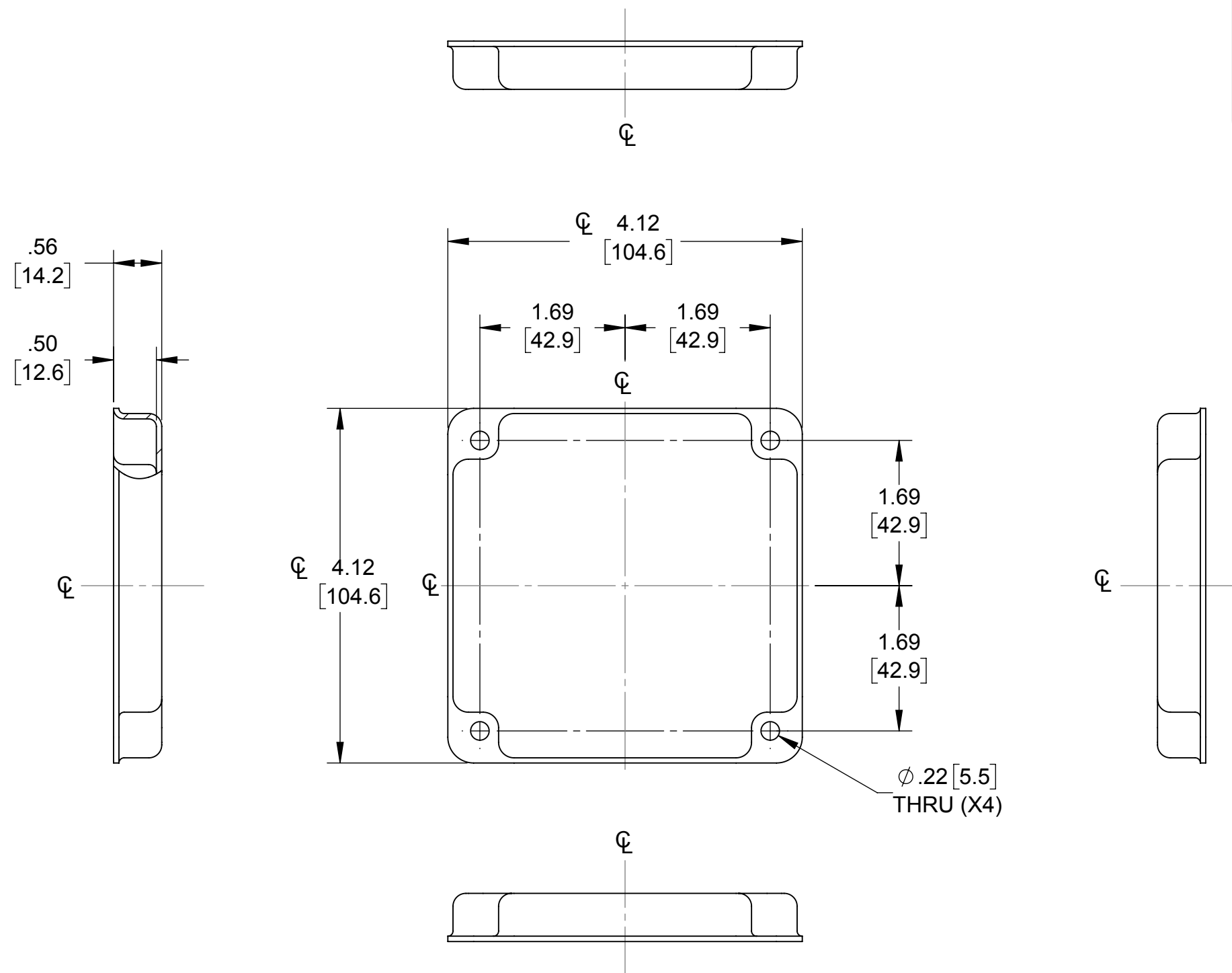
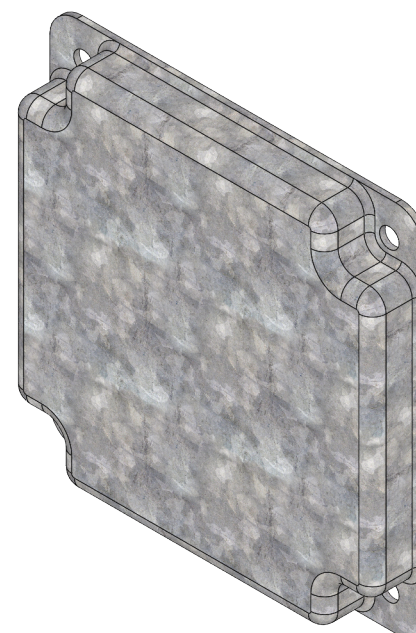


LIST OF PARTS

| DESCRIPTION | MATERIAL | FINISH |
|-------------|----------|------------|
| COVER | STEEL | GALVANIZED |
| | | |
| | | |
| | | |
| | | |
| | | |



- NOTES:
- ALL DIMENSIONS ARE IN INCHES AND [MILLIMETERS]
 - BOX VOLUME: 6.5 IN³ [107] CM³
 - UL LISTED

| SYM. | REVISION DESCRIPTION | APP | DATE |
|------|----------------------|-----|----------|
| | INITIAL RELEASE | RMV | 03-30-17 |

THE DESIGN AND DIMENSIONS OF THE PRODUCT SHOWN ON THIS DRAWING ARE SUBJECT TO CHANGE WITHOUT NOTICE

TITLE:
4" SQ. CRUSHED CORNER COVER, BLANK

| | | | |
|---|------------------------------------|-----|--------|
| <small>TOLERANCE UNLESS OTHERWISE SPECIFIED</small> .XX DECIMAL ±.015 .XXX DECIMAL ±.005 ANGLE ±2° | RACO South Bend, Indiana | | SCALE: |
| | DRAWN BY: | RMV | 1:1.5 |
| | APP. BY: | RMV | |
| DATE: | 03-30-17 | | |