

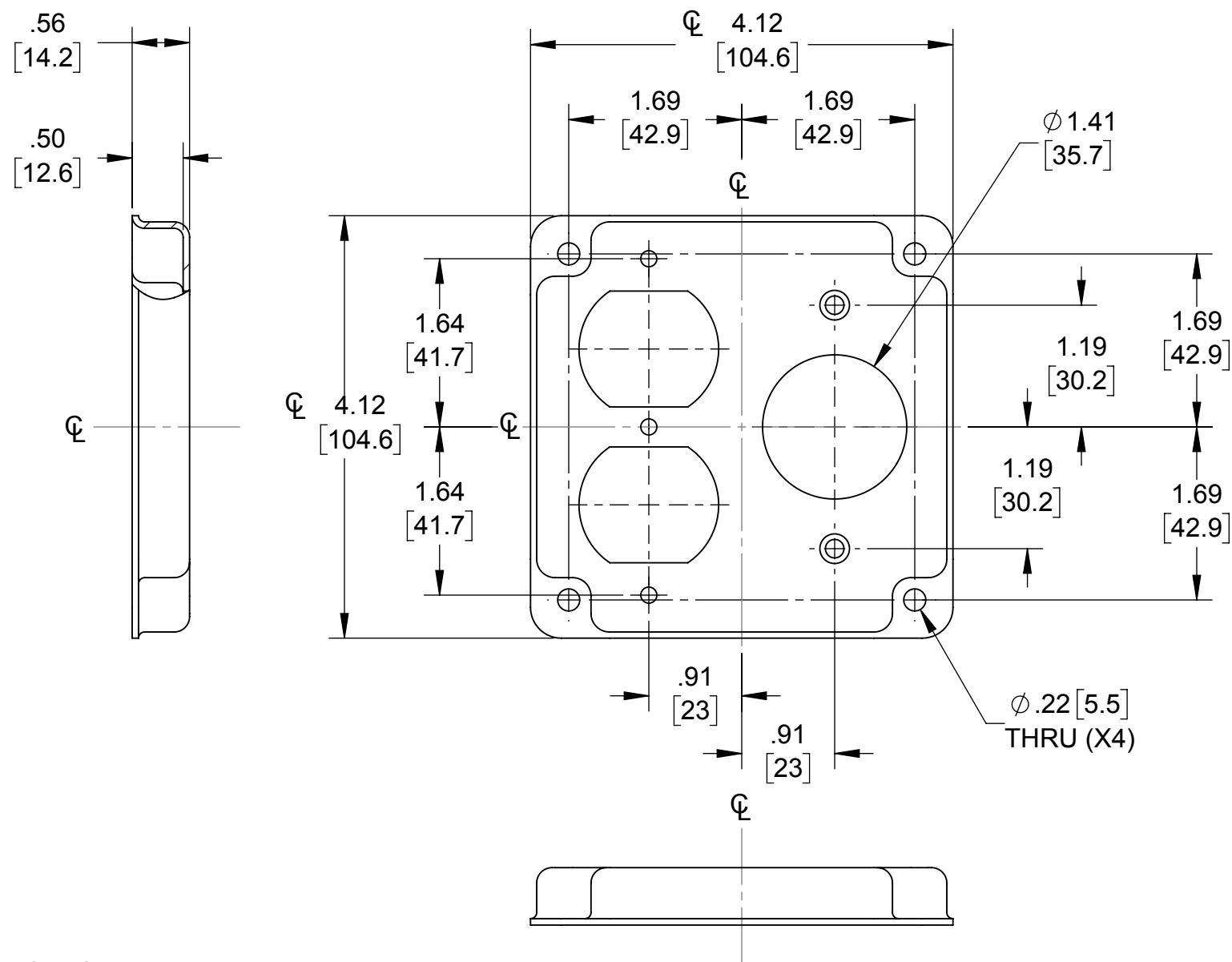
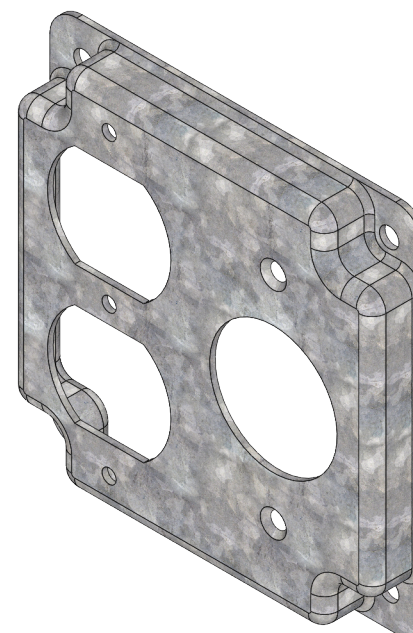
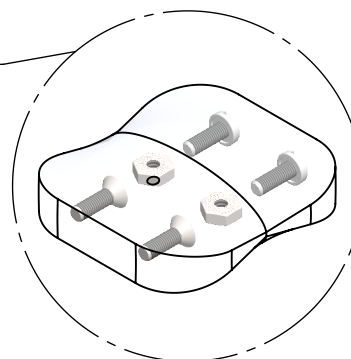
**LIST OF PARTS**

DESCRIPTION	MATERIAL	FINISH
COVER	STEEL	GALVANIZED
SCREWS	STEEL	GALVANIZED
NUTS	STEEL	GALVANIZED

#6-32 X 7/16" COUNTERSINK  
MACHINE SCREWS (QTY. 2)

#6-32 X 11/32" BINDING HEAD  
MACHINE SCREWS (QTY.2)

#6-32 HEX NUTS (QTY. 2)



- NOTES:  
 1. ALL DIMENSIONS ARE IN INCHES AND [MILLIMETERS]  
 2. BOX VOLUME: 6.5 IN<sup>3</sup> [107] CM<sup>3</sup>  
 3. UL LISTED

	INITIAL RELEASE	RMV	03-30-17
SYM.	REVISION DESCRIPTION	APP	DATE

THE DESIGN AND DIMENSIONS OF THE PRODUCT SHOWN ON THIS DRAWING ARE SUBJECT TO CHANGE WITHOUT NOTICE

TITLE:  
**4" SQ. CRUSHED CORNER COVER, (1)  
 DUPLEX & (1) RECT 1.406"**

TOLERANCE UNLESS OTHERWISE SPECIFIED

.XX DECIMAL ±.015  
 .XXX DECIMAL ±.005  
 ANGLE ±2°

**RACO**  
 South Bend, Indiana

DRAWN BY:	RMV	SCALE:
APP. BY:	RMV	1:1.5
DATE:	03-30-17	