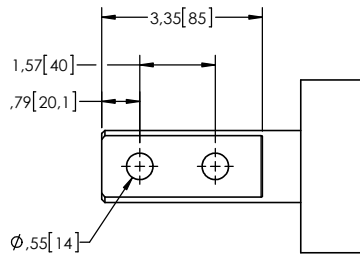
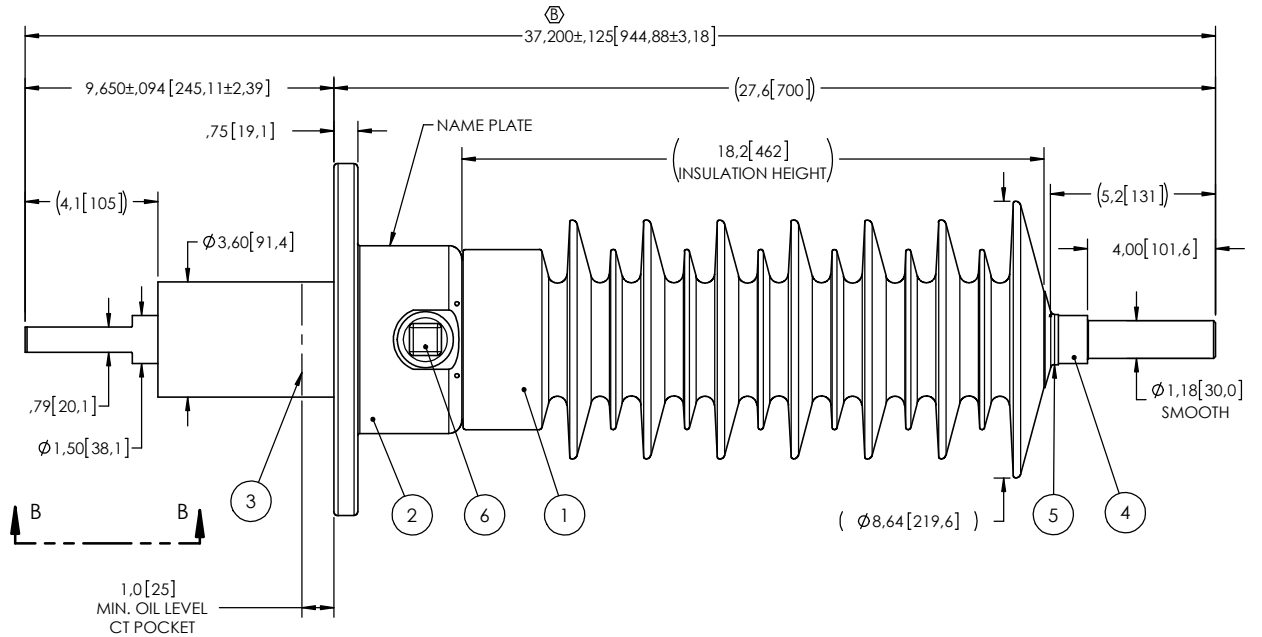
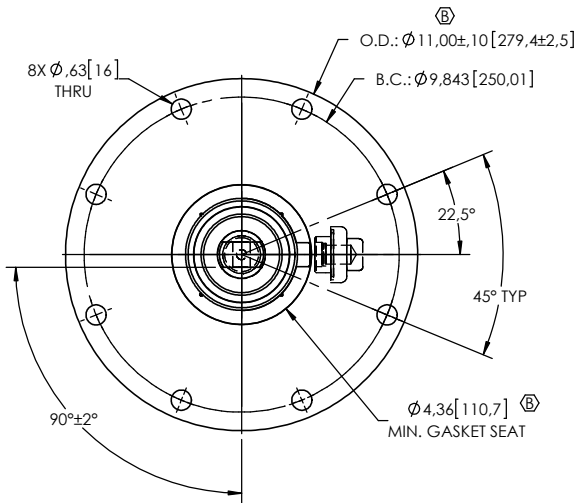


NOTES:

- 1 CREEPAGE DISTANCE: 51.7" / 1314mm
- 2 ARC DISTANCE: 20.6" / 522mm
- 3 NOMINAL VOLTAGE: 52kV
- 4 NOMINAL CURRENT: 1600A
- 5 WITHSTAND VOLTAGE AT 60 sec.: 105kV
- 6 B.I.L. : 250kV
- 7 ROUTINE TEST ACCORDING TO: CEI 60137
- 8 MAX. TORQUE APPLIED ON FLANGE BOLTS: 40 lbf x ft / 54.2 N.m
- 9 WEIGHT: 58 lbs / 26.3 Kg

REVISIONS					
ZONE	REV.	DESCRIPTION	DRAWN BY	DATE	APPR.
	A	ADD DRAWING NO. FOR SHIELD ASSEMBLY S-8498-7869 CHANGE MODEL WAS 200-020-T-808-00 BECOME 250-020-T-808-00	J.N.PILOTTE	2013-04-10	J.V.
	B	GENERAL UPDATE AS PER STANDARD + OUTSIDE OF FLANGE WAS AT 11.42"	A.SAVARD	2016-09-19	J.V.



VIEW B-B
SCALE 1 : 4

ITEM NO.	QTY	DRAWING NO.	PART NO.	DESCRIPTION	NOTE / MATL
6	1	S-1001-2022		CAPACITANCE TAP ASSEMBLY	ALUMINUM
5	1	S-1001-0007		CAP	COPPER
4	1	S-8498-7870		ROD ASSEMBLY	COPPER
7	1	S-8498-7869		SHIELD ASSEMBLY	COPPER
2	1	S-8498-7868		FLANGE	ALUMINUM
1	1	S-8498-7867	-001	CASTING, CYCLOALIPHATIC RESIN	EC-APG-02

PARTS LIST

GENERAL TOLERANCES
(UNLESS OTHERWISE SPECIFIED)

X.	±0.125
.X	±0.094
.XX	±0.063
.XXX	±0.031
ANGLES	±0.25°
RADIUS	±0.031

REMOVE BURRS AND
BREAK SHARP EDGES

DIMENSIONS ARE IN
INCHES
(UNLESS OTHERWISE SPECIFIED)

Electro Composites
solid HV bushings solution

TITLE:
SDC® BUSHING 52kV, 1600A
MODEL: 250-020-T-808-00

DRAWN BY: J.N.PILOTTE	DATE: 2013/04/02	FORMAT: A	CAGE CODE:	DRAWING NO.: S-8498-7867	REVISION: B
CHECK BY:	PROJECTING.:	PROJECT MANAGER:	SCALE: 1:6	GENERATED BY: SolidWorks 2013	SHEET: 1 of 1

This drawing is the proprietary property of Electro Composites (2008) ULC, not part of the public domain, and is issued with the express understanding and agreement that it is not to be reproduced or copied in whole or in part or issued for furnishing information to others, or used directly or indirectly, in any way detrimental to the interest of Electro Composites (2008) ULC and is to be returned upon request by Electro Composites (2008) ULC. All Rights Reserved.