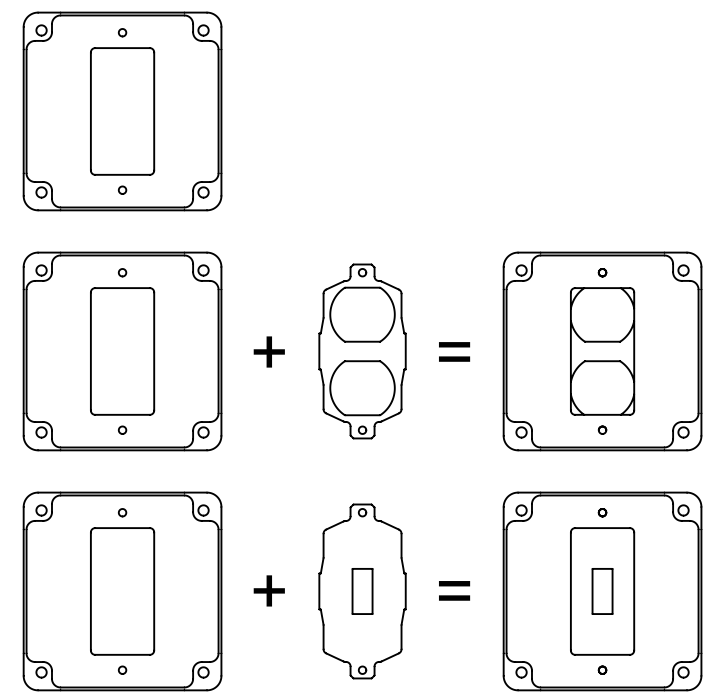
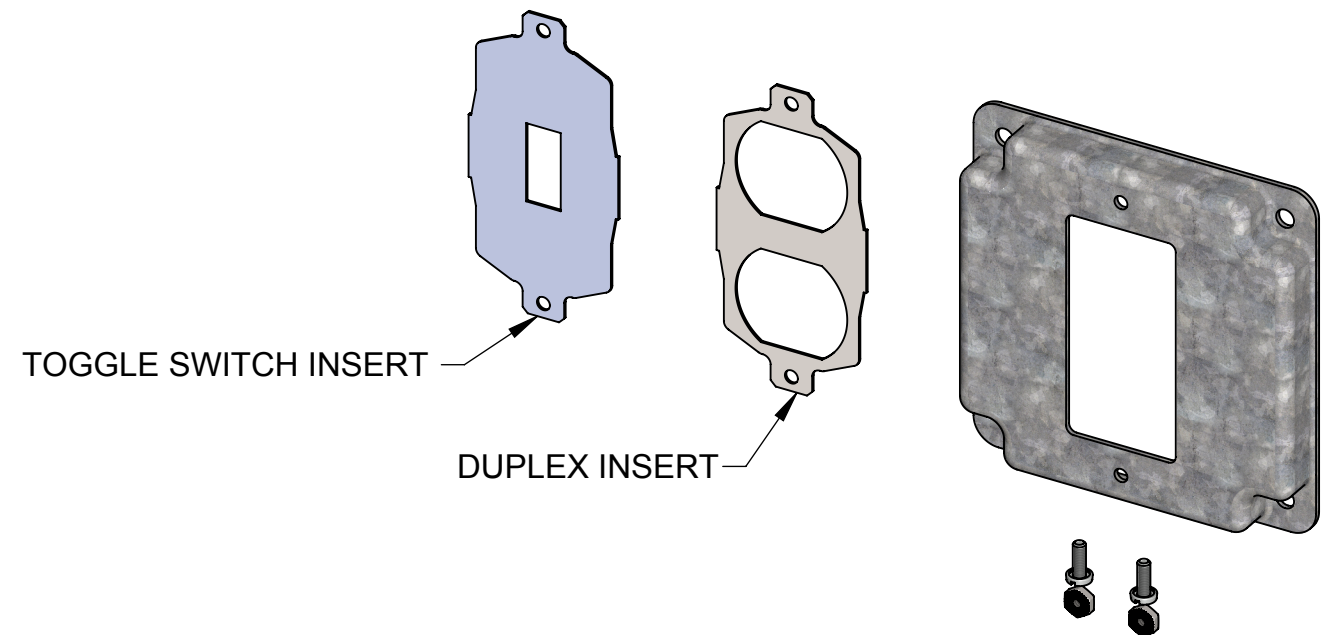
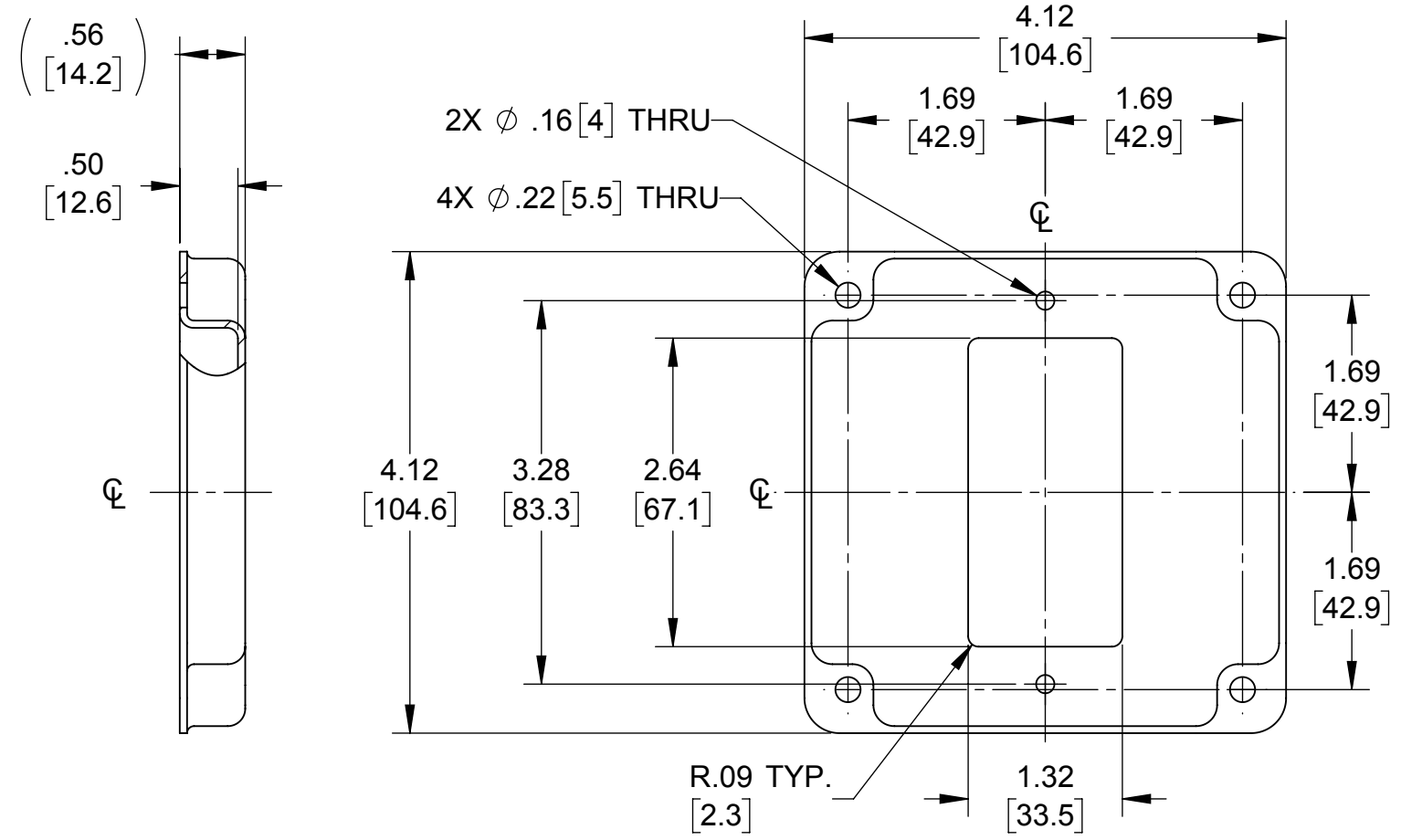


LIST OF PARTS

DESCRIPTION	MATERIAL	FINISH
COVER	STEEL	GALVANIZED
INSERTS	STEEL	GALVANIZED
SCREWS	STEEL	GALVANIZED
NUTS	STEEL	GALVANIZED



POSSIBLE ASSEMBLY COMBINATIONS



- NOTES:
 1. ALL DIMENSIONS ARE IN INCHES AND [MILLIMETERS]
 2. BOX VOLUME: 6.5 IN³ [107] CM³
 3. UL LISTED

SYM.	REVISION DESCRIPTION	APP	DATE
	INITIAL RELEASE	RMV	07-31-17

THE DESIGN AND DIMENSIONS OF THE PRODUCT SHOWN ON THIS DRAWING ARE SUBJECT TO CHANGE WITHOUT NOTICE

TITLE:
**4" SQ. CRUSHED CORNER COVER,
 (1) GFCI**

TOLERANCE UNLESS OTHERWISE SPECIFIED		RACO South Bend, Indiana		
.XX DECIMAL ±.015	DRAWN BY: RMV			SCALE: B
.XXX DECIMAL ±.005	APP. BY: N.S.			1:1.5
ANGLE ±2°	DATE: 07-31-17			