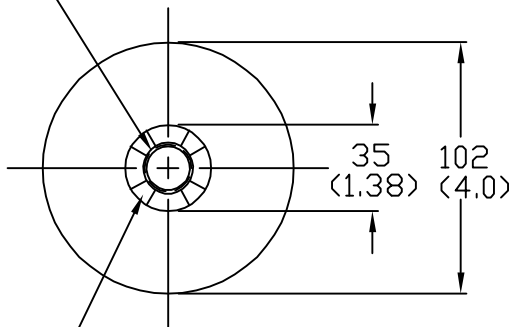
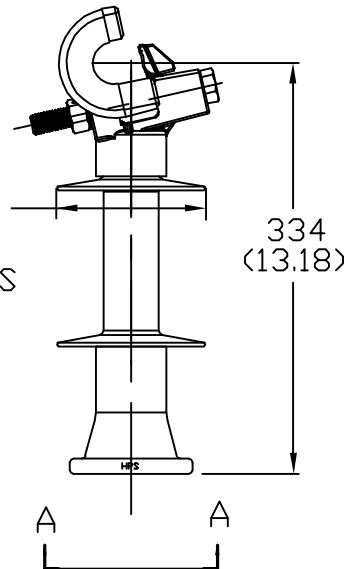


3/4-10 UFS-2B TAPPED HOLE
PER ANSI C29.7



CAST IN SERRATED LOCKING
PAD PER ANSI C29.7


VIEW A-A
2X SCALE



DRY ARCING DISTANCE	188 MM (7.4 IN)
LEAKAGE DISTANCE	279 MM (11.0 IN)
60 Hz DRY FLASHOVER	90 kV
60 Hz WET FLASHOVER	70 kV
IMPULSE POS. CRITICAL; FLASHOVER	150 kV
IMPULSE POS. WITHSTAND	140 kV
SCL	12.5 kN (2800 LB)
RCL	5.5 kN (1235 LB)
NET WEIGHT	3.1 KG (6.9 LB.)

CLAMP CONDUCTOR RANGE	0.20"-1.34"
CLAMP MATERIAL	ALUMINIUM
INSULATOR MATERIAL	SILICONE RUBBER
BASE MATERIAL	DUCTILIE IRON
STANDARDS MET	ANSI C29.18, CSA C411.6

TOP CLAMP RECOMMENDED TORQUE: 70 ft-lbs. SEE INSTRUCTION SHEET 17-5142.

<p>CONFIDENTIAL: THIS DRAWING AND ITS CONTENTS ARE CONFIDENTIAL AND THE EXCLUSIVE PROPERTY OF HUBBELL POWER SYSTEMS. NO PUBLICATION, DISTRIBUTION OR COPIES MAY BE MADE WITHOUT THE WRITTEN CONSENT OF HUBBELL POWER SYSTEMS. HUBBELL POWER SYSTEMS UNPUBLISHED ALL RIGHTS RESERVED UNDER THE COPYRIGHT LAWS.</p>			<h1>HUBBELL® POWER SYSTEMS</h1>	
	<p>TITLE</p> <h2>VERI LITE</h2> <h3>15 KV LINE POST</h3>			
REV DATE	SIZE	DWG NO.	CAT / PART / ASSY NO.	REV
12/14/17	S	--	80S015-0K09	4
DO NOT SCALE THIS DRAWING		DRN BY JVR	DATE 06/13/13	SHEET 1 OF 1