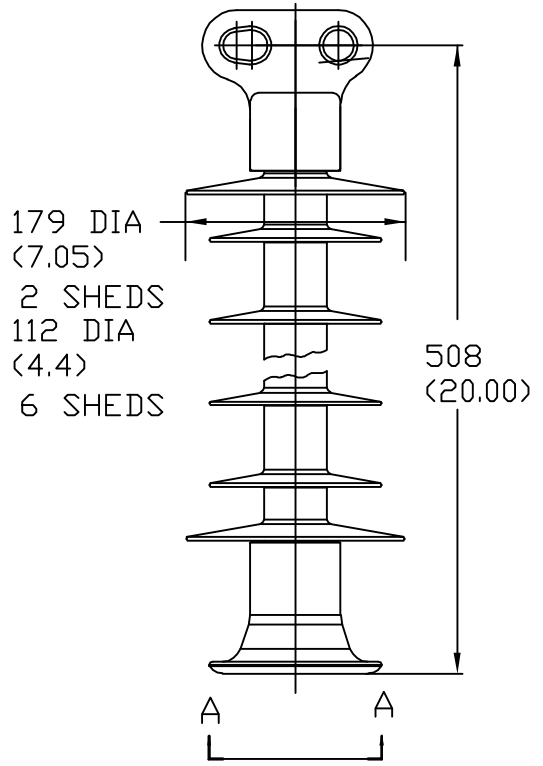


VIEW A-A
2X SCALE



DRY ARCING DISTANCE	_____	390 MM (14.4 IN)
LEAKAGE DISTANCE	_____	872 MM (34.3 IN)
60 Hz DRY FLASHOVER	_____	170 kV
60 Hz WET FLASHOVER	_____	125 kV
IMPULSE POS. CRITICAL; FLASHOVER	_____	260 kV
IMPULSE POS. WITHSTAND	_____	235 kV
SCL	_____	12.5 kN (2800 LB.)
RCL	_____	5.5 kN (1235 LB.)
NET WEIGHT	_____	6.6 KG 14.6 LB.)

OHIO BRASS
TOLERANCE CHART

CONFIDENTIAL: THIS DRAWING AND ITS CONTENTS ARE CONFIDENTIAL AND THE EXCLUSIVE PROPERTY OF HUBBELL POWER SYSTEMS. NO PUBLICATION, DISTRIBUTION OR COPIES MAY BE MADE WITHOUT THE WRITTEN CONSENT OF HUBBELL POWER SYSTEMS. HUBBELL POWER SYSTEMS UNPUBLISHED ALL RIGHTS RESERVED UNDER THE COPYRIGHT LAWS.

HUBBELL POWER SYSTEMS

TITLE
VERI LITE
46 KV LINE POST

SIZE S	DWG NO. --	CAT / PART / ASSY NO. 80S046-0009	REV 3
-----------	---------------	--------------------------------------	----------

DO NOT SCALE THIS DRAWING

DRN BY JVR

DATE 09/01/05

SHEET 1 OF 1

REV DATE 03/25/08