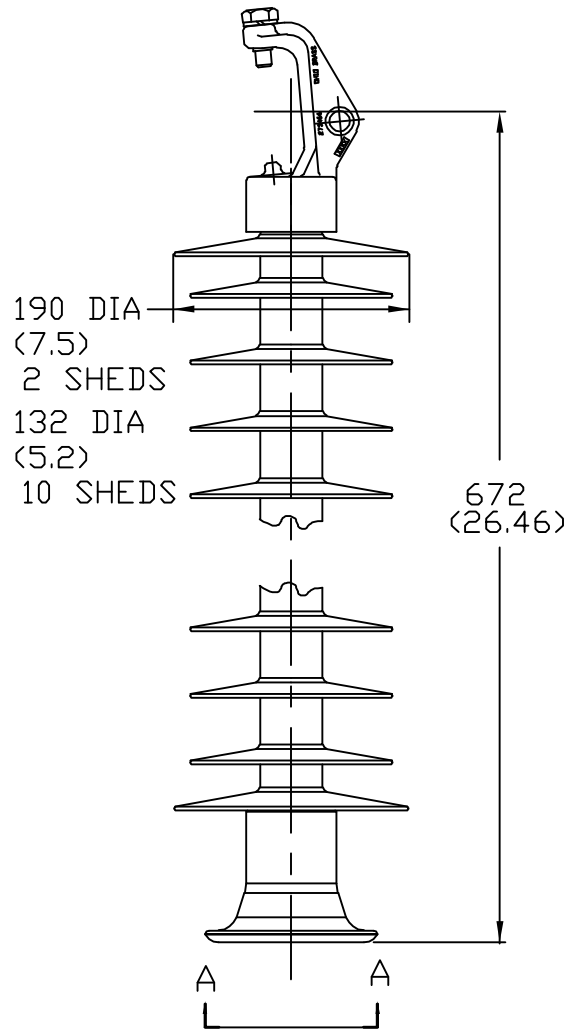



CAST IN SERRATED LOCKING  
PAD PER ANSI C29.7

VIEW A-A  
2X SCALE



DRY ARCING DISTANCE	566 MM (22.3 IN)
LEAKAGE DISTANCE	1478 MM (58.2 IN)
60 Hz DRY FLASHOVER	230 kV
60 Hz WET FLASHOVER	180 kV
IMPULSE POS. CRITICAL FLASHOVER	360 kV
IMPULSE POS. WITHSTAND	330 kV
SCL	11 kN (2470 LB.)
RCL	5.5 kN (1235 LB.)
NET WEIGHT	7.2 KG (15.9 LB.)

CONFIDENTIAL: THIS DRAWING AND ITS CONTENTS ARE CONFIDENTIAL AND THE EXCLUSIVE PROPERTY OF HUBBELL POWER SYSTEMS. NO PUBLICATION, DISTRIBUTION OR COPIES MAY BE MADE WITHOUT THE WRITTEN CONSENT OF HUBBELL POWER SYSTEMS. HUBBELL POWER SYSTEMS UNPUBLISHED ALL RIGHTS RESERVED UNDER THE COPYRIGHT LAWS.	 <b>HUBBELL® POWER SYSTEMS</b>		
	TITLE <b>VERI LITE 69 KV LINE POST</b>		
SIZE S	DWG NO. --	CAT / PART / ASSY NO. 80S069-0110	REV 4
DO NOT SCALE THIS DRAWING	DRN BY JVR	DATE 09/01/05	SHEET 1 OF 1

REV DATE 06/21/11