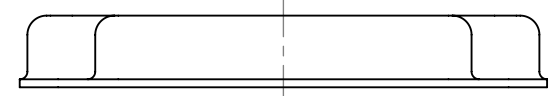
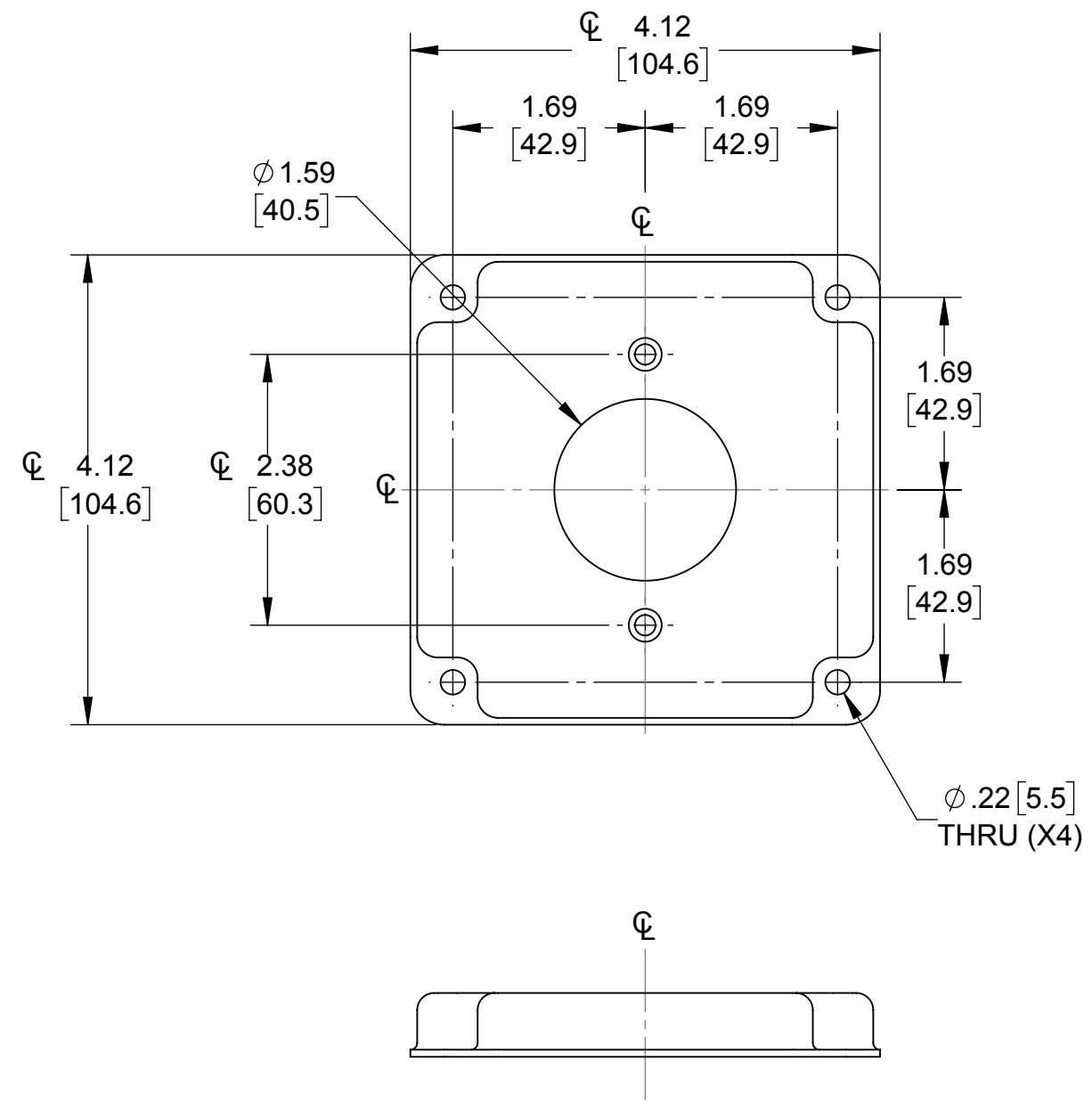
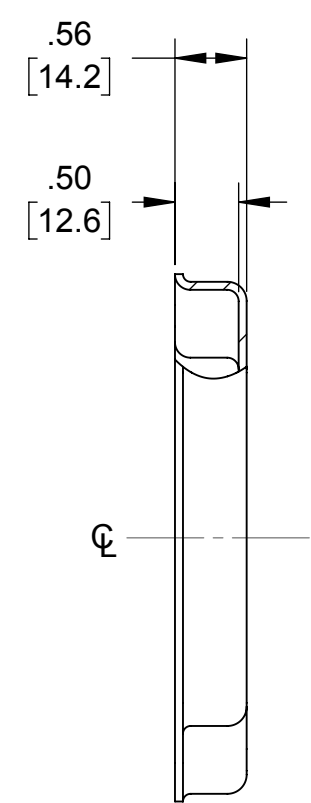
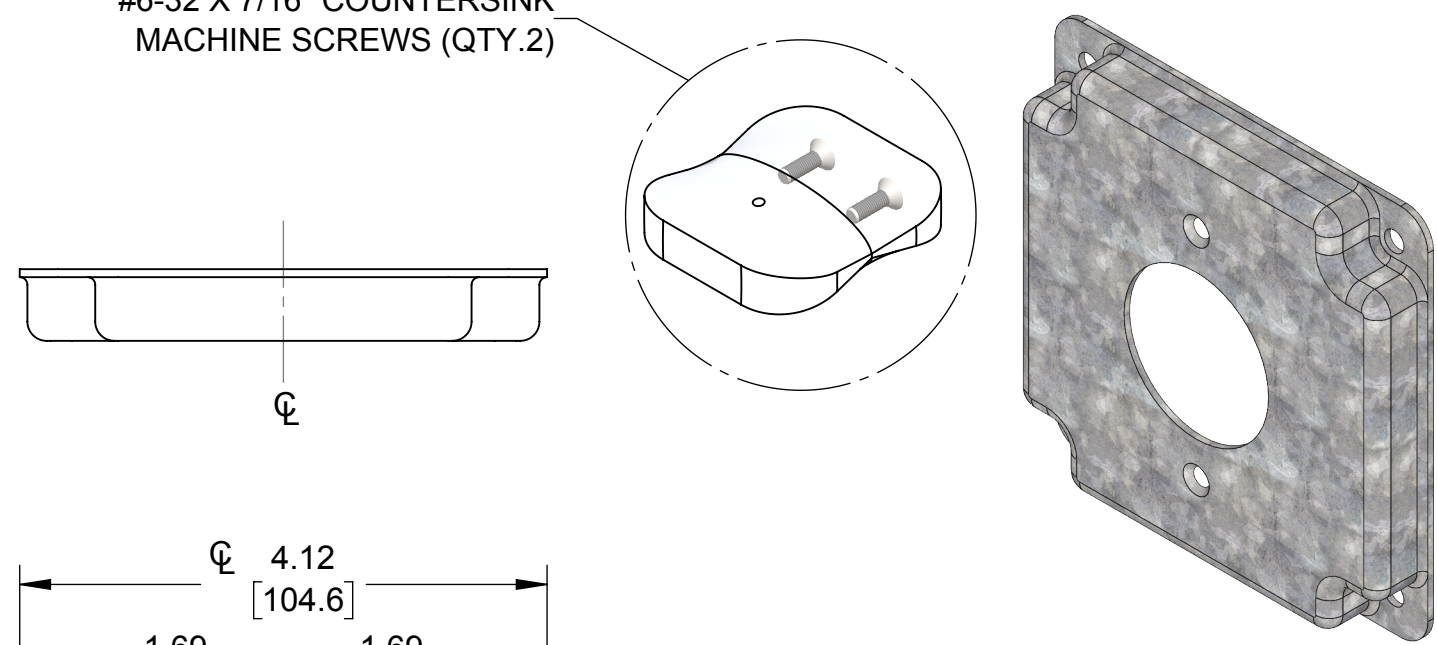


LIST OF PARTS

DESCRIPTION	MATERIAL	FINISH
COVER	STEEL	GALVANIZED
SCREWS	STEEL	GALVANIZED

#6-32 X 7/16" COUNTERSINK
MACHINE SCREWS (QTY.2)



SYM.	REVISION DESCRIPTION	APP	DATE
	INITIAL RELEASE	RMV	03-31-17

THE DESIGN AND DIMENSIONS OF THE
PRODUCT SHOWN ON THIS DRAWING ARE
SUBJECT TO CHANGE WITHOUT NOTICE

TITLE:
**4" SQ. CRUSHED CORNER COVER,
(1) 20A RECT 1.594"**

TOLERANCE UNLESS OTHERWISE SPECIFIED		RACO South Bend, Indiana	
.XX DECIMAL ±.015	DRAWN BY: RMV	SCALE:	1:1.5
.XXX DECIMAL ±.005	APP. BY: RMV	DATE: 03-31-17	
ANGLE ±2°			

- NOTES:
- ALL DIMENSIONS ARE IN INCHES AND [MILLIMETERS]
 - BOX VOLUME: 6.5 IN³ [107] CM³
 - UL LISTED