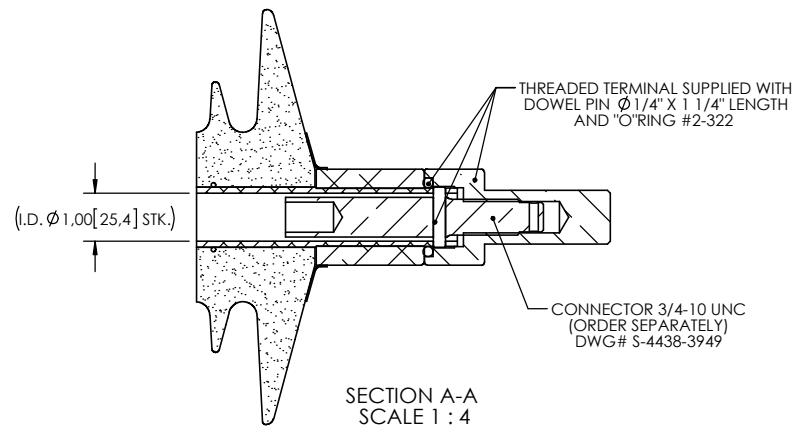
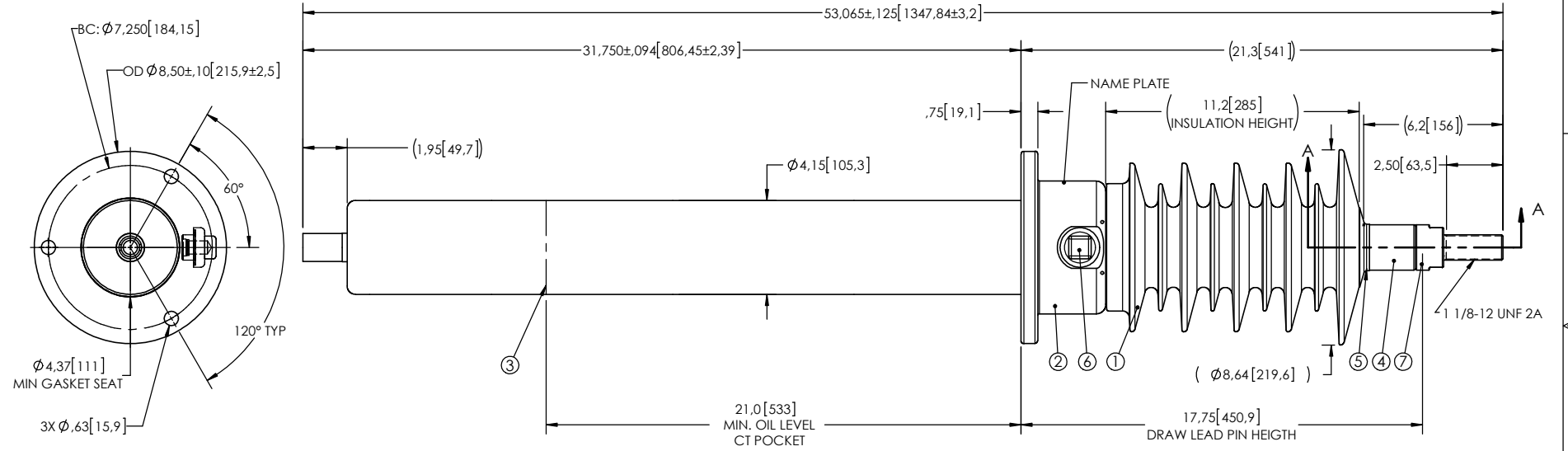


NOTES:

- 1 CREEPAGE DISTANCE: 33.3"/847mm
- 2 ARC DISTANCE: 13.6"/345mm
- 3 NOMINAL VOLTAGE: 34.5kV
- 4 NOMINAL CURRENT: 400A
- 5 WITHSTAND VOLTAGE AT 60 sec.: 80 kV
- 6 B.I.L. : 200 kV
- 7 ROUTINE TEST ACCORDING TO: IEEE C57.19.01
- 8 MAX. TORQUE APPLIED ON FLANGE BOLTS: 40 lbf x ft / 54.2 N.m)
- 9 WEIGHT: 53 lbs / 24.3 Kg

REVISIONS					
ZONE	REV.	DESCRIPTION	DRAWN BY	DATE	APPR.



ITEM NO.	Qté	DRAWING NO.	PART NO.	DESCRIPTION	NOTE / MAT'L
7	1	S-4915-4369-0		THREADED TERMINAL KIT	COPPER
6	1	S-1001-2022		CAPACITANCE TAP ASSEMBLY	ALUMINUM
5	1	S-1344-0162-1		CAP	ALUMINUM
4	1	S-8942-8919		TUBE ASSEMBLY	ALUMINUM
3	1	S-8942-8918		SHIELD ASSEMBLY	COPPER
2	1	S-8432-7892		FLANGE	ALUMINUM
1	1	S-8942-8917	-001	CASTING, CYCLOALIPHATIC RESIN	EC-APG-02

Electro Composites™
solid HV bushings solution

TITLE:
SDC® BUSHING 34.5kV, 400A
MODEL: 200-004-T-813-01

DRAWN BY: J.N.PILOTTE	DATE: 2015-08-24	FORMAT: A	CAGE CODE	DRAWING NO. S-8942-8917	REVISION NR
CHECK BY:		PROJECTING:		GENERATED BY: SolidWorks 2013	SHEET 1 of 1
PROJECT MANAGER:		SCALE: 1:7			

GENERAL TOLERANCES (UNLESS OTHERWISE SPECIFIED)

X.	±0.125
.X	±0.094
.XX	±0.063
.XXX	±0.031
ANGLES	±0.25°
RADIUS	±0.031

REMOVE BURRS AND BREAK SHARP EDGES

DIMENSIONS ARE IN INCHES (UNLESS OTHERWISE SPECIFIED)

This drawing is the proprietary property of Electro Composites (2008) ULC, not part of the public domain, and is issued with the express understanding and agreement that it is not to be reproduced or copied in whole or in part or issued for furnishing information to others, or used directly or indirectly, in any way detrimental to the interest of Electro Composites (2008) ULC and is to be returned upon request by Electro Composites (2008) ULC. All Rights Reserved.