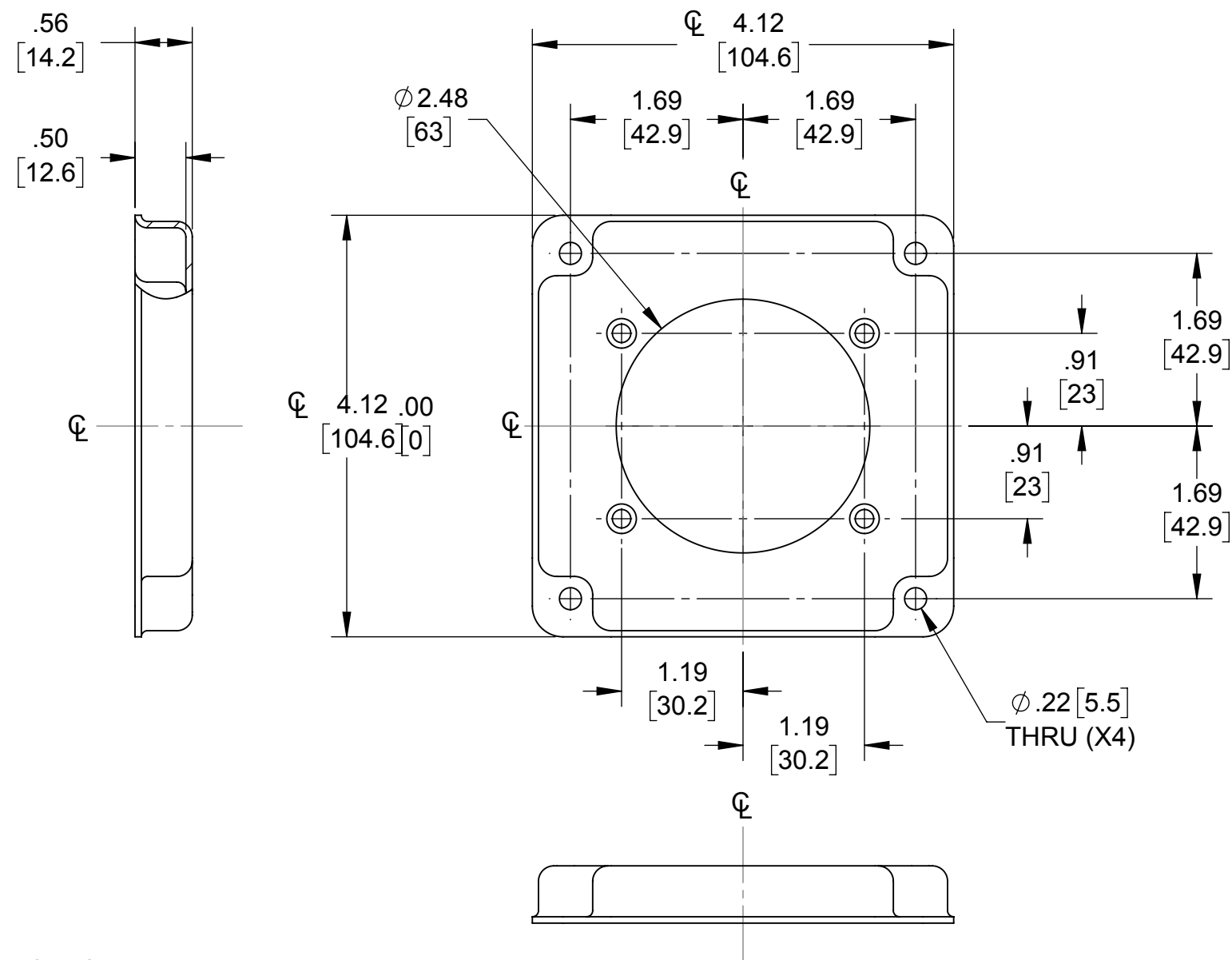
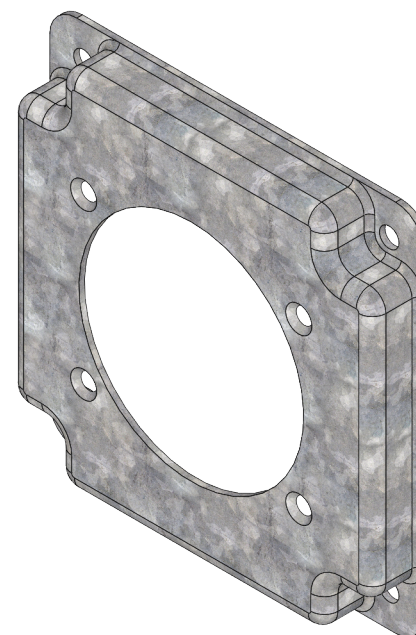
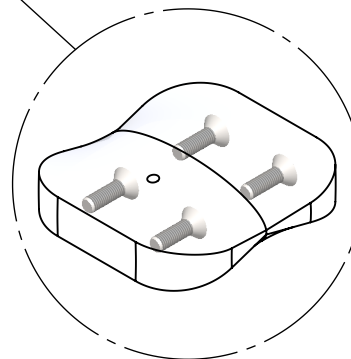


**LIST OF PARTS**

DESCRIPTION	MATERIAL	FINISH
COVER	STEEL	GALVANIZED
SCREWS	STEEL	GALVANIZED

#6-32 X 7/16" COUNTERSINK  
MACHINE SCREWS (QTY. 4)



- NOTES:
- ALL DIMENSIONS ARE IN INCHES AND [MILLIMETERS]
  - BOX VOLUME: 6.5 IN<sup>3</sup> [107] CM<sup>3</sup>
  - UL LISTED

SYM.	REVISION DESCRIPTION	APP	DATE
	INITIAL RELEASE	RMV	03-31-17

THE DESIGN AND DIMENSIONS OF THE  
PRODUCT SHOWN ON THIS DRAWING ARE  
SUBJECT TO CHANGE WITHOUT NOTICE

TITLE:  
**4" SQ. CRUSHED CORNER COVER, (1)  
RECT 2.480"**

TOLERANCE UNLESS  
OTHERWISE SPECIFIED

.XX DECIMAL ±.015  
.XXX DECIMAL ±.005  
ANGLE ±2°

**RACO**  
South Bend, Indiana

DRAWN BY:	RMV	SCALE:	1:1.5
APP. BY:	RMV		
DATE:	03-31-17		