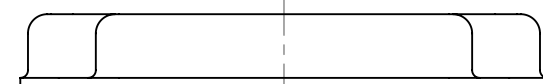
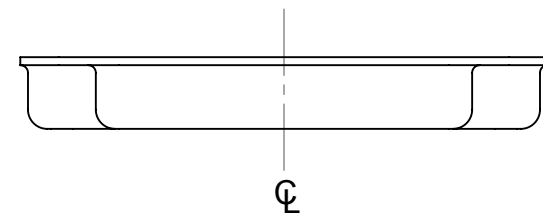
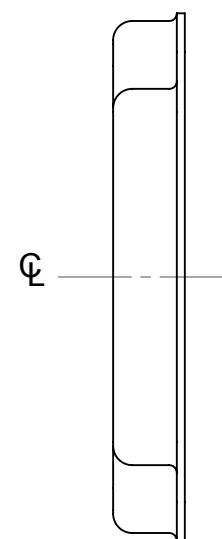
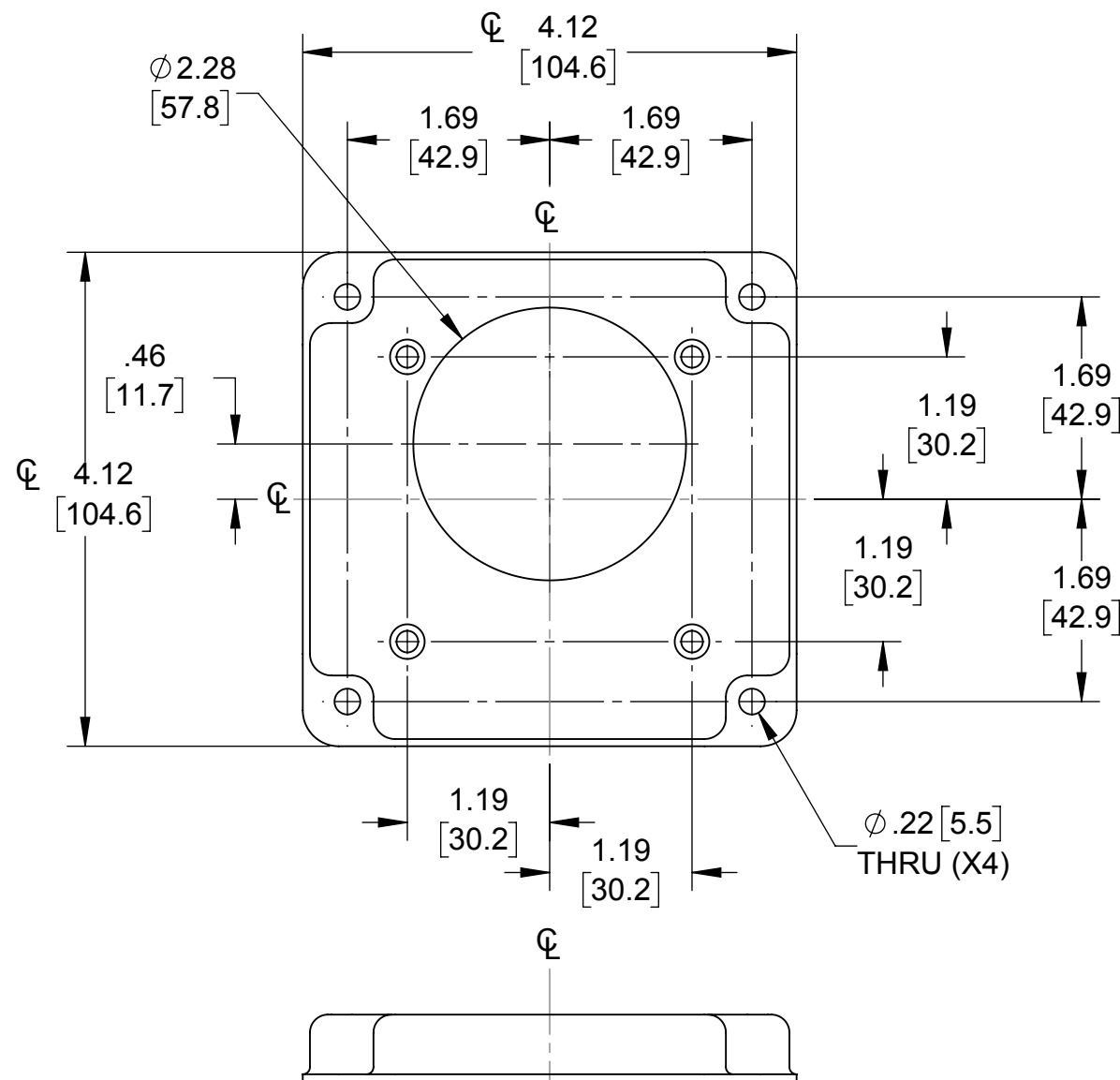
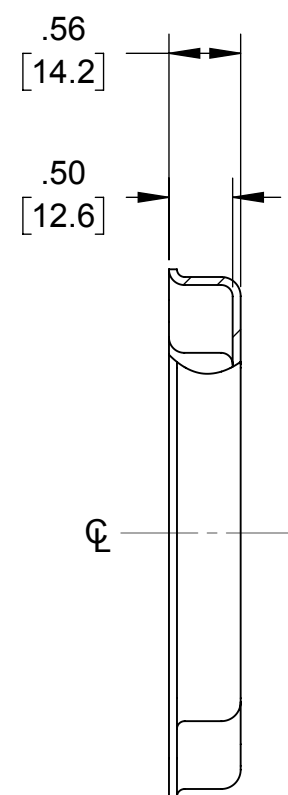
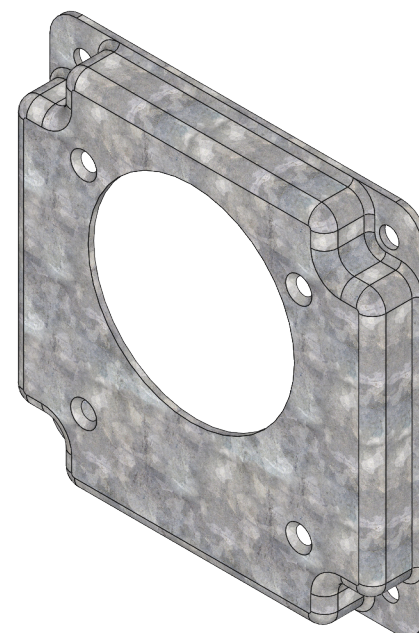
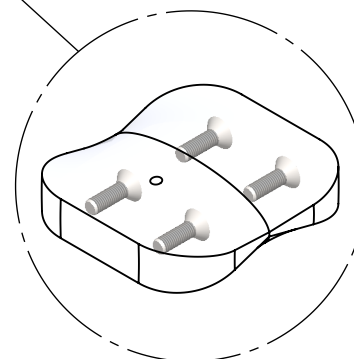


LIST OF PARTS

DESCRIPTION	MATERIAL	FINISH
COVER	STEEL	GALVANIZED
SCREWS	STEEL	GALVANIZED

#6-32 X 7/16" COUNTERSINK
MACHINE SCREWS (QTY. 4)



- NOTES:
1. ALL DIMENSIONS ARE IN INCHES AND [MILLIMETERS]
2. BOX VOLUME: 6.5 IN³ [107] CM³
3. UL LISTED

SYMBOL	REVISION DESCRIPTION	APP	DATE
	INITIAL RELEASE	RMV	03-31-17

THE DESIGN AND DIMENSIONS OF THE PRODUCT SHOWN ON THIS DRAWING ARE SUBJECT TO CHANGE WITHOUT NOTICE

TITLE:
**4" SQ. CRUSHED CORNER COVER, (1)
RECT 2.275" OFFSET**

TOLERANCE UNLESS OTHERWISE SPECIFIED

.XX DECIMAL ±.015
.XXX DECIMAL ±.005
ANGLE ±2°

RACO South Bend, Indiana		SCALE:
DRAWN BY:	RMV	1:1.5
APP. BY:	RMV	
DATE:	03-31-17	