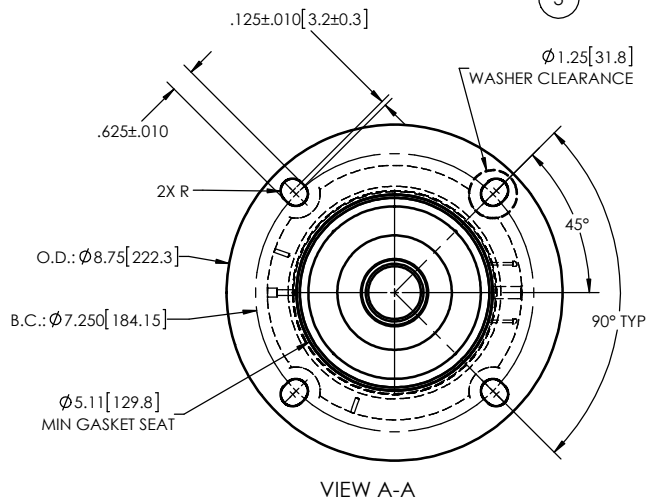
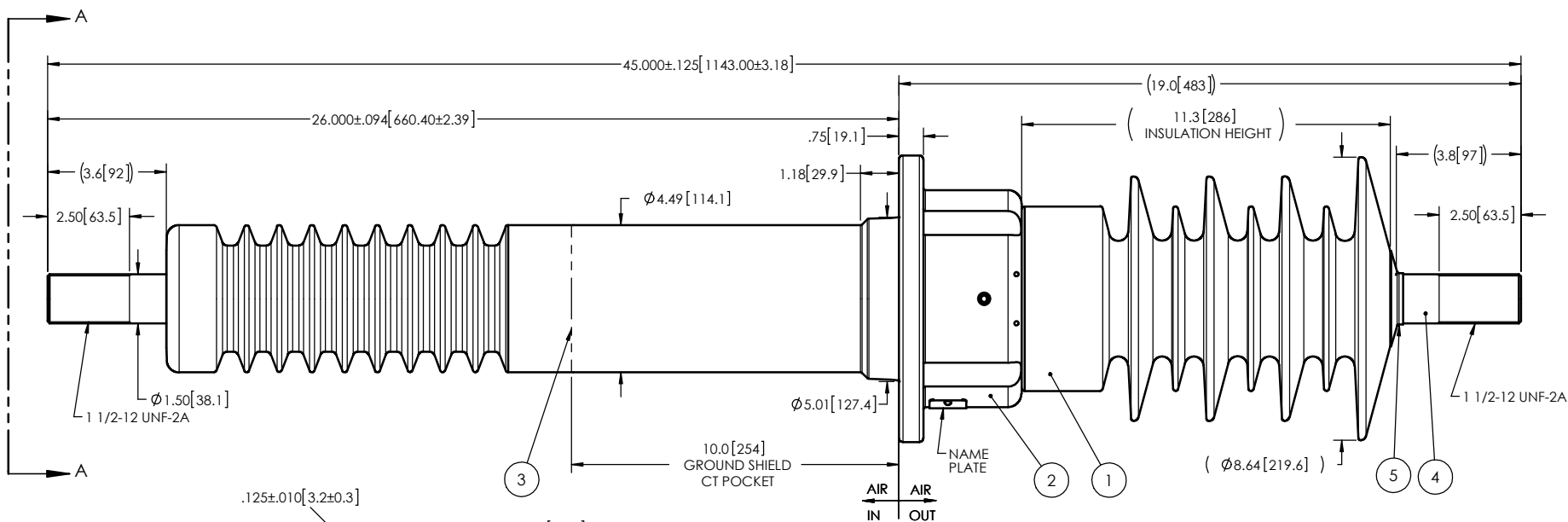


- NOTES:
- | | | | |
|---|--------------------------------------|----------------------|-------------------|
| 1 | CREEPAGE DISTANCE: | OUT: 30.4" / 772mm | IN: 20.9" / 531mm |
| 2 | ARC DISTANCE: | OUT: 13.4" / 340mm | IN: 13.9" / 353mm |
| 3 | NOMINAL VOLTAGE: | 34.5kV | |
| 4 | NOMINAL CURRENT: | 1500A | |
| 5 | VOLTAGE WITHSTAND, 60 sec.: | 80kV | |
| 6 | BIL: | 200kV | |
| 7 | ROUTINE TEST ACCORDING TO: | IEEE C57.19.01-1991 | |
| 8 | MAX. TORQUE APPLIED ON FLANGE BOLTS: | 40 lbf·ft / 54.2 N·m | |
| 9 | WEIGHT: | 77 lb / 34.9 Kg | |

REVISIONS					
ZONE	REV.	DESCRIPTION	DRAWN BY	DATE	APPR.



ITEM NO.	QTY	DRAWING NO.	PART NO.	DESCRIPTION	NOTE / MAT'L
5	1	S-1001-0007		CAP	COPPER
4	1	S-2477-9421		ROD ASSEMBLY	COPPER
3	1	S-3165-8163		SHIELD ASSEMBLY	COPPER
2	1	S-3165-8162		FLANGE	ALUMINUM
1	1	S-2477-9420	-001	CASTING, CYCLOALIPHATIC RESIN	EC-APG-02

PARTS LIST

GENERAL TOLERANCES (UNLESS OTHERWISE SPECIFIED) X. ±0.125 .X ±0.094 .XX ±0.063 .XXX ±0.010 ANGLES ±0.25° RADIUS ±0.031		Electro Composites™ solid HV bushings solution	
REMOVE BURRS AND BREAK SHARP EDGES DIMENSIONS ARE IN INCHES (UNLESS OTHERWISE SPECIFIED)		TITLE: SDC® BUSHING 34.5kV, 1500A MODEL: 200-015-W-843-02	
DRAWN BY: J.N.PILOTTE	DATE: 2017/07/13	FORMAT: A	CAGE CODE: S-2477-9420
CHECK BY:	PROJECTING:	SCALE: 1:5	DRAWING NO.: S-2477-9420
PROJECT MANAGER:	GENERATED BY: SolidWorks 2013	SHEET: 1 of 1	REVISION: NR

This drawing is the proprietary property of Electro Composites (2008) ULC, not part of the public domain, and is issued with the express understanding and agreement that it is not to be reproduced or copied in whole or in part or issued for furnishing information to others, or used directly or indirectly, in any way detrimental to the interest of Electro Composites (2008) ULC and is to be returned upon request by Electro Composites (2008) ULC. All Rights Reserved.