



PCORE
ELECTRIC

KV CLASS 15 kV BIL 110 kV Uy 10 kV

CURRENT RATING
1200 AMP BOTTOM CONNECTED

DWG.	CATALOG NUMBER	GLAZE COLOR
SD	B-85112	BROWN
SD	B-85112-70	LT. GRAY

DATE 12-01-88	REV. DATE 9-25-09
---------------	-------------------

MAXIMUM ALTITUDE 3000 m [10000 ft]

NET WEIGHT 17 kg [37 lb]

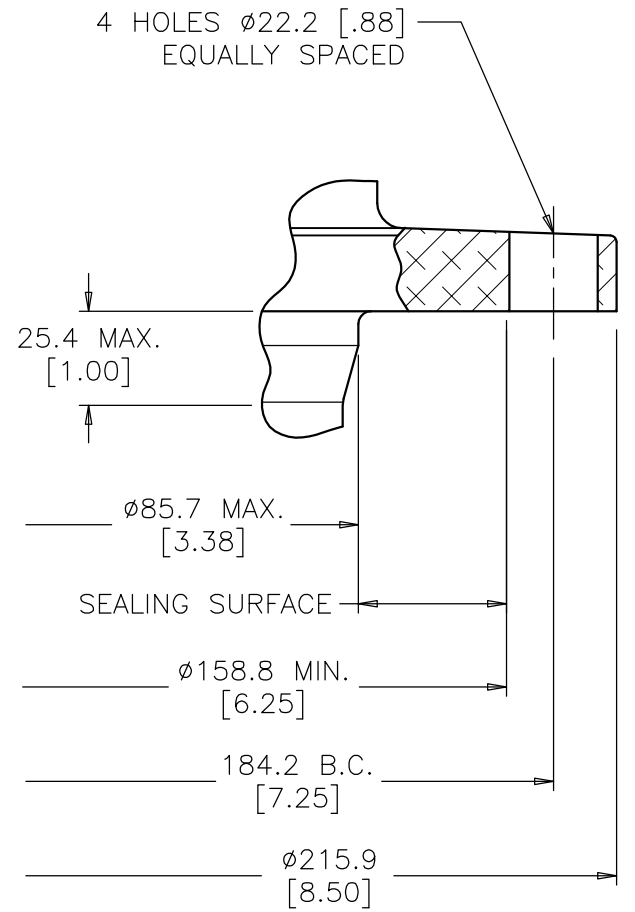
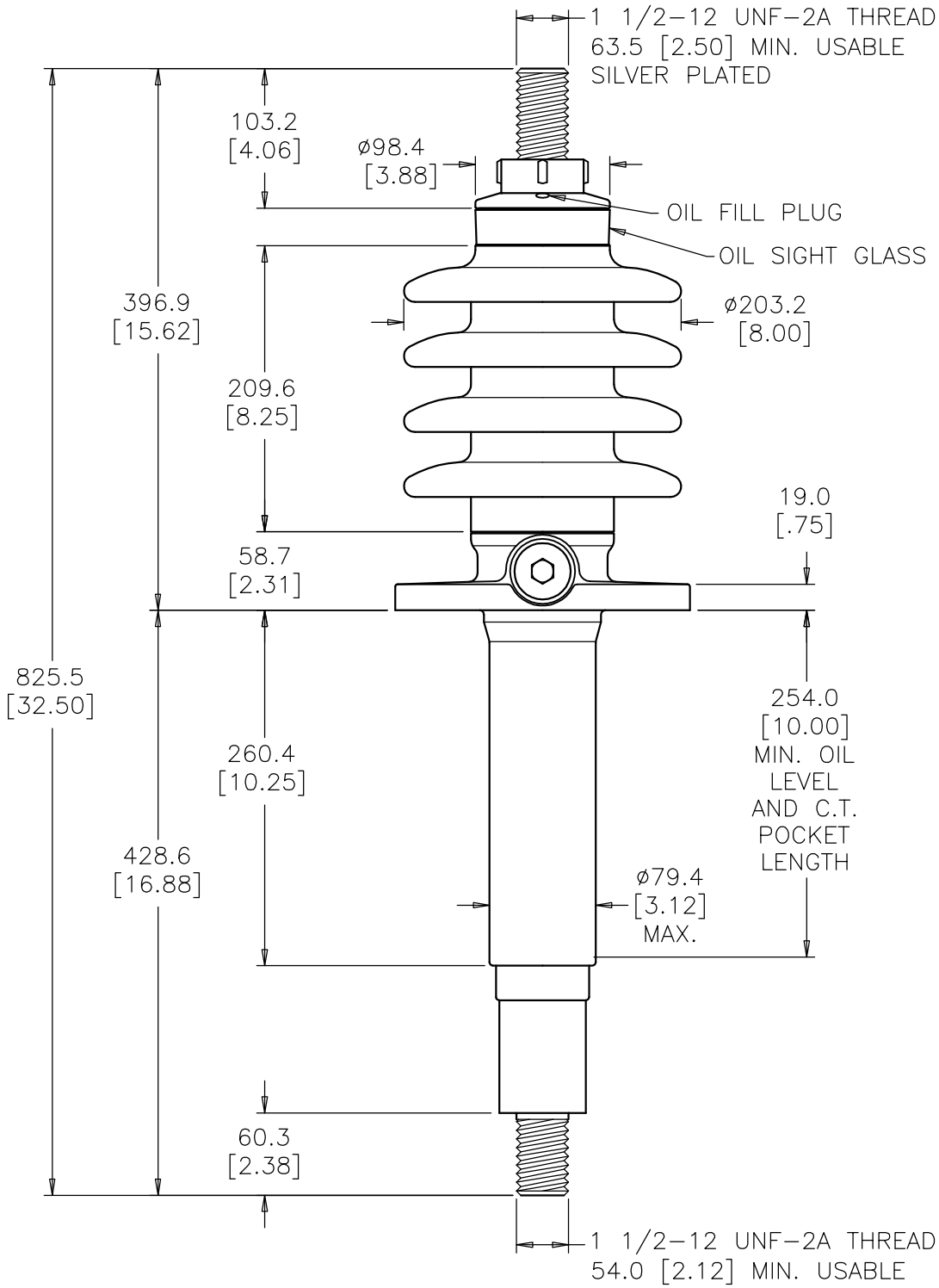
ANGLE OF INCLINATION FROM THE VERTICAL 0° TO 70°
--

MIN. CREEP 533.4 [21.00]	MIN. STRIKE 254.0 [10.00]
--------------------------	---------------------------

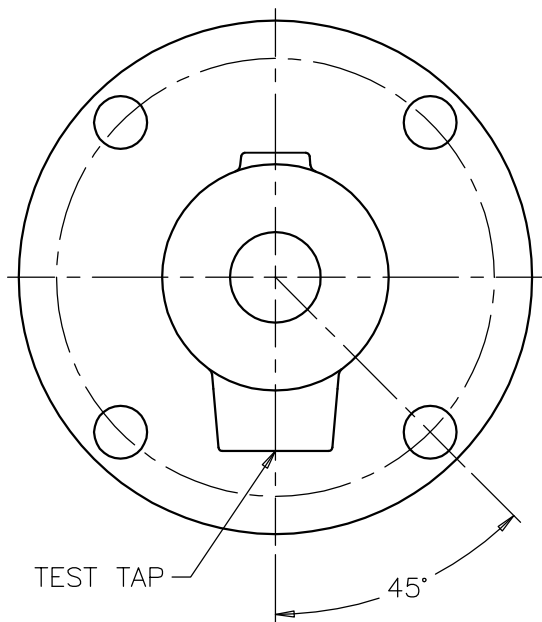
CREEP/Uy 53.3 [2.10]	STD. CSA C88.1
----------------------	----------------

PCB CONTENT OF OIL IS LESS THAN 1 ppm

TITLE
PRC BUSHING



MOUNTING FLANGE DETAIL



FLANGE ALIGNMENT DIAGRAM
TOP VIEW

DIMENSIONS IN MILLIMETERS [INCHES]

REVISION LIVE HEIGHT WAS 4.00, REMOVED °C, TEMPERATURE GOVERNED BY CSA STANDARDS

SCALE 1/5

NOTE TO PURCHASER:
ALL SALES OF PCORE PRODUCTS ARE SUBJECT TO OUR STANDARD TERMS AND CONDITIONS AND THE LIMITED WARRANTIES THEREUNDER