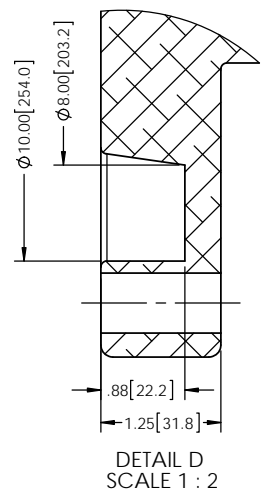
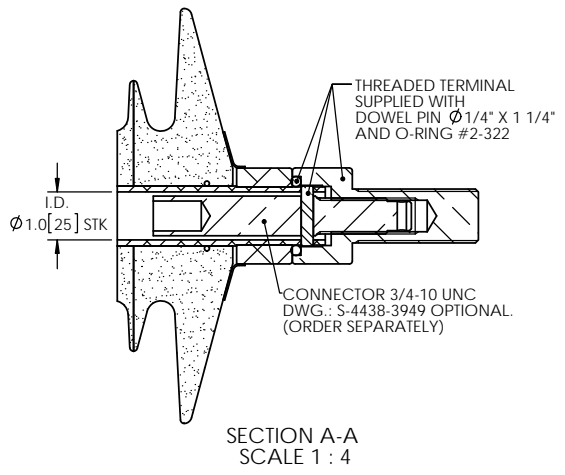
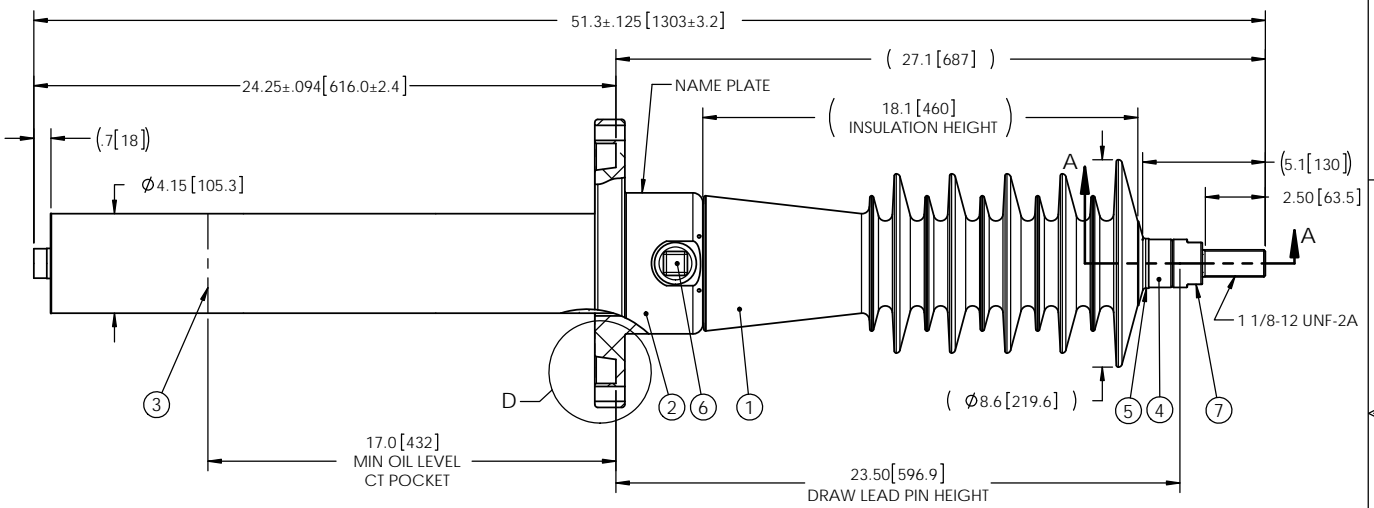
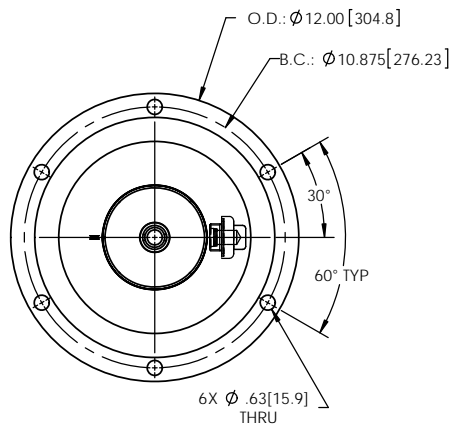


- NOTES:
- 1 CREEPAGE DISTANCE: 42.8" / 1087mm
 - 2 ARC DISTANCE: 20.2" / 513mm
 - 3 NOMINAL VOLTAGE: 46kV
 - 4 NOMINAL CURRENT: 400A
 - 5 VOLTAGE WITHSTAND, 60 sec.: 105kV
 - 6 BIL: 250kV
 - 7 ROUTINE TEST ACCORDING TO: IEEE C57.19.01
 - 8 MAX. TORQUE APPLIED ON FLANGE BOLTS: 40 lbf·ft / 54.2 N·m
 - 9 WEIGHT: 63 lb / 28.6 Kg

REVISIONS					
ZONE	REV.	DESCRIPTION	DRAWN BY	DATE	APPR.



ITEM NO.	QTY	DRAWING NO.	PART NO.	DESCRIPTION	NOTE / MAT'L
7	1	S-4915-4369-0		THREADED TERMINAL KIT	COPPER
6	1	S-1001-2022		CAPACITANCE TAP ASSEMBLY	ALUMINUM
5	1	S-1344-0162-1		CAP	ALUMINUM
4	1	S-6337-8237		TUBE ASSEMBLY	ALUMINUM
3	1	S-6337-8236		SHIELD ASSEMBLY	COPPER
2	1	S-6337-8235		FLANGE	ALUMINUM
1	1	S-6337-8234	-001	CASTING, CYCLOALIPHATIC RESIN	EC-APG-02

PARTS LIST								
GENERAL TOLERANCES (UNLESS OTHERWISE SPECIFIED)			<p align="center">Electro Composites solid HV bushings solution</p> <p>TITLE: SDC® BUSHING 46kV, 400A MODEL: 250-004-T-853-00</p>					
X.	±0.125	DRAWN BY: J. CLICHE				DATE: 2014/01/22	FORMAT: A	CAGE CODE
.X	±0.094							
.XX	±0.063	PROJECTING:				PROJECT MANAGER:	SCALE: 1:8	GENERATED BY: SolidWorks 2013
.XXX	±0.031							
ANGLES	±0.25°	DRAWING NO.: S-6337-8234			REVISION: NR			
RADIUS	±0.031	SHEET: 1 of 1						

This drawing is the proprietary property of Electro Composites (2008) ULC, not part of the public domain, and is issued with the express understanding and agreement that it is not to be reproduced or copied in whole or in part or issued for furnishing information to others, or used directly or indirectly, in any way detrimental to the interest of Electro Composites (2008) ULC and is to be returned upon request by Electro Composites (2008) ULC. All Rights Reserved.