



**PCORE**  
ELECTRIC

**KV CLASS** 35 kV **BIL** 200 kV **Uy** 25 kV

**CURRENT RATING**

400 AMP DRAW LEAD CONNECTION

**DWG.** **CATALOG NUMBER** **GLAZE COLOR**

SD B-85303 BROWN

SD B-85303-70 LT. GRAY

**DATE** 6-20-88 **REV. DATE** 3-17-14

**MAXIMUM ALTITUDE** 3000 m [10000 ft]

**NET WEIGHT** 20 kg [43 lb]

**ANGLE OF INCLINATION FROM THE VERTICAL** 0° TO 70°

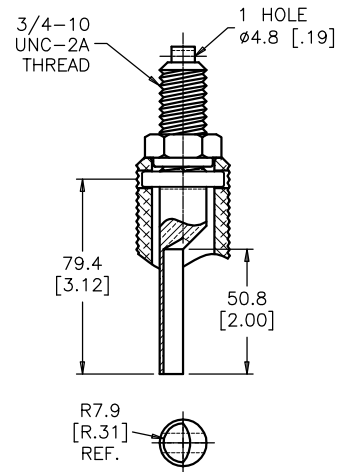
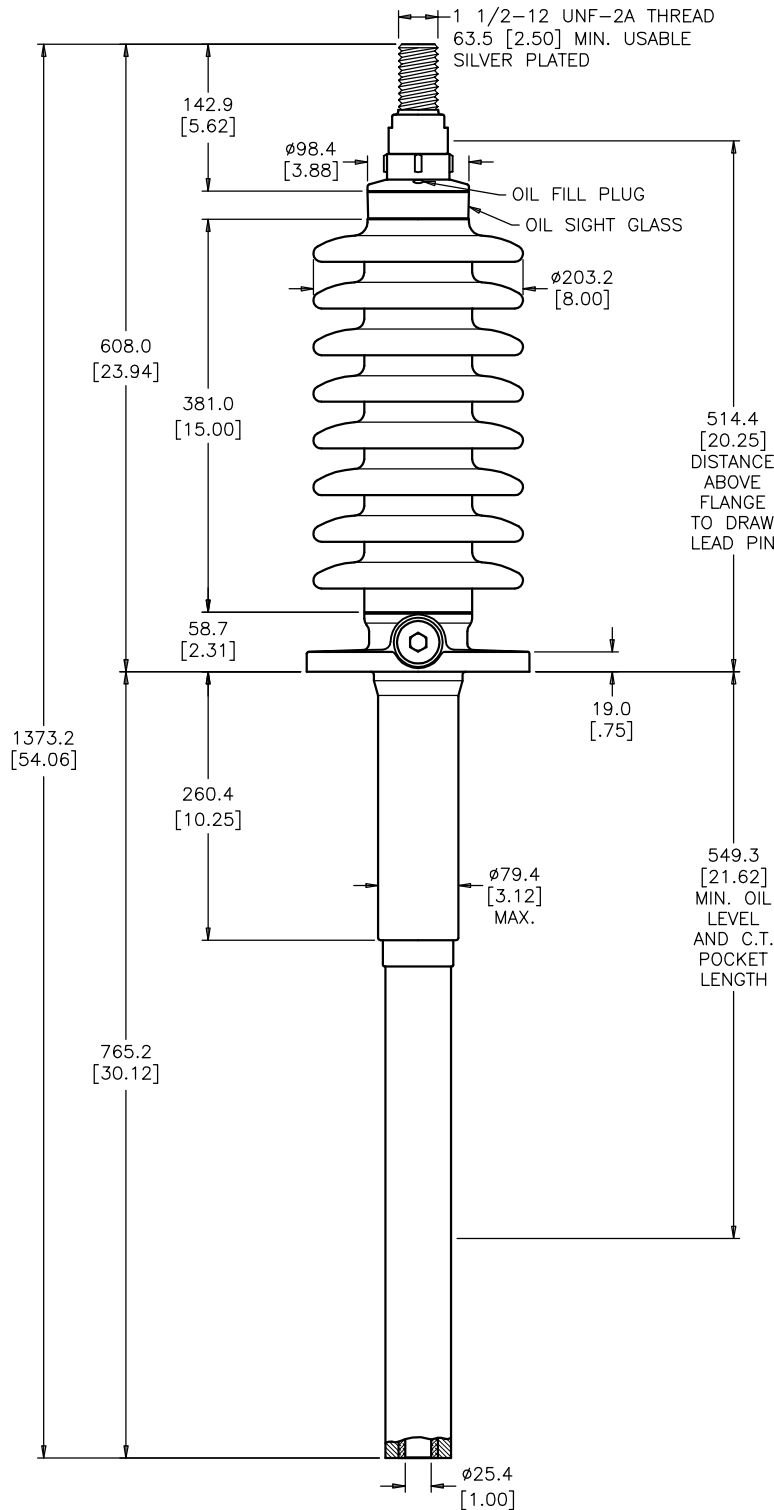
**MIN. CREEP** 1041.4 [41.00] **MIN. STRIKE** 431.8 [17.00]

**CREEP/Uy** 41.66 [1.64] **STD.** CSA C88.1

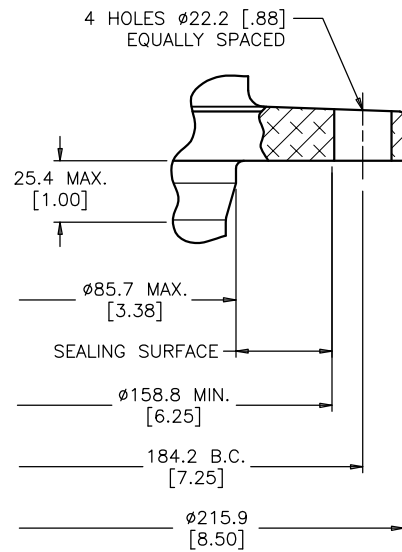
PCB CONTENT OF OIL IS LESS THAN 1 ppm

**TITLE**

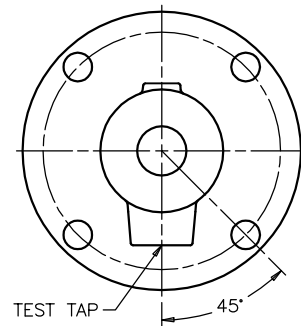
PRC BUSHING



**DRAW LEAD ASSEMBLY**



**MOUNTING FLANGE DETAIL**



**FLANGE ALIGNMENT DIAGRAM TOP VIEW**

DIMENSIONS IN MILLIMETERS [INCHES]

**REVISION** UPDATED WEIGHT & DRAW LEAD ASSEMBLY

**SCALE** 1/5

NOTE TO PURCHASER:  
ALL SALES OF PCORE PRODUCTS ARE SUBJECT TO OUR STANDARD TERMS AND CONDITIONS AND THE LIMITED WARRANTIES THEREUNDER