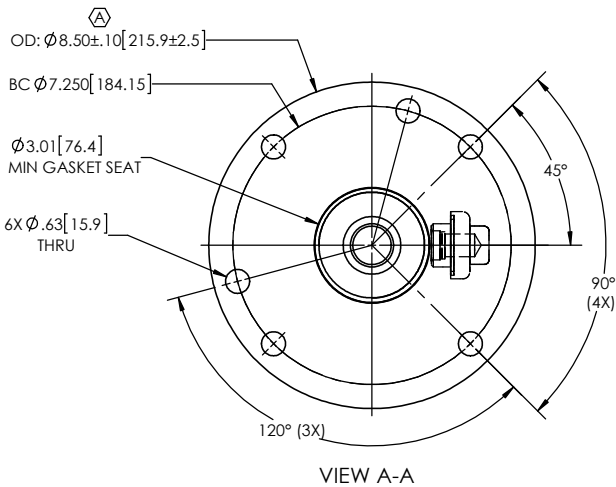
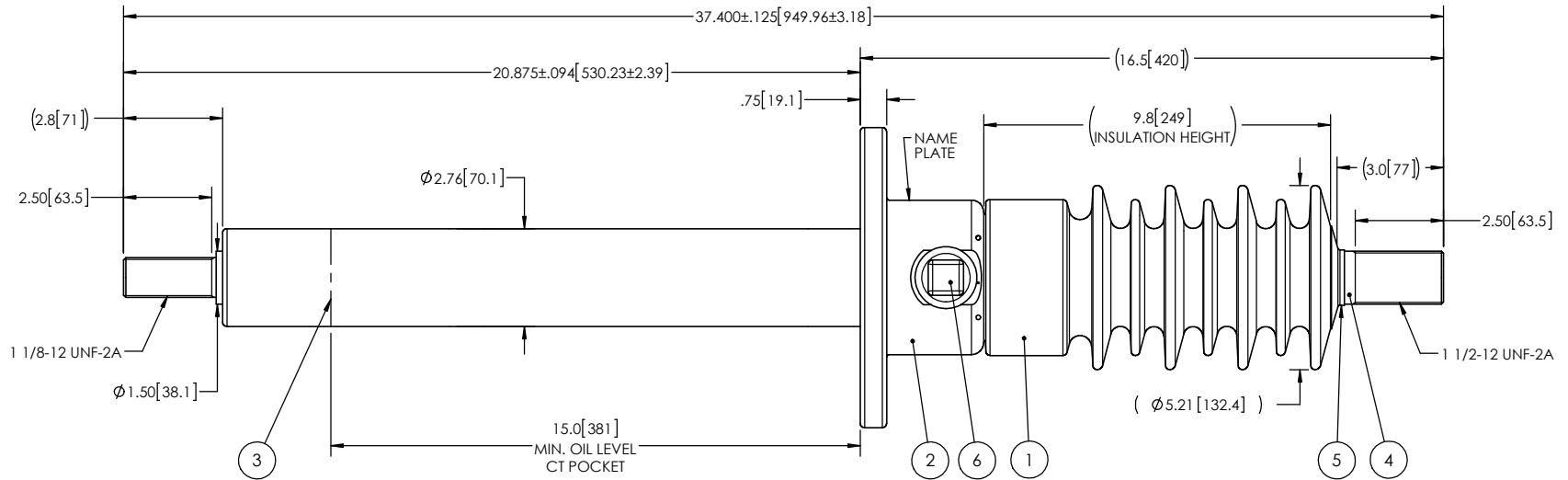


- NOTES:
- 1 CREEPAGE DISTANCE: 21.1" / 534mm
 - 2 ARC DISTANCE: 10.8" / 274mm
 - 3 NOMINAL VOLTAGE: 15kV
 - 4 NOMINAL CURRENT: 1200A
 - 5 VOLTAGE WITHSTAND, 60 sec.: 50kV
 - 6 BIL : 110kV
 - 7 ROUTINE TEST ACCORDING TO: CSA C88.1-96
 - 8 MAX. TORQUE APPLIED ON FLANGE BOLTS: 40 lb·ft/ 54.2 N·m
 - 9 WEIGHT: 39 lb / 17.7 Kg

REVISIONS					
ZONE	REV.	DESCRIPTION	DRAWN BY	DATE	APPR.
C6	A	INCREASE THE TOLERANCES ON THE FLANGE OUTSIDE DIAMETER.	J. CLICHE	2017-12-01	Y.V.



This drawing is the proprietary property of Electro Composites (2008) ULC, not part of the public domain, and is issued with the express understanding and agreement that it is not to be reproduced or copied in whole or in part or issued for furnishing information to others, or used directly or indirectly, in any way detrimental to the interest of Electro Composites (2008) ULC and is to be returned upon request by Electro Composites (2008) ULC. All Rights Reserved.

ITEM NO.	QTY	DRAWING NO.	PART NO.	DESCRIPTION	NOTE / MAT'L
6	1	S-1001-2022		CAPACITANCE TAP ASSEMBLY	ALUMINUM
5	1	S-1001-0007		CAP	COPPER
4	1	S-4049-8271		ROD ASSEMBLY	COPPER
3	1	S-4049-8270		SHIELD ASSEMBLY	COPPER
2	1	S-4049-8269		FLANGE	ALUMINUM
1	1	S-4049-8268	-001	CASTING, CYLOALIPHATIC RESIN	EC-APG-02

PARTS LIST					
GENERAL TOLERANCES (UNLESS OTHERWISE SPECIFIED)			Electro Composites™ solid HV bushings solution		
X.	±0.125				
.X	±0.094		DRAWN BY: J.N.PILOTTE DATE: 2014/02/27		
.XX	±0.063		CHECK BY:		
.XXX	±0.031		PROJECT ENG.:		
ANGLES	±0.25°		PROJECT MANAGER:		
RADIUS	±0.031		SCALE: 1:5		
REMOVE BURRS AND BREAK SHARP EDGES			GENERATED BY: SolidWorks 2013 SHEET: 1 of 1		
DIMENSIONS ARE IN INCHES (UNLESS OTHERWISE SPECIFIED)			DRAWING NO.: S-4049-8268 REVISION: A		