



PCORE
ELECTRIC

KV CLASS 145 kV BIL 650 kV Uy 108 kV

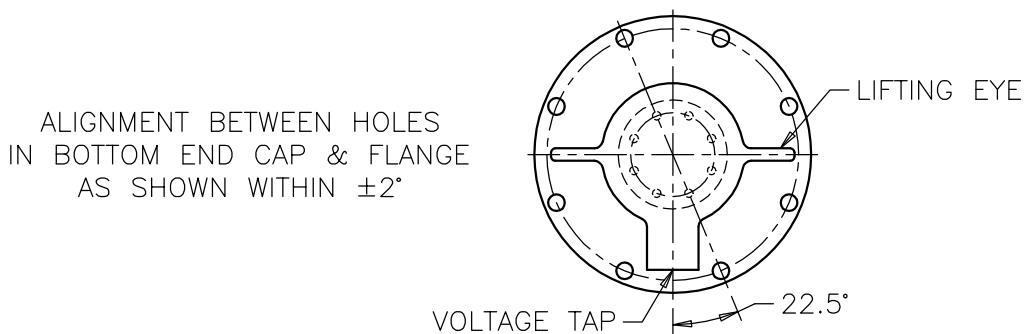
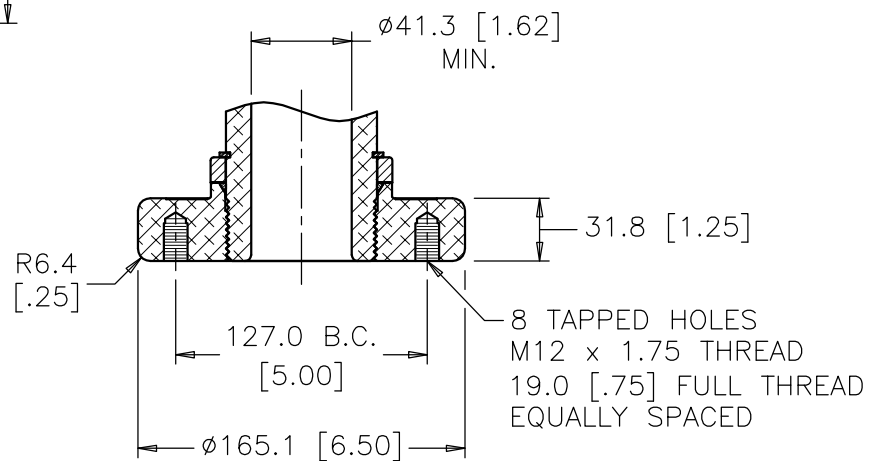
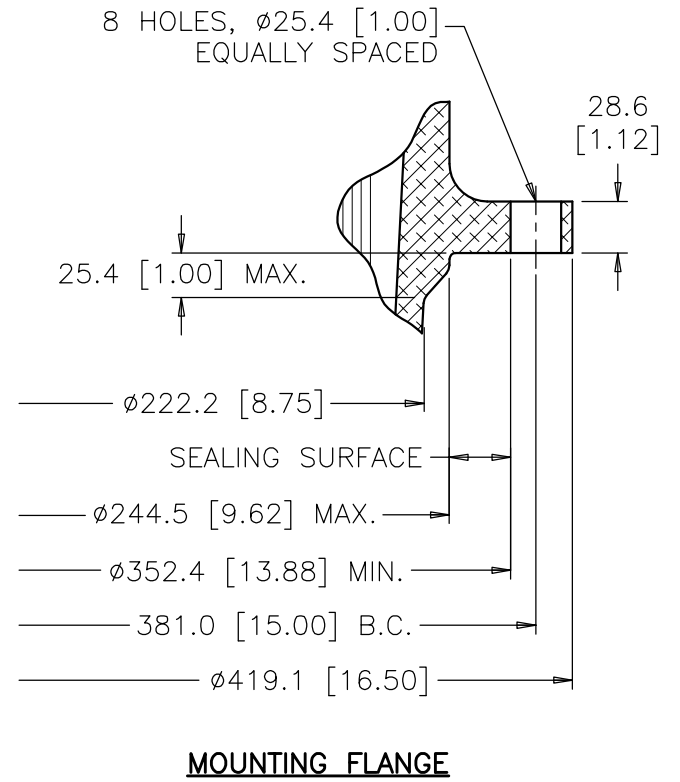
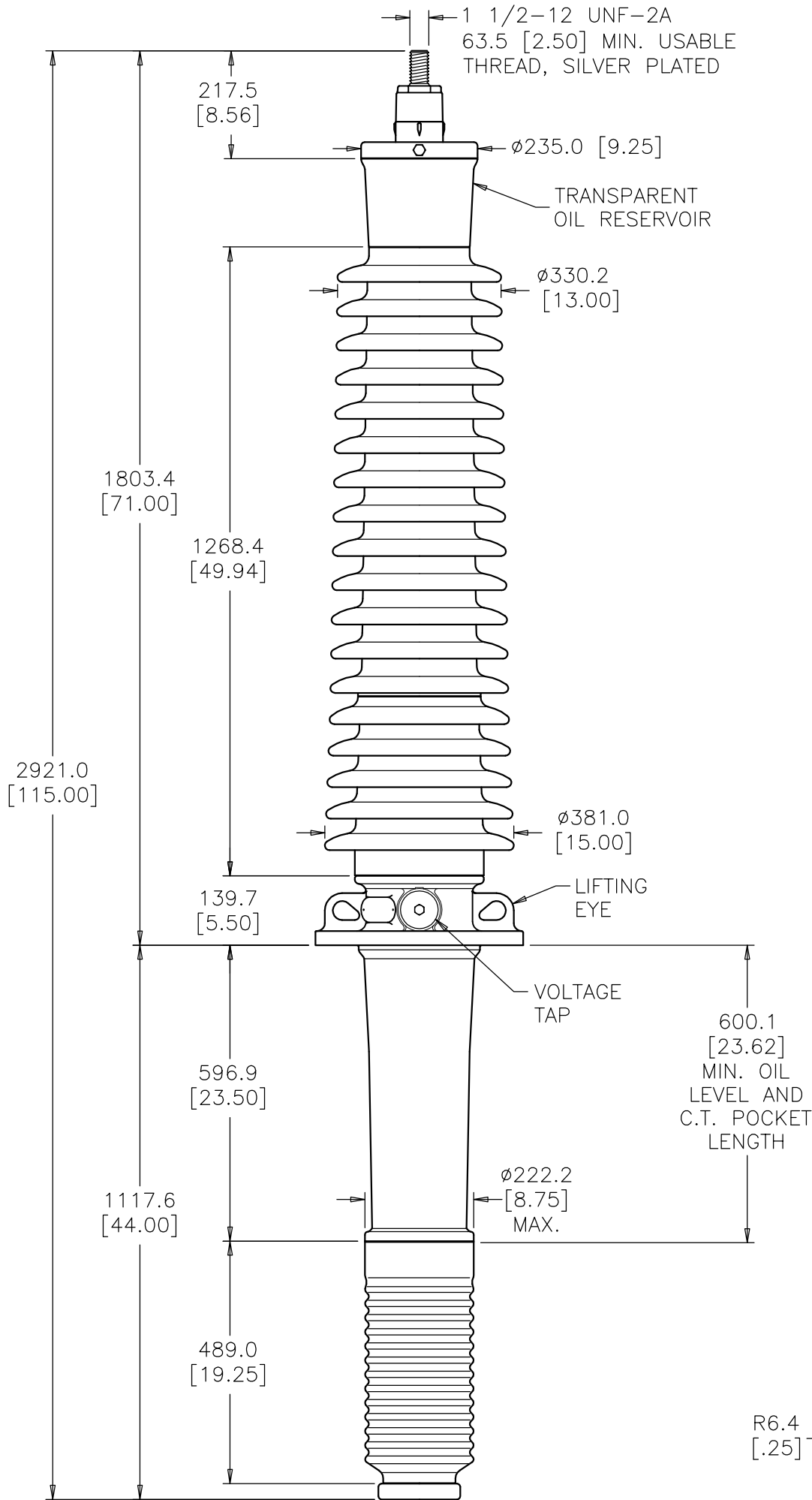
CURRENT RATING
1200 AMP BOTTOM CONNECTION

DWG.	CATALOG NUMBER	GLAZE COLOR
SD	B-86210	BROWN
SD	B-86210-70	LT. GRAY

DATE	7-28-88	REV. DATE	10-15-09
MAXIMUM ALTITUDE	1000 m [3300 ft]		
NET WEIGHT	238 kg [525 lb]		
ANGLE OF INCLINATION FROM THE VERTICAL	0° TO 60°		

MIN. CREEP	3035.3 [119.50]	MIN. STRIKE	1422.4 [56.00]
CREEP/Uy	28.1 [1.11]	STD.	CSA C88.1
PCB CONTENT OF OIL IS LESS THAN 1 ppm			

TITLE	POC BUSHING	
-------	-------------	--



ALIGNMENT OF FLANGE AND BOTTOM TERMINAL TOP VIEW

DIMENSIONS IN MILLIMETERS [INCHES]

REVISION REDRAWN TO SCALE & TO NEW STANDARDS, WEIGHT WAS 585 lb, REMOVED °C, TEMPERATURE GOVERNED BY CSA STANDARDS, PCORE WAS LAPP SCALE 1/12

NOTE TO PURCHASER: ALL SALES OF PCORE PRODUCTS ARE SUBJECT TO OUR STANDARD TERMS AND CONDITIONS AND THE LIMITED WARRANTIES THEREUNDER