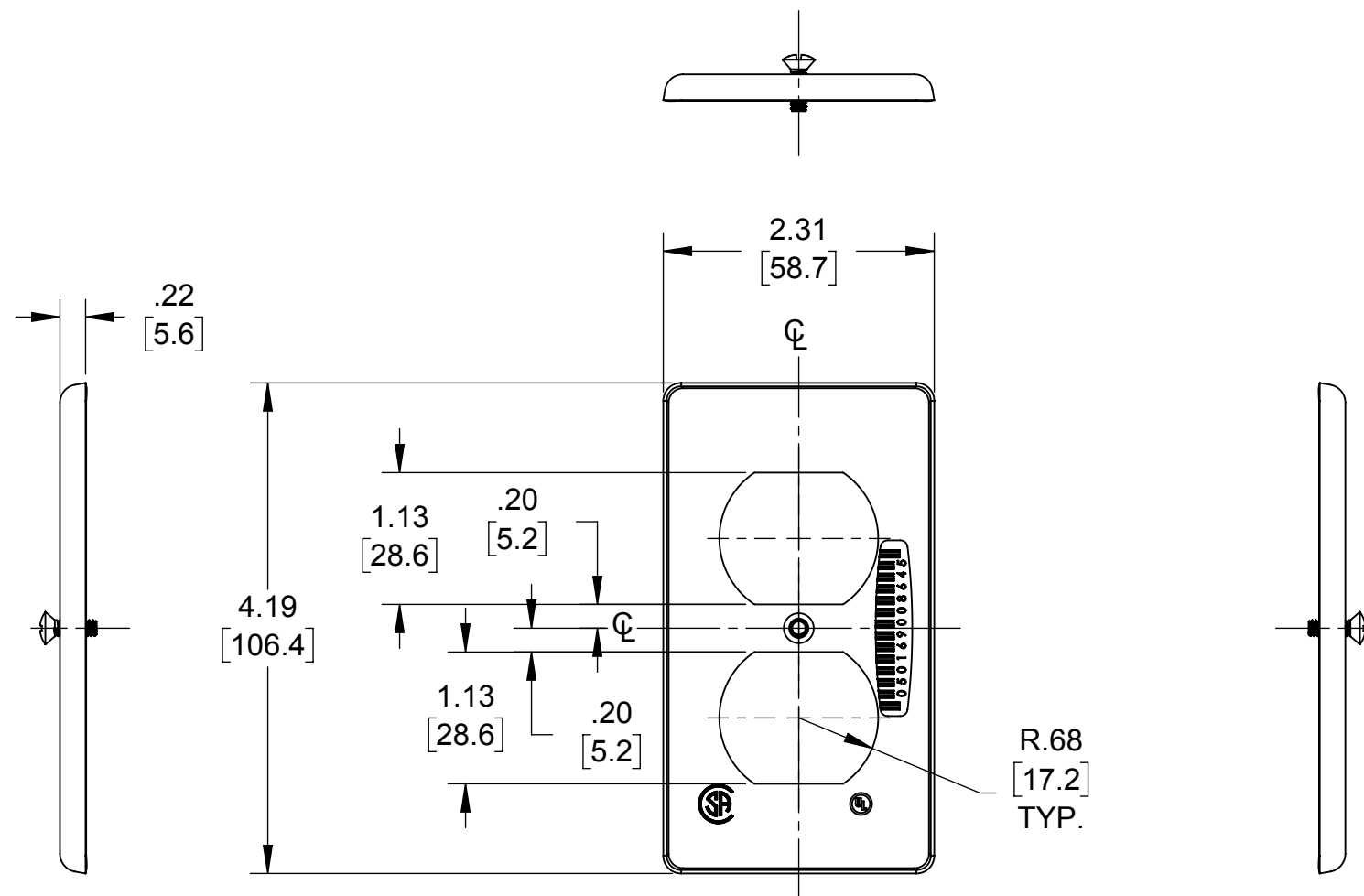
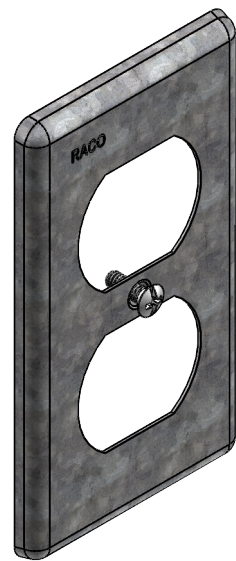


**LIST OF PARTS**

DESCRIPTION	MATERIAL	FINISH
COVER	STEEL	GALVANIZED
FASTENERS	STEEL	GALVANIZED



SYM.	REVISION DESCRIPTION	APP	DATE
	INITIAL RELEASE	RMV	02-21-17

THE DESIGN AND DIMENSIONS OF THE PRODUCT SHOWN ON THIS DRAWING ARE SUBJECT TO CHANGE WITHOUT NOTICE

TITLE: **HANDY BOX COVER - DUPLEX RECEPTACLE**

<small>TOLERANCE UNLESS OTHERWISE SPECIFIED</small> .XX DECIMAL ±.015 .XXX DECIMAL ±.005 ANGLE ±2°	<b>RACO</b> South Bend, Indiana		SCALE: <b>2:3</b>
	DRAWN BY:	RMV	
	APP. BY:	N.S.	
DATE:	02-21-17		

- NOTES:  
 1. ALL DIMENSIONS ARE IN INCHES AND [MILLIMETERS]  
 2. UL LISTED