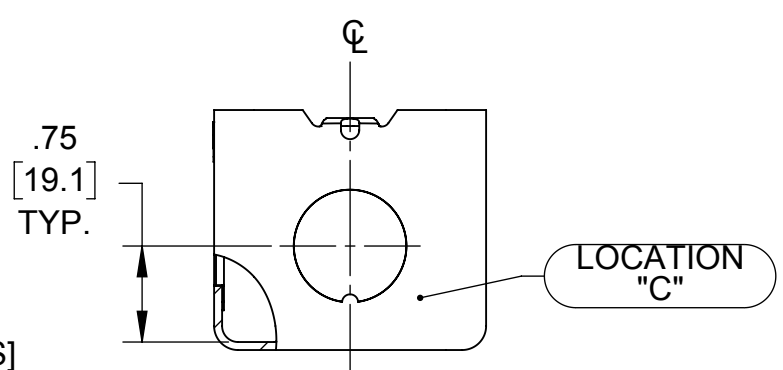
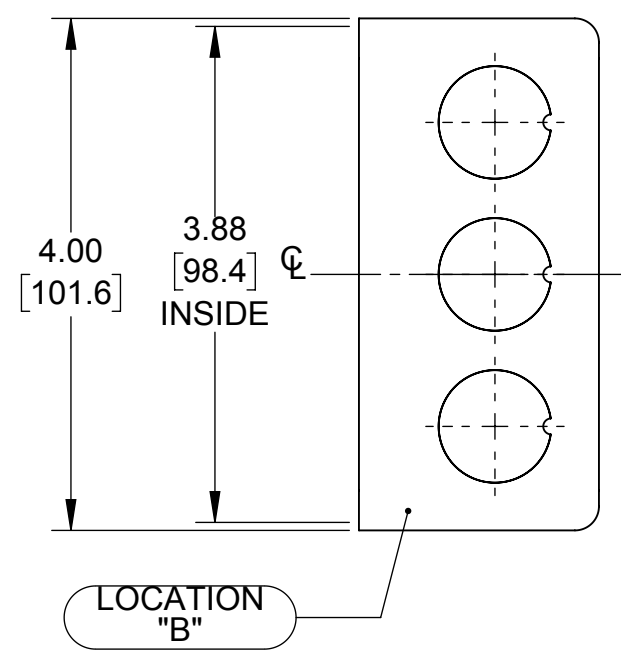
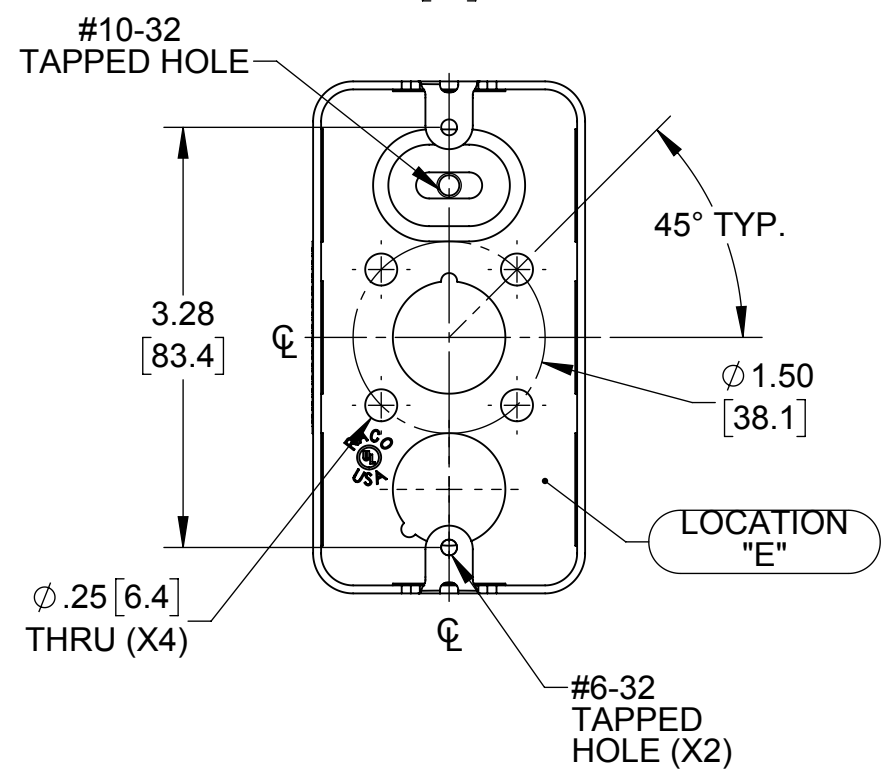
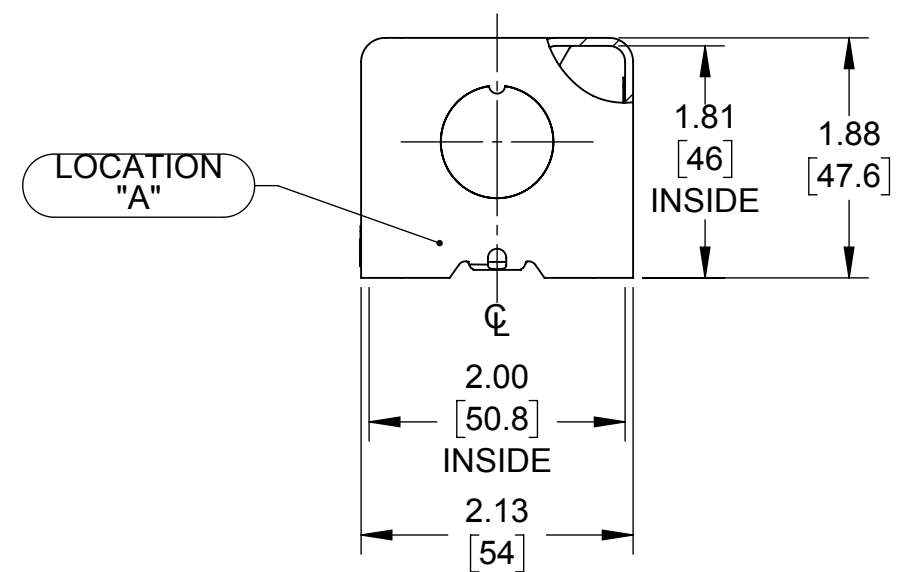
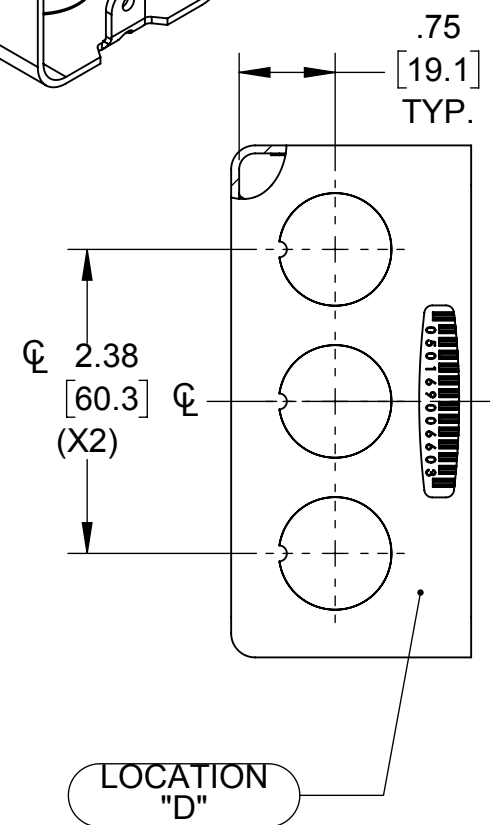
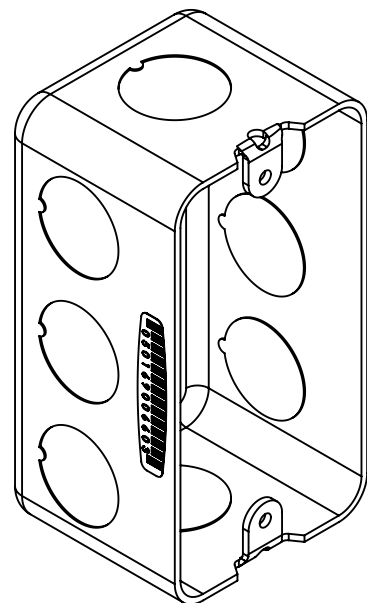


LIST OF PARTS

DESCRIPTION	MATERIAL	FINISH
HANDY BOX	STEEL	GALVANIZED



- NOTES:**
1. ALL DIMENSIONS ARE IN INCHES AND [MILLIMETERS]
 2. BOX VOLUME: 16.5 IN³ [270.4 CM³]
 3. UL LISTED

KNOCKOUTS		
TRADE SIZE	LOCATION	QTY.
1/2" KO	B,D	3
1/2" KO	E	2
1/2" KO	A,C	1

SYMBOL	REVISION DESCRIPTION	APP	DATE
	INITIAL RELEASE	N.S.	02-10-17

THE DESIGN AND DIMENSIONS OF THE PRODUCT SHOWN ON THIS DRAWING ARE SUBJECT TO CHANGE WITHOUT NOTICE

TITLE:
4" X 2" HANDY BOX (DRAWN) 1-7/8" DEEP WITH TS BRACKET

RACO
South Bend, Indiana

DRAWN BY:	RMV	SCALE:	2:3
APP. BY:	N.S.	DATE:	
DATE:	02-10-17		

TOLERANCE UNLESS OTHERWISE SPECIFIED:
.XX DECIMAL ±.015
.XXX DECIMAL ±.005
ANGLE ±2°