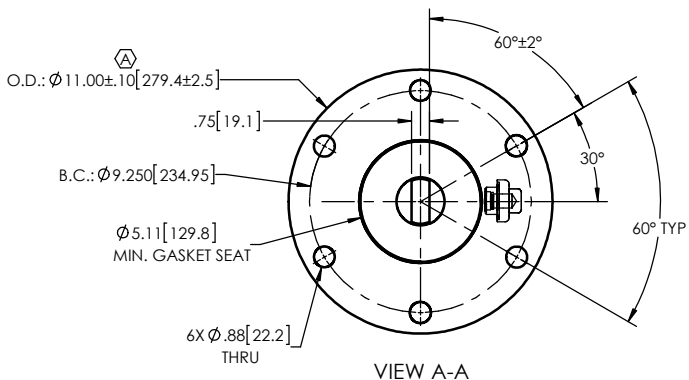
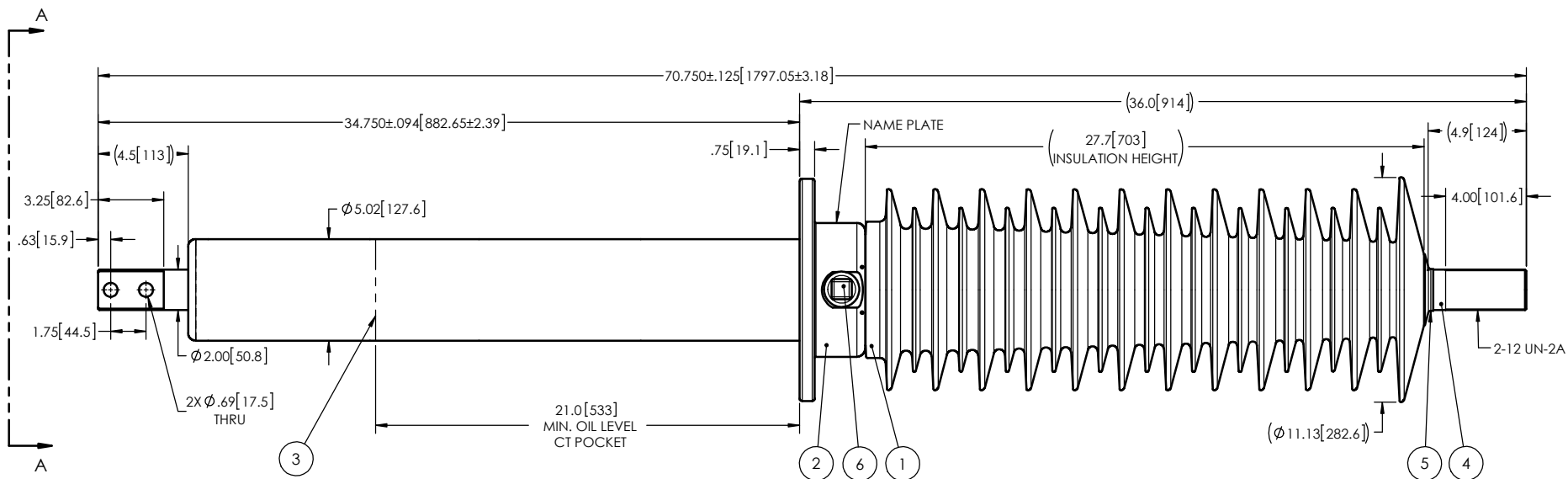


- NOTES:
- 1 CREEPAGE DISTANCE: 97.0" / 2464mm
  - 2 ARC DISTANCE: 31.5" / 800mm
  - 3 NOMINAL VOLTAGE: 46kV
  - 4 NOMINAL CURRENT: 2000A
  - 5 VOLTAGE WITHSTAND, 60 sec.: 105kV
  - 6 BIL : 250kV
  - 7 ROUTINE TEST ACCORDING TO: IEEE C57.19.01
  - 8 MAX. TORQUE APPLIED ON FLANGE BOLTS: 40 lbf·ft / 54.2 N·m
  - 9 WEIGHT: 184 lb / 83.5 kg

REVISIONS					
ZONE	REV.	DESCRIPTION	DRAWN BY	DATE	APPR.
B6	A	INCREASE THE TOLERANCE ON THE FLANGE O.D.	J. CLICHE	2016-09-27	J.V.



This drawing is the proprietary property of Electro Composites (2008) ULC, not part of the public domain, and is issued with the express understanding and agreement that it is not to be reproduced or copied in whole or in part or issued for furnishing information to others, or used directly or indirectly, in any way detrimental to the interest of Electro Composites (2008) ULC and is to be returned upon request by Electro Composites (2008) ULC. All Rights Reserved.

ITEM NO.	QTY	DRAWING NO.	PART NO.	DESCRIPTION	NOTE / MAT'L
6	1	S-1001-2022		CAPACITANCE TAP ASSEMBLY	ALUMINUM
5	1	S-1344-0162		CAP	COPPER
4	1	S-1963-8375		ROD ASSEMBLY	COPPER
3	1	S-5166-4693		SHIELD ASSEMBLY	COPPER
2	1	S-7413-6990		FLANGE	ALUMINUM
1	1	S-1963-8348	-001	CASTING, CYCLOALIPHATIC RESIN	EC-APG-02

PARTS LIST					
GENERAL TOLERANCES (UNLESS OTHERWISE SPECIFIED)			<p><b>Electro Composites</b> solid HV bushings solution</p> <p>TITLE: SDC® BUSHING 46kV, 2000A MODEL : 250-020-T-869-00</p>		
X.	±0.125	DRAWN BY: J. CLICHE DATE: 2014/05/26 CHECK BY: PROJECTING: PROJECT MANAGER:			
.X	±0.094				
.XX	±0.063				
.XXX	±0.031				
ANGLES	±0.25°	REMOVE BURRS AND BREAK SHARP EDGES DIMENSIONS ARE IN INCHES (UNLESS OTHERWISE SPECIFIED)	SCALE: 1:8 GENERATED BY: SolidWorks 2013 SHEET: 1 of 1		
RADIUS	±0.031		FORMAT: A CAGE CODE: DRAWING NO.: S-1963-8348 REVISION: A		