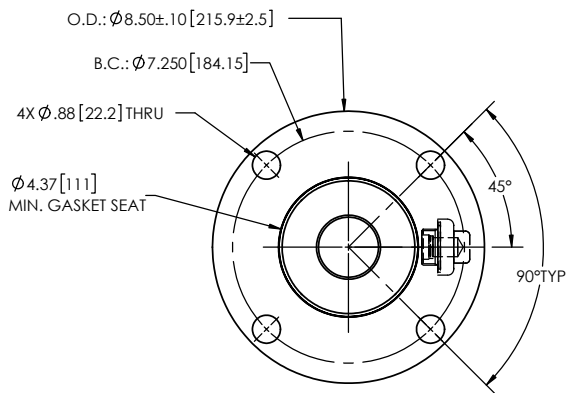
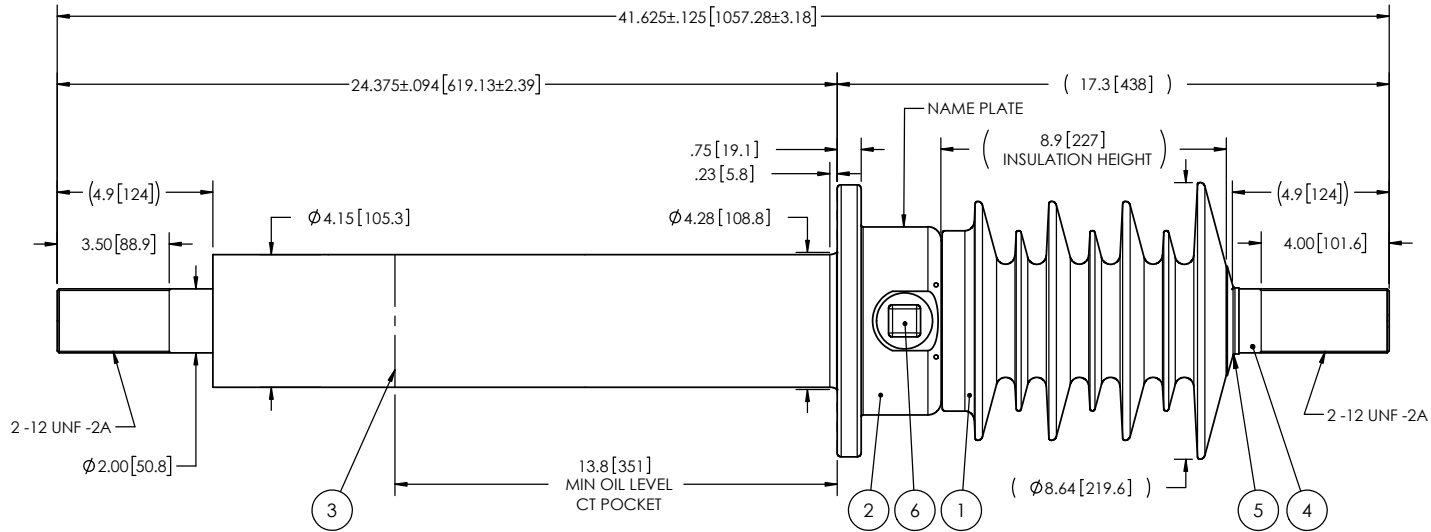


- NOTES:
- 1 CREEPAGE DISTANCE: 26.3"/669mm
  - 2 ARC DISTANCE: 11.3"/286mm
  - 3 NOMINAL VOLTAGE: 27.5kV
  - 4 NOMINAL CURRENT: 2000A
  - 5 VOLTAGE WITHSTAND, 60 sec.: 70kV
  - 6 BIL: 150kV
  - 7 ROUTINE TEST ACCORDING TO: CSA-C88.1-96
  - 8 MAX. TORQUE APPLIED ON FLANGE BOLTS: 40 lbf · ft / 54.2 N · m
  - 9 WEIGHT: 75 lb / 33.9 kg
  - 10 INSULATION THERMAL LIMIT: 130°C. BUSHING RATED PER CSA C88.1 USUAL SERVICE CONDITIONS. Ⓟ

REVISIONS					
ZONE	REV.	DESCRIPTION	DRAWN BY	DATE	APPR.
-	A3	GENERAL UPDATE AS ACTUAL STANDARD GENERAL TOLERANCES LOOSEN	M. FORGET	2018-04-23	Y.V.
F4	B	UPDATE NOTE #10	M. FORGET	2022-02-17	Y.V.



ITEM NO.	QTY	DRAWING NO.	PART NO.	DESCRIPTION	NOTE / MAT'L
6	1	S-1001-2022		CAPACITANCE TAP ASSEMBLY	ALUMINUM
5	1	S-1344-0162-0		CAP	COPPER
4	1	S-0693-8425		ROD ASSEMBLY	COPPER
3	1	S-0693-8424		SHIELD ASSEMBLY	COPPER
2	1	S-5362-5018		FLANGE	ALUMINUM
1	1	S-0693-8423	-001	CASTING, CYCLOALIPHATIC RESIN	EC-APG-15NA

PARTS LIST

GENERAL TOLERANCES (UNLESS OTHERWISE SPECIFIED)

X.	±0.125
.X	±0.094
.XX	±0.063
.XXX	±0.031
ANGLES	±0.25°
RADIUS	±0.031

REMOVE BURRS AND BREAK SHARP EDGES

DIMENSIONS ARE IN INCHES (UNLESS OTHERWISE SPECIFIED)

**ElectroComposites**  
solid HV bushings solution

TITLE:  
SDC® BUSHING 27.5kV 2000A  
MODEL: 150-020-T-878-00

DRAWN BY: J.N.PILOTTE	DATE: 2014/08/19	FORMAT: A	CAGE CODE:	DRAWING NO.: S-0693-8423	REVISION: B
CHECK BY:		SCALE: 1:6	GENERATED BY: SolidWorks 2021	SHEET: 1 of 1	
PROJECT ENG.:					
PROJECT MANAGER:					

This drawing is the proprietary property of Electro Composites (2008) ULC, not part of the public domain, and is issued with the express understanding and agreement that it is not to be reproduced or copied in whole or in part or issued for furnishing information to others, or used directly or indirectly, in any way detrimental to the interest of Electro Composites (2008) ULC and is to be returned upon request by Electro Composites (2008) ULC. All Rights Reserved.