



**PCORE**  
ELECTRIC

**KV CLASS** 69 kV **BIL** 350 kV **Uy** 44 kV

**CURRENT RATING**

1200 AMP BOTTOM CONNECTION

**DWG.** **CATALOG NUMBER** **GLAZE COLOR**

SD B88013-200 BROWN

SD B88013-200-70 LT. GRAY

**DATE** 7-3-03 **REV. DATE** 2-23-21

**MAXIMUM ALTITUDE** 10000 ft [3000 m]

**NET WEIGHT** 190 lb [86 kg]

**ANGLE OF INCLINATION FROM THE VERTICAL** 0° TO 60°

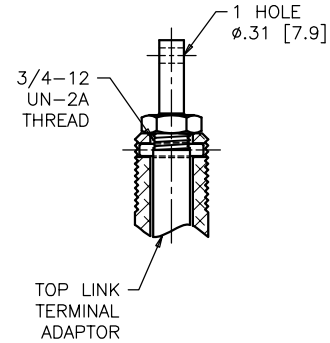
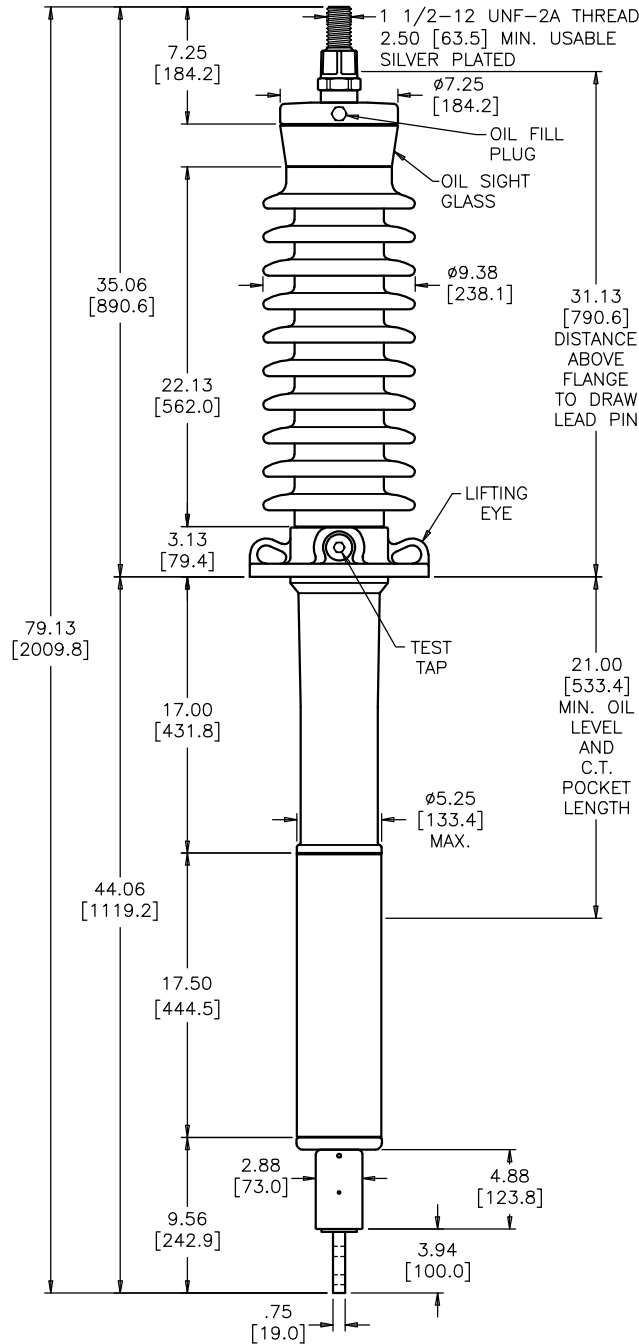
**MIN. CREEP** 54.00 [1371.6] **MIN. STRIKE** 24.00 [609.6]

**CREEP/L-G** 1.36 [34.4] **STD.** IEEE C57.19.00/01

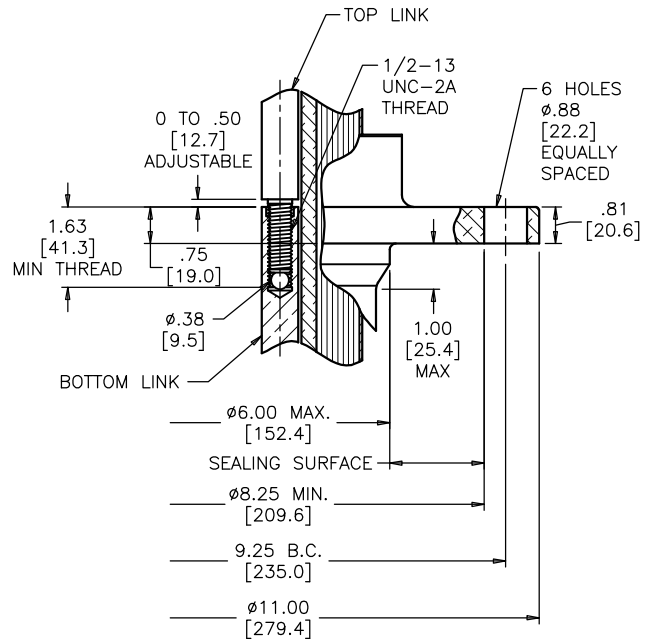
PCB CONTENT OF OIL IS LESS THAN 1 ppm

**TITLE**  
POC BUSHING

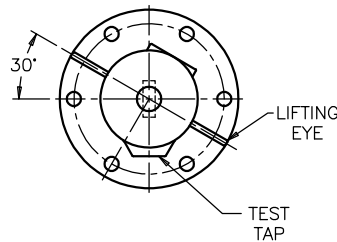
QUICK LINK BOTTOM CONNECTION  
JOINT .75 [19.0] ABOVE  
FLANGE MOUNTING SURFACE  
UNPLATED BOTTOM TERMINAL



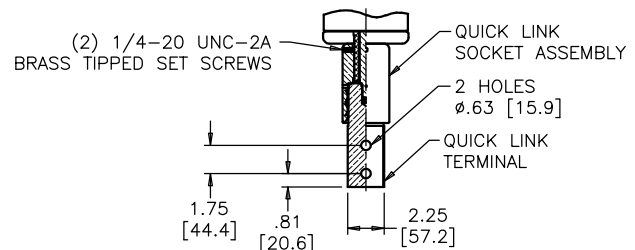
**TOP LINK TERMINAL DETAIL**



**MOUNTING FLANGE DETAIL**



**FLANGE ALIGNMENT DIAGRAM  
TOP VIEW**



**BOTTOM TERMINAL DETAIL**

DIMENSIONS IN INCHES [MILLIMETERS]

**REVISION** CREEP/L-G WAS CREEP/Uy, CORRECTED ROUNDING

**SCALE** 1/8

**NOTE TO PURCHASER:**  
ALL SALES OF PCORE PRODUCTS ARE SUBJECT  
TO OUR STANDARD TERMS AND CONDITIONS  
AND THE LIMITED WARRANTIES THEREUNDER