



PCORE
ELECTRIC

kV CLASS 69 kV **BIL** 350 kV **Uy** 44 kV

CURRENT RATING

400 AMP DRAW LEAD CONNECTION
1200 AMP BOTTOM CONNECTED

DWG. **CATALOG NUMBER** **GLAZE COLOR**

SD	B-88013	BROWN
SD	B-88013-70	LT. GRAY

DATE 3-25-03 **REV. DATE** 4-7-09

MAXIMUM ALTITUDE 10000 ft [3000 m]

NET WEIGHT 150 lb [68 kg]

ANGLE OF INCLINATION FROM THE VERTICAL 0° TO 60°

MIN. CREEP 54.00 [1371.6] **MIN. STRIKE** 24.00 [609.6]

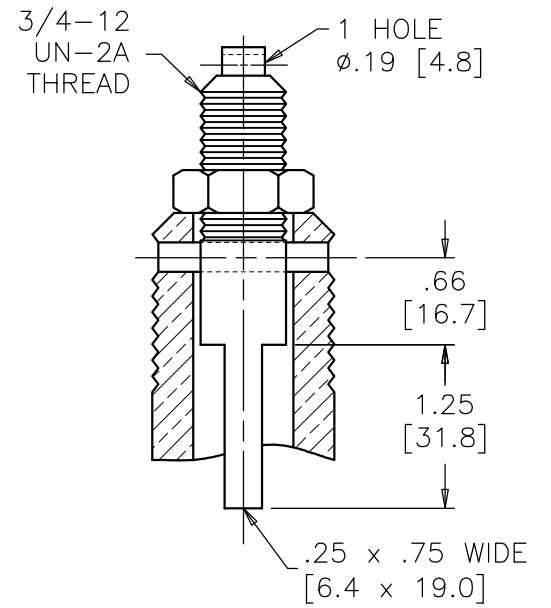
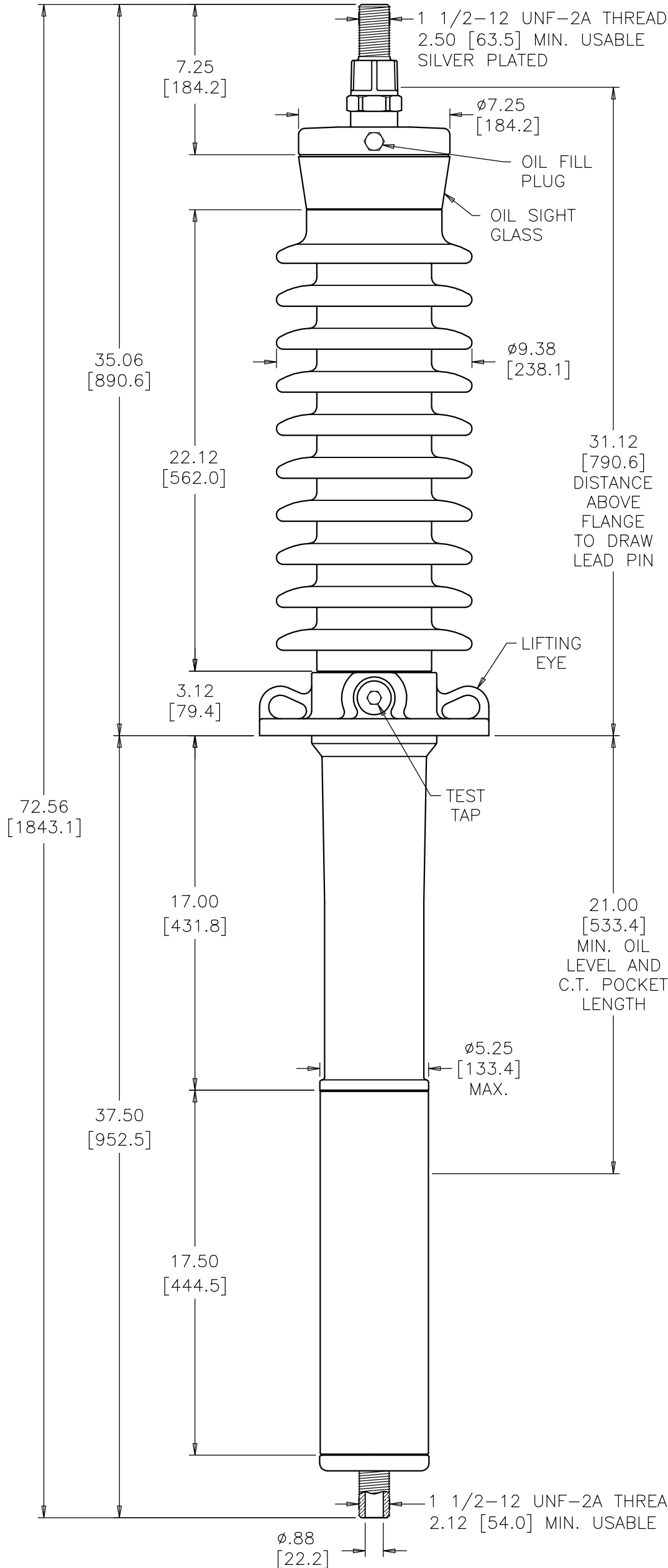
CREEP/Uy 1.23 [31.2] **STD.** IEEE C57.19.00/01

PCB CONTENT OF OIL IS LESS THAN 1 ppm

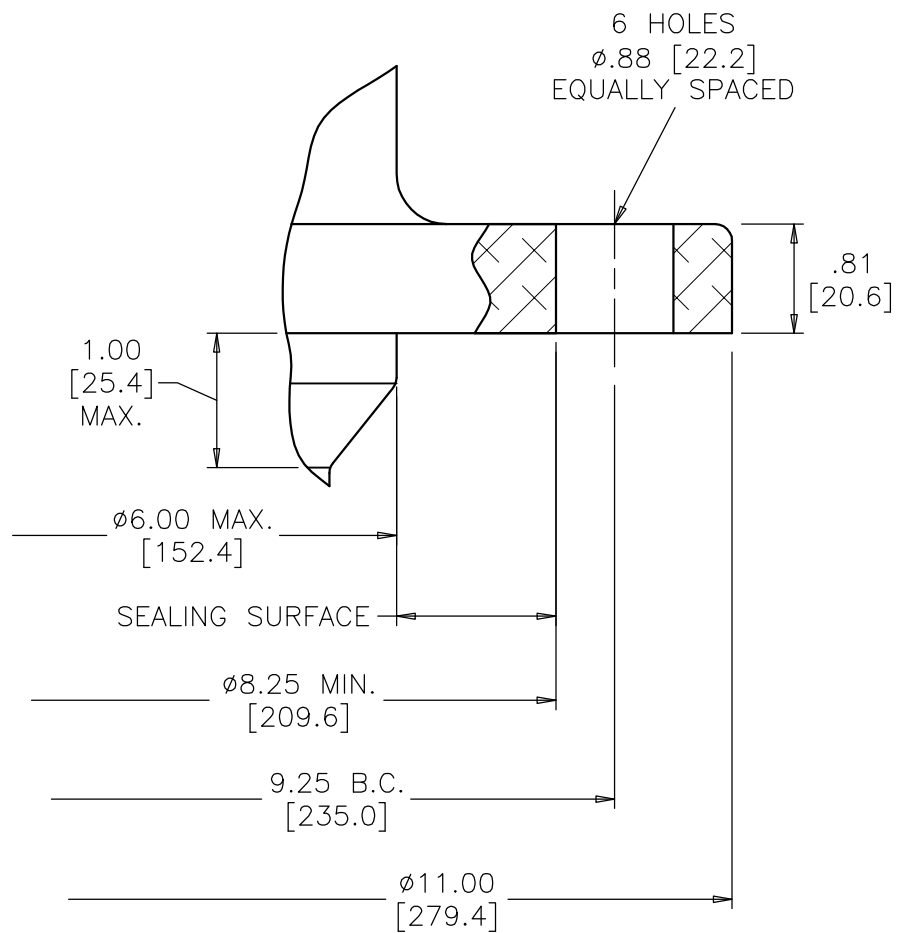
TITLE

POC BUSHING

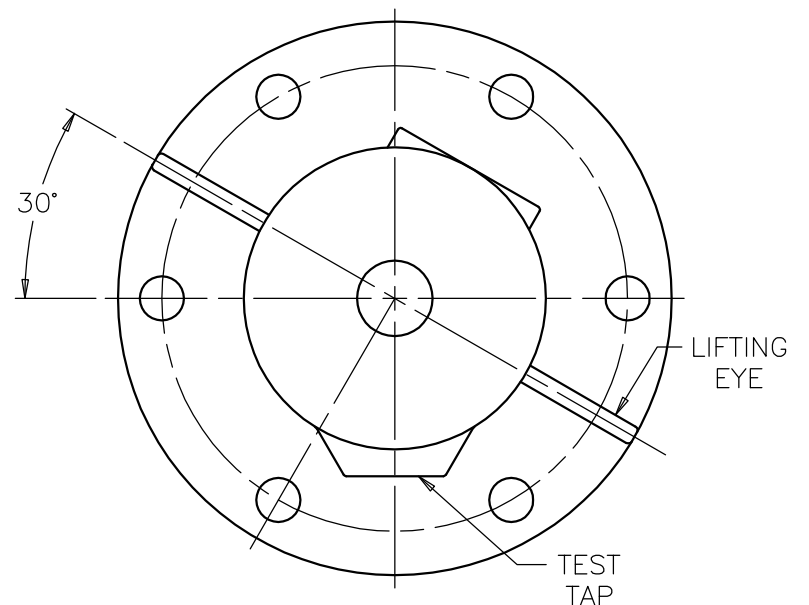
NOTE: ACTUAL DRAW-LEAD CURRENT RATING IS DETERMINED BY CABLE SIZE



DRAW LEAD ASSEMBLY



MOUNTING FLANGE DETAIL



FLANGE ALIGNMENT DIAGRAM TOP VIEW

DIMENSIONS IN INCHES [MILLIMETERS]

REVISION NEW BOTTOM CAP & LOWER PORCELAIN

SCALE 1/6

NOTE TO PURCHASER:
ALL SALES OF PCORE PRODUCTS ARE SUBJECT TO OUR STANDARD TERMS AND CONDITIONS AND THE LIMITED WARRANTIES THEREUNDER