



PCORE
ELECTRIC

kV CLASS 69 kV **BIL** 350 kV **Uy** 44 kV

CURRENT RATING
3000 AMP BOTTOM CONNECTION

DWG.	CATALOG NUMBER	GLAZE COLOR
SD	B-88032	BROWN
SD	B-88032-70	LT. GRAY

DATE 11-22-71 **REV. DATE** 2-25-21

MAXIMUM ALTITUDE 10000 ft [3000 m]

NET WEIGHT 234 lb [106 kg]

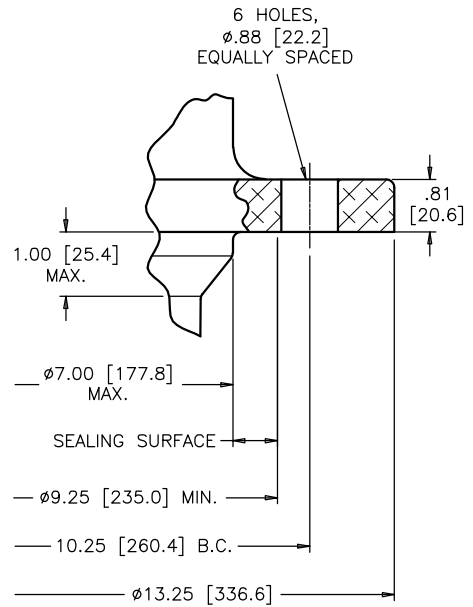
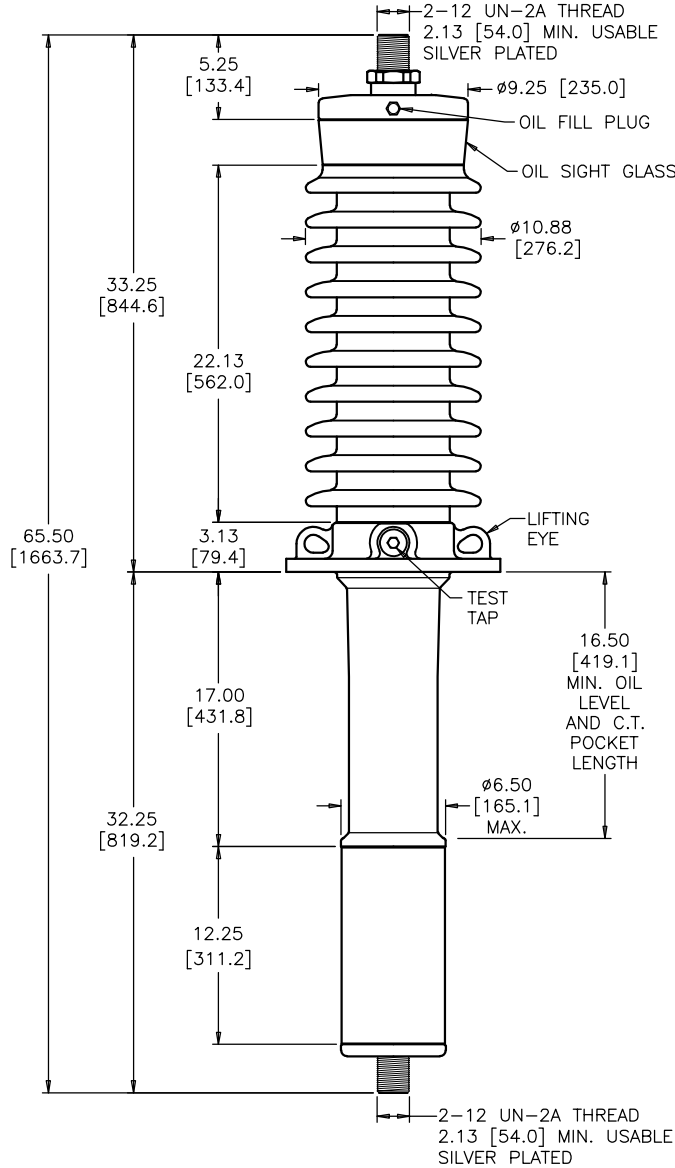
ANGLE OF INCLINATION FROM THE VERTICAL 0° TO 60°

MIN. CREEP 53.50 [1358.9] **MIN. STRIKE** 24.00 [609.6]

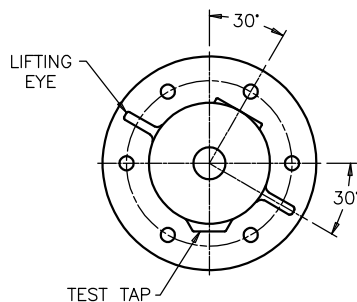
CREEP/L-G 1.34 [34.1] **STD.** IEEE C57.19.00/01

PCB CONTENT OF OIL IS LESS THAN 1 ppm

TITLE
POC BUSHING



MOUNTING FLANGE



**FLANGE ALIGNMENT DIAGRAM
TOP VIEW**

DIMENSIONS IN INCHES [MILLIMETERS]

REVISION CREEP/L-G WAS CREEP/Uy, CORRECTED ROUNDING

SCALE 1/8

NOTE TO PURCHASER:
ALL SALES OF PCORE PRODUCTS ARE SUBJECT
TO OUR STANDARD TERMS AND CONDITIONS
AND THE LIMITED WARRANTIES THEREUNDER