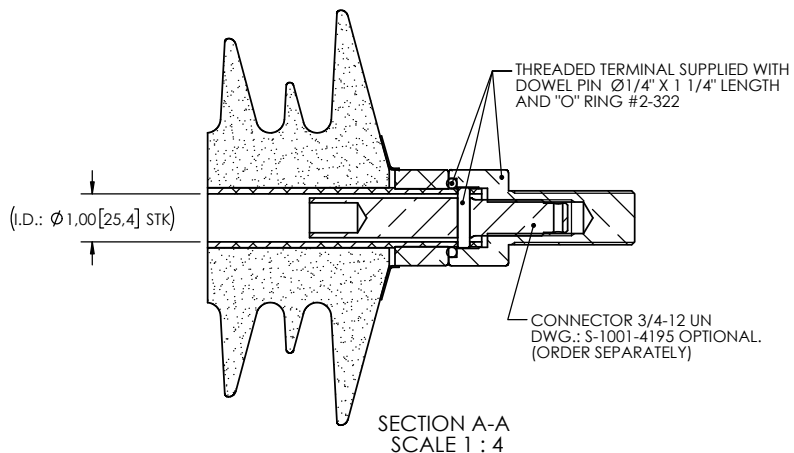
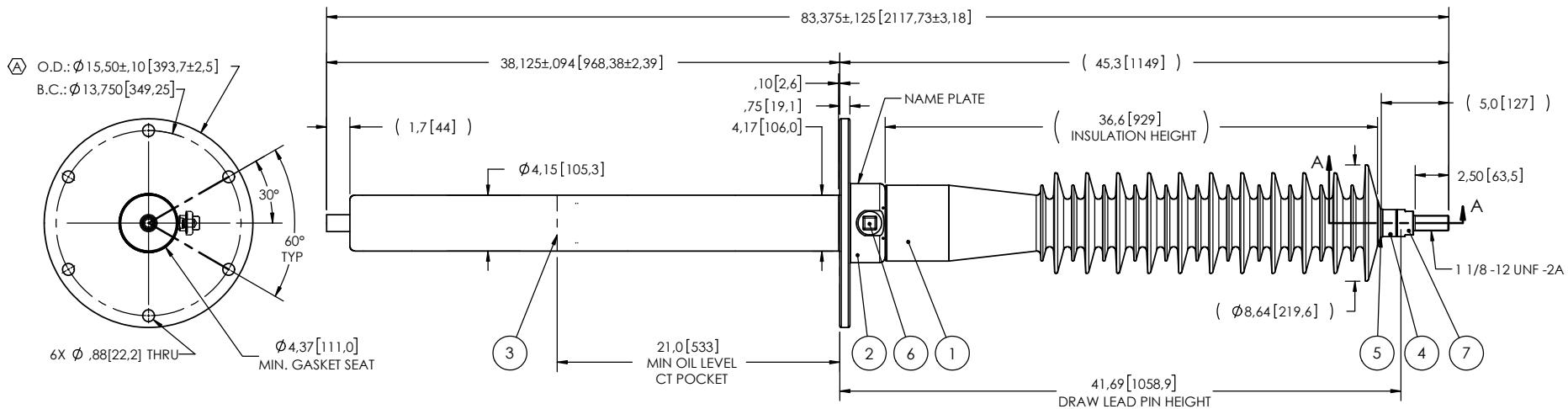


- NOTES:
- 1 CREEPAGE DISTANCE: 89.4"/2271mm
 - 2 ARC DISTANCE: 38.6"/980mm
 - 3 NOMINAL VOLTAGE: 69kV
 - 4 NOMINAL CURRENT: 400A
 - 5 VOLTAGE WITHSTAND, 60 sec.: 160kV
 - 6 BIL : 350kV
 - 7 ROUTINE TEST ACCORDING TO: IEEE C57.19.01
 - 8 MAX. TORQUE APPLIED ON FLANGE BOLTS: 40 lbf·ft / 54.2 N·m
 - 9 WEIGHT: 100 lb / 45.4 Kg

REVISIONS					
ZONE	REV.	DESCRIPTION	DRAWN BY	DATE	APPR.
B4 E6	A	SHIELD ASSEMBLY S-5677-5328 BECOMES S-2137-8169 INCREASE THE TOLERANCES ON THE FLANGE OUTSIDE DIAMETER.	M. FORGET	2020-10-23	J.V.



ITEM NO.	QTY	DRAWING NO.	PART NO.	DESCRIPTION	NOTE / MAT'L
7	1	S-4904-4657-0		THREADED TERMINAL KIT	COPPER
6	1	S-1001-2022		CAPACITANCE TAP ASSEMBLY	ALUMINUM
5	1	S-1344-0162-1		CAP	ALUMINUM
4	1	S-5247-8504		TUBE ASSEMBLY	ALUMINUM
3	1	S-2137-8169		SHIELD ASSEMBLY	COPPER
2	1	S-5247-8503		FLANGE	ALUMINUM
1	1	S-5247-8502	-001	CASTING, CYCLOALIPHATIC RESIN	EC-APG-02

PARTS LIST						
GENERAL TOLERANCES (UNLESS OTHERWISE SPECIFIED)			<p>ElectroComposites solid HV bushings solution</p> <p>TITLE: SDC® BUSHING 69 kV, 400A MODEL: 350-004-T-885-00</p>			
X.	±0.125	REMOVE BURRS AND BREAK SHARP EDGES DIMENSIONS ARE IN INCHES (UNLESS OTHERWISE SPECIFIED)	DRAWN BY:	J. CLICHE	DATE:	2014/09/26
.X	±0.094		CHECK BY:		PROJECT NO.:	
.XX	±0.063		PROJECT MGR.:		SCALE:	1:12
.XXX	±0.010		GENERATED BY:	SolidWorks 2013	SHEET:	1 of 1
ANGLES	±0.25°		REVISION:	A	DRAWING NO.:	S-5247-8502
RADIUS	±0.031					

This drawing is the proprietary property of Electro Composites (2008) ULC, not part of the public domain, and is issued with the express understanding and agreement that it is not to be reproduced or copied in whole or in part or issued for furnishing information to others, or used directly or indirectly, in any way detrimental to the interest of Electro Composites (2008) ULC and is to be returned upon request by Electro Composites (2008) ULC. All Rights Reserved.