



**PCORE**  
ELECTRIC

**KV CLASS** 25 kV **BIL** 150 kV **Uy** 16 kV

**CURRENT RATING**

400 AMP DRAW LEAD CONNECTION  
1200 AMP BOTTOM CONNECTION

**DWG.** **CATALOG NUMBER** **GLAZE COLOR**

SD B-88713 BROWN

SD B-88713-70 LT. GRAY

**DATE** 3-14-03 **REV. DATE** 4-2-20

**MAXIMUM ALTITUDE** 10000 ft [3000 m]

**NET WEIGHT** 70 lb [32 kg]

**ANGLE OF INCLINATION FROM THE VERTICAL** 0° TO 60°

**MIN. CREEP** 19.50 [495.3] **MIN. STRIKE** 11.00 [279.4]

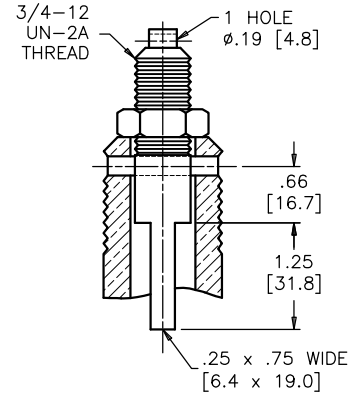
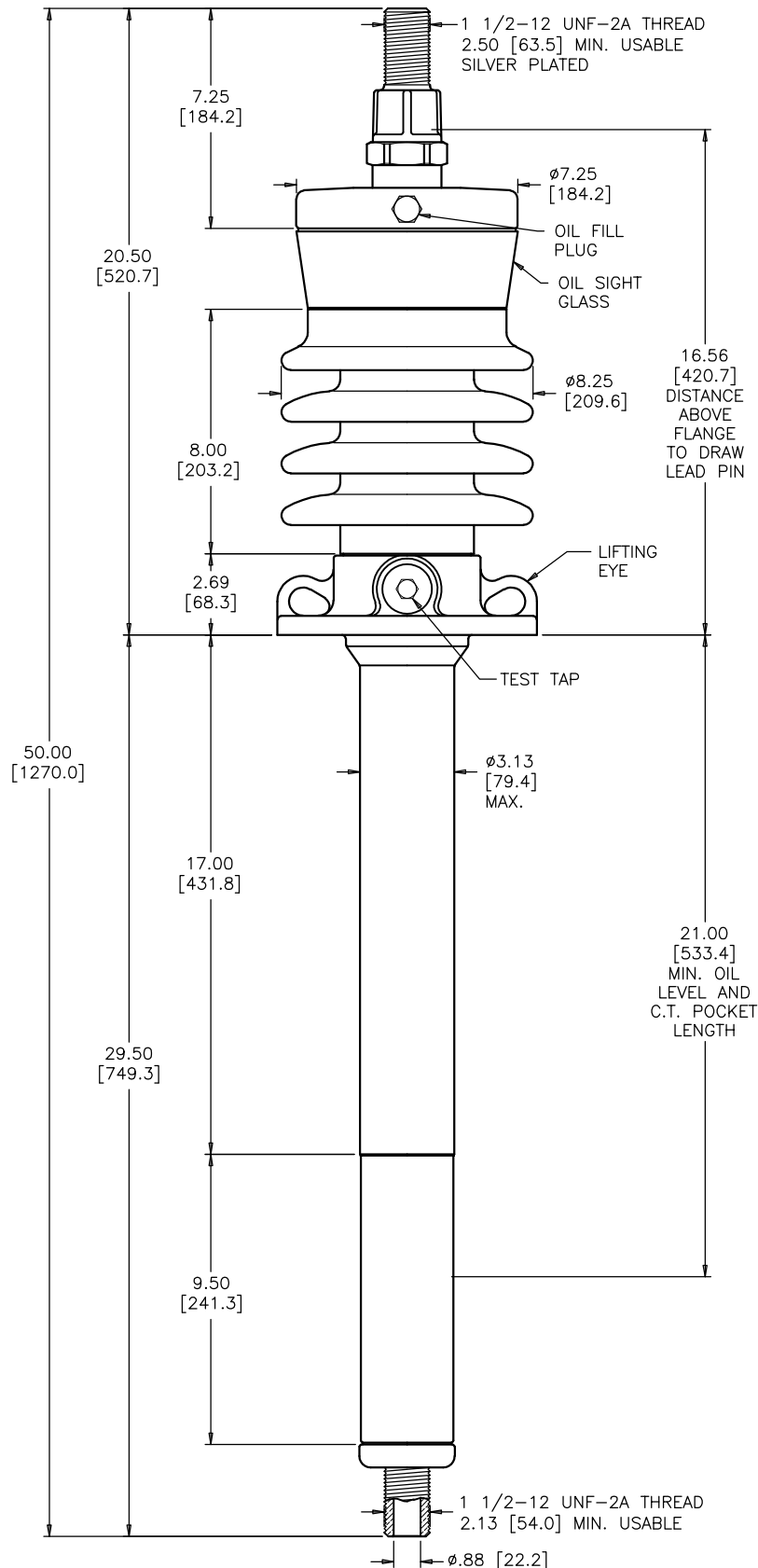
**CREEP/L-G** 1.35 [34.3] **STD.** IEEE C57.19.00/01

PCB CONTENT OF OIL IS LESS THAN 1 ppm

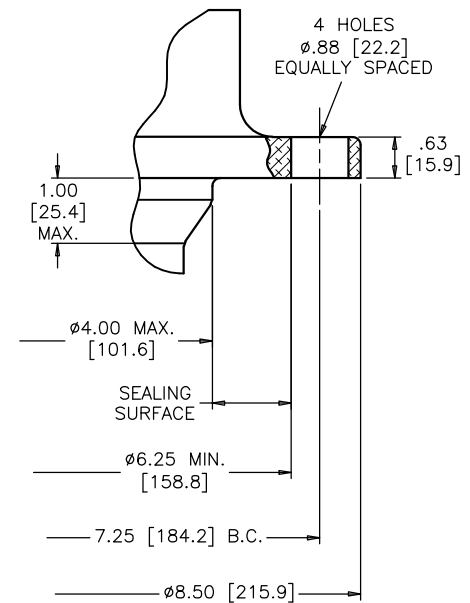
**TITLE**

POC BUSHING

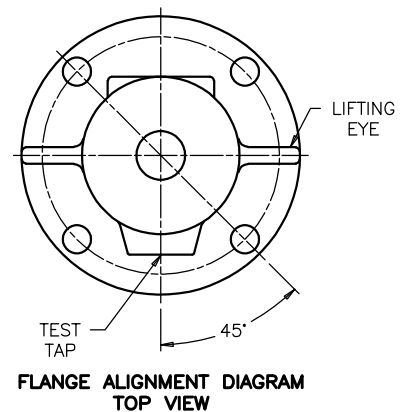
NOTE: ACTUAL DRAW-LEAD CURRENT RATING IS DETERMINED BY CABLE SIZE



**DRAW LEAD ASSEMBLY**



**MOUNTING FLANGE DETAIL**



DIMENSIONS IN INCHES [MILLIMETERS]

**REVISION** NET WEIGHT WAS 62 lbs, CORRECTED ROUNDING, CREEP/L-G WAS CREEP/Uy

**SCALE** 1/4

NOTE TO PURCHASER: ALL SALES OF PCORE PRODUCTS ARE SUBJECT TO OUR STANDARD TERMS AND CONDITIONS AND THE LIMITED WARRANTIES THEREUNDER