



PCORE
ELECTRIC

KV CLASS 46 kV **BIL** 250 kV **Uy** 29 kV

CURRENT RATING
1200 AMP BOTTOM CONNECTION

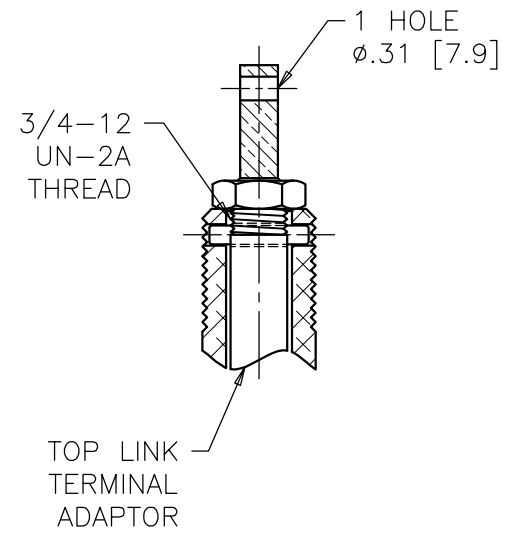
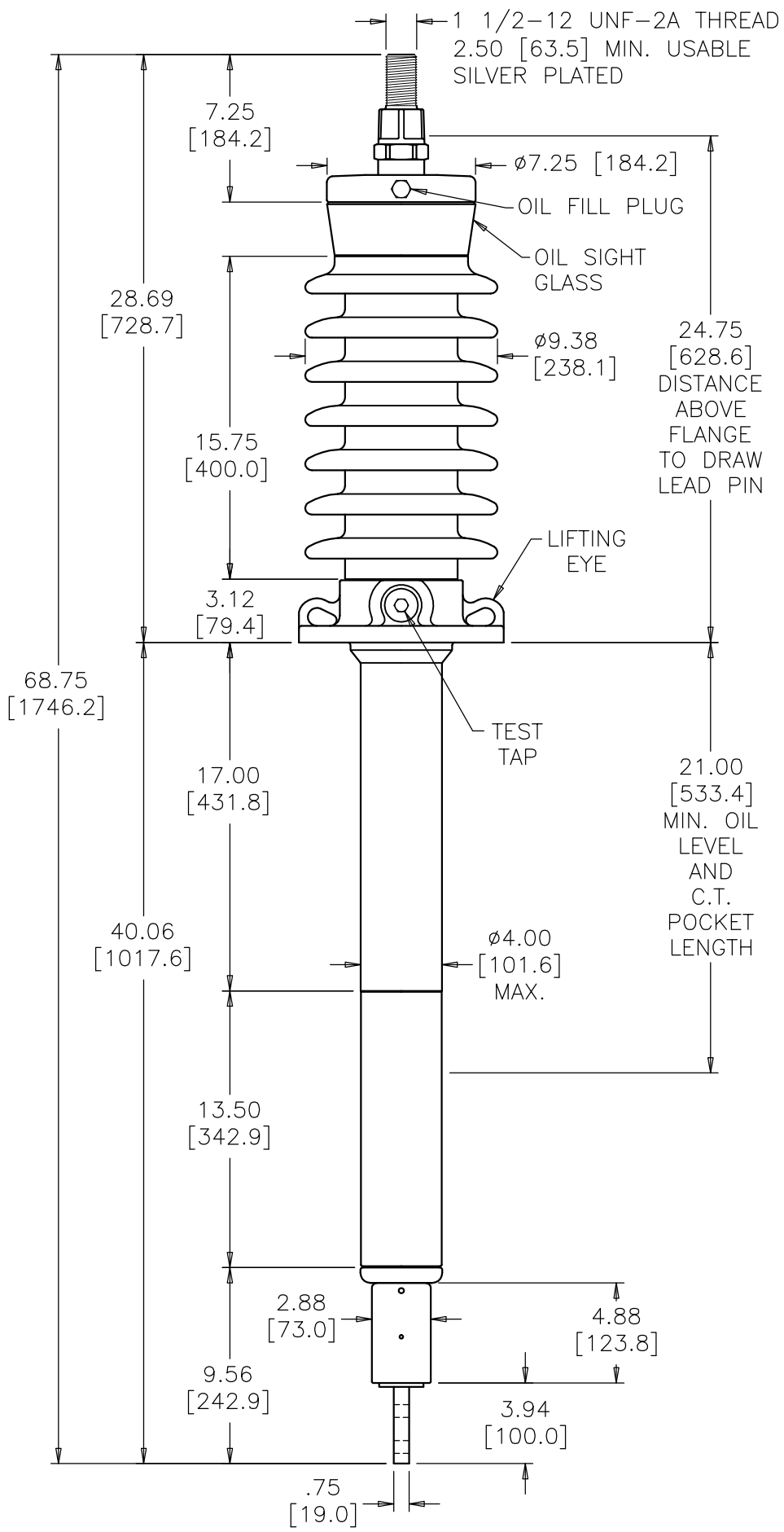
DWG.	CATALOG NUMBER	GLAZE COLOR
SD	B88913-200	BROWN
SD	B88913-200-70	LT. GRAY

DATE	REV. DATE
7-15-03	1-14-11

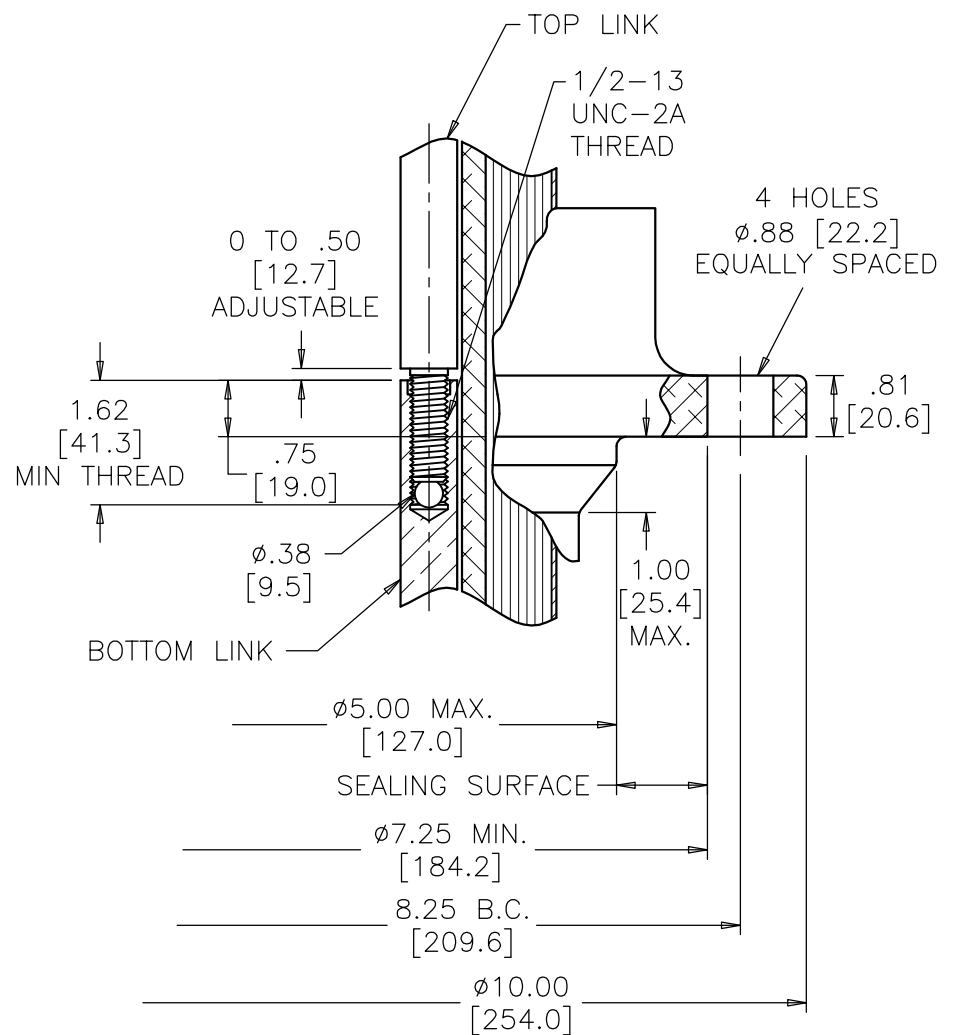
MAXIMUM ALTITUDE	10000 ft [3000 m]
NET WEIGHT	132 lb [60 kg]
ANGLE OF INCLINATION FROM THE VERTICAL	0° TO 60°

MIN. CREEP	37.50 [952.5]	MIN. STRIKE	18.00 [457.2]
CREEP/Uy	1.29 [32.8]	STD.	IEEE C57.19.00/01
PCB CONTENT OF OIL IS LESS THAN 1 ppm			

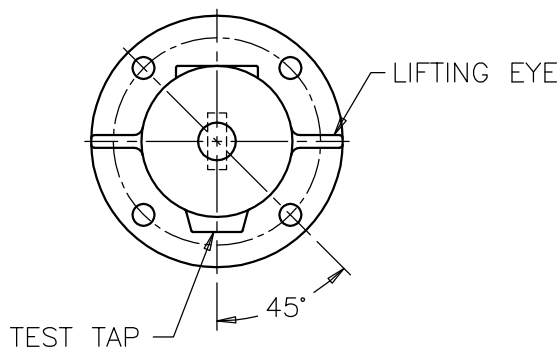
TITLE
POC BUSHING
QUICK LINK BOTTOM CONNECTION
JOINT .75 [19.0] ABOVE
FLANGE MOUNTING SURFACE
UNPLATED BOTTOM TERMINAL



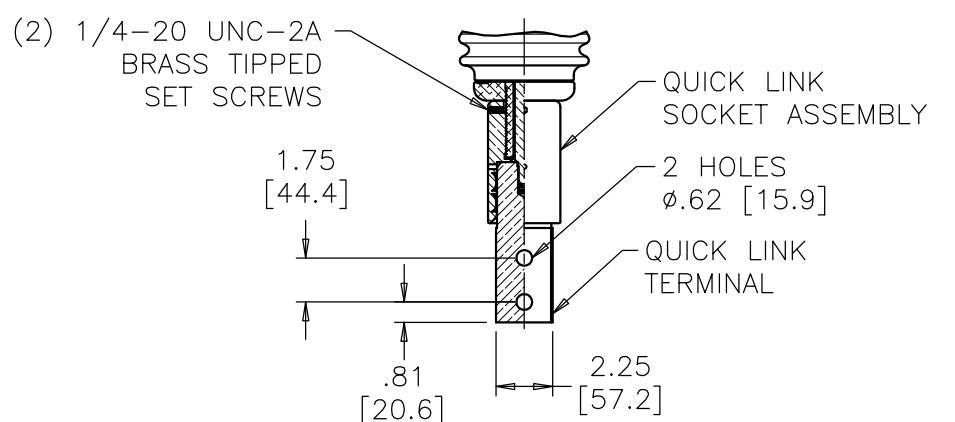
TOP LINK TERMINAL DETAIL



MOUNTING FLANGE DETAIL



**FLANGE ALIGNMENT DIAGRAM
TOP VIEW**



BOTTOM TERMINAL DETAIL

DIMENSIONS IN INCHES [MILLIMETERS]

REVISION MAXIMUM ALTITUDE WAS 3300 ft, REMOVED °C, TEMPERATURE GOVERNED BY IEEE STANDARDS, PCORE WAS LAPP

SCALE 1/8

NOTE TO PURCHASER:
ALL SALES OF PCORE PRODUCTS ARE SUBJECT
TO OUR STANDARD TERMS AND CONDITIONS
AND THE LIMITED WARRANTIES THEREUNDER