



PCORE
ELECTRIC

KV CLASS 46 kV **BIL** 250 kV **Uy** 29 kV

CURRENT RATING

3000 AMP BOTTOM CONNECTION

DWG. **CATALOG NUMBER** **GLAZE COLOR**

SD B-88932 BROWN

SD B-88932-70 LT. GRAY

TITLE

POC BUSHING

DATE 11-22-71 **REV. DATE** 5-10-16

MAXIMUM ALTITUDE 10000 ft [3000 m]

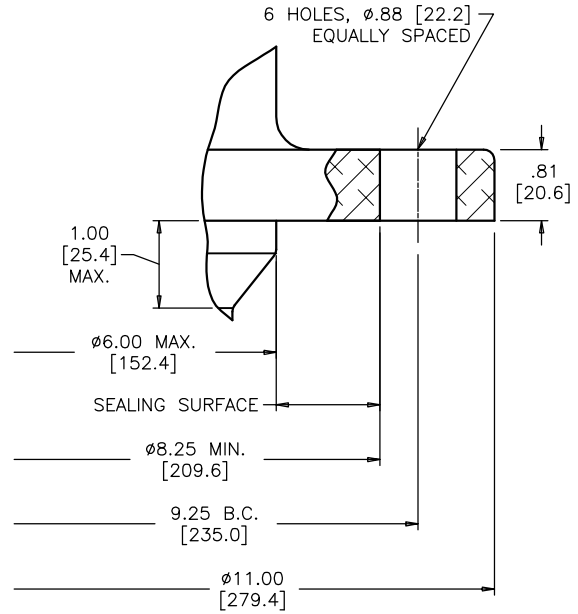
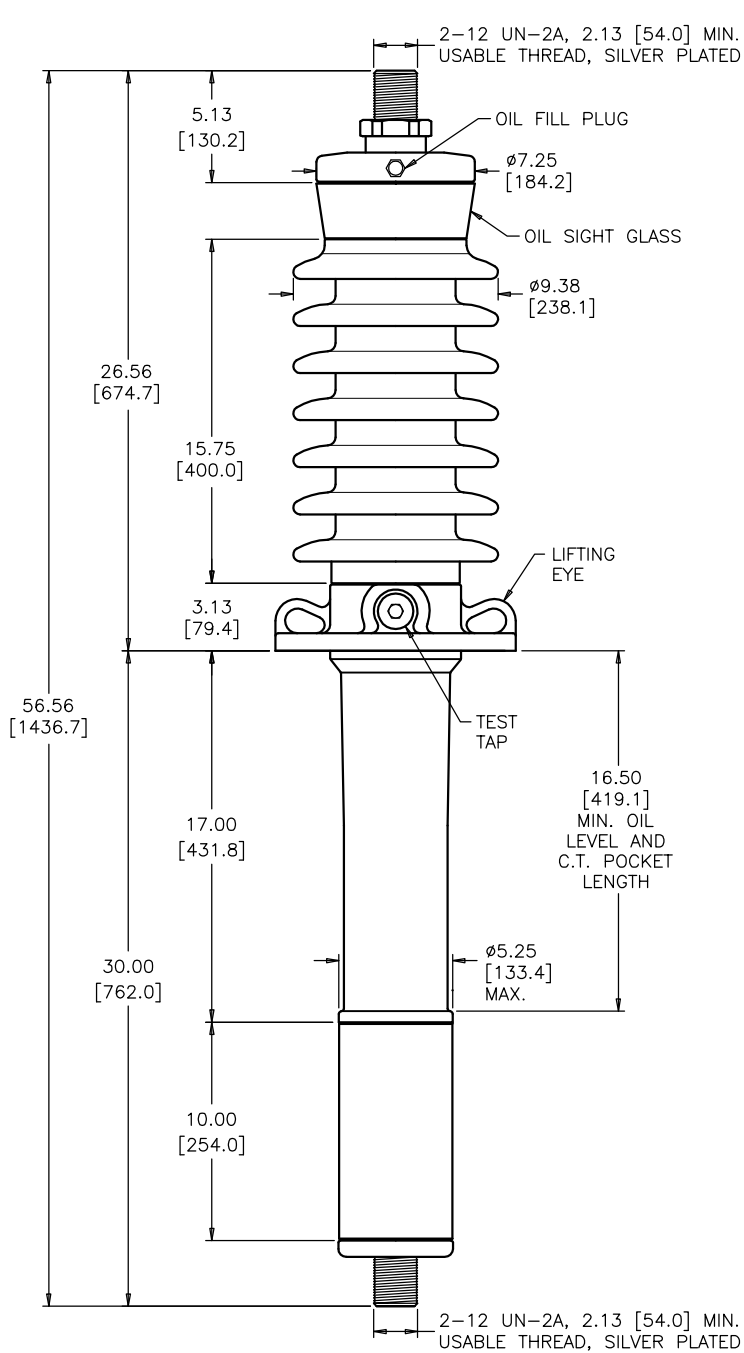
NET WEIGHT 132 lb [60 kg]

ANGLE OF INCLINATION FROM THE VERTICAL 0° TO 60°

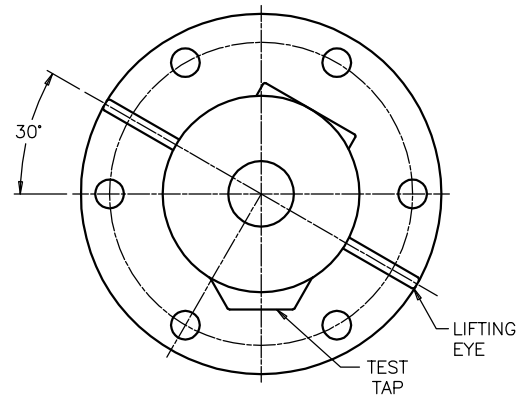
MIN. CREEP 37.50 [952.5] **MIN. STRIKE** 18.00 [457.2]

CREEP/L-G 1.41 [35.9] **STD.** IEEE C57.19.00/01

PCB CONTENT OF OIL IS LESS THAN 1 ppm



MOUNTING FLANGE DETAIL



FLANGE ALIGNMENT DIAGRAM TOP VIEW

DIMENSIONS IN INCHES [MILLIMETERS]

REVISION UPDATED FORMAT, BOTTOM PORCELAIN WAS NECKED DESIGN, CREEP/L-G WAS CREEP/Uy

SCALE 1/6

NOTE TO PURCHASER:
ALL SALES OF PCORE PRODUCTS ARE SUBJECT TO OUR STANDARD TERMS AND CONDITIONS AND THE LIMITED WARRANTIES THEREUNDER